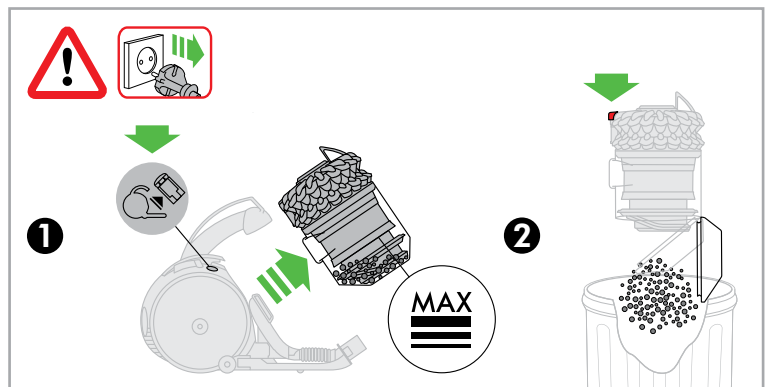
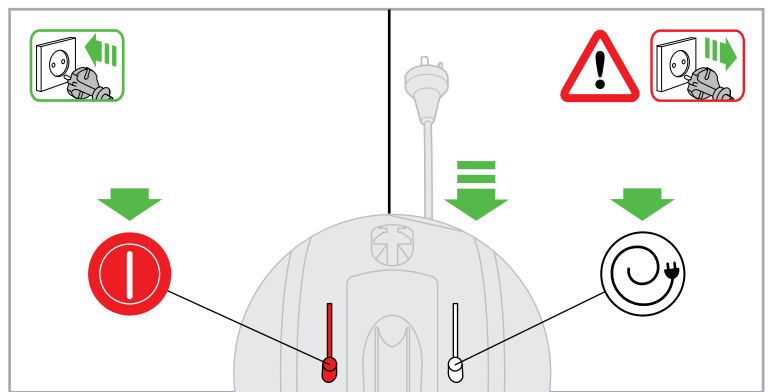
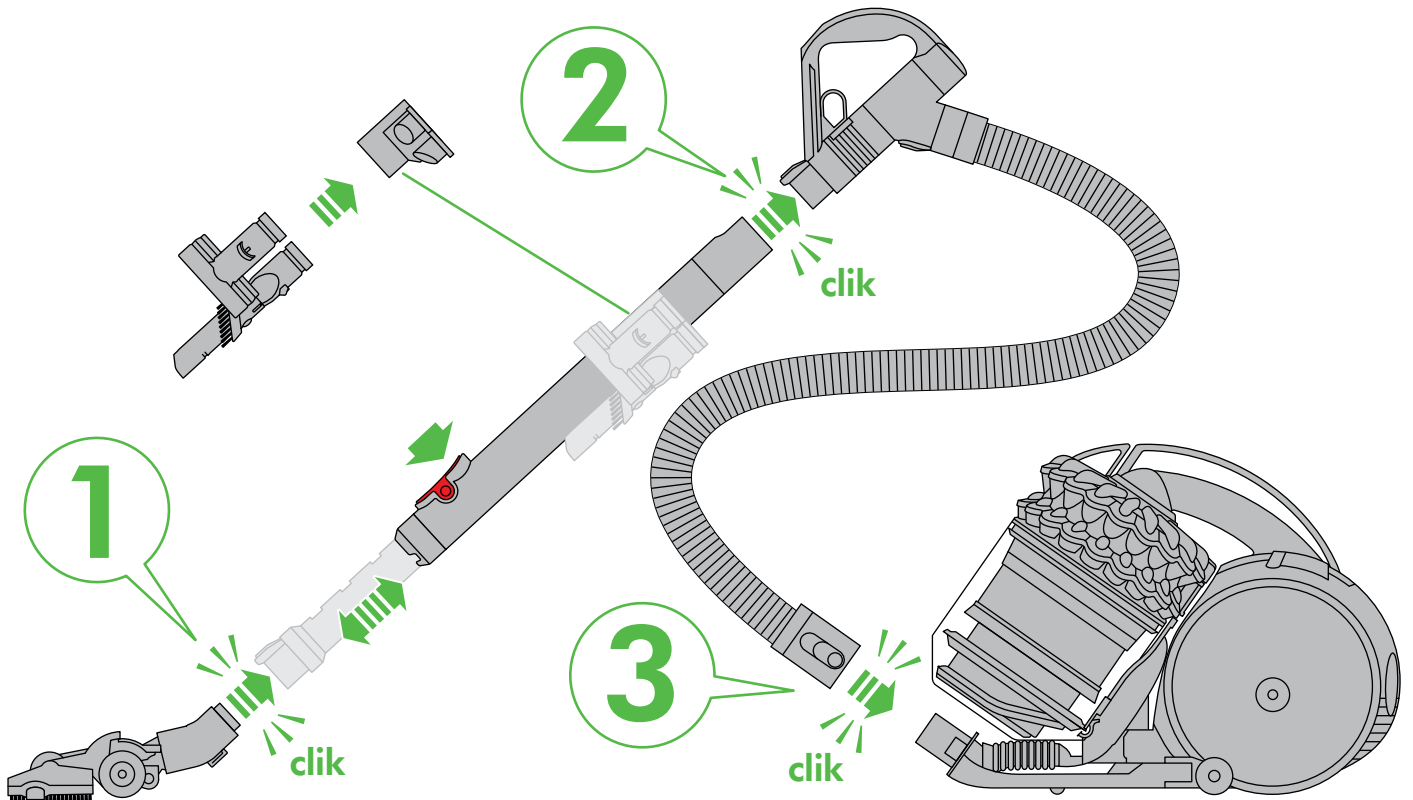


OPERATING MANUAL

Manuel d'utilisation
 Bedienungsanleitung
 Handleiding
 Manual de instrucciones
 Manuale d'uso
 Руководство по эксплуатации
 Priročnik za uporabo

DC
52

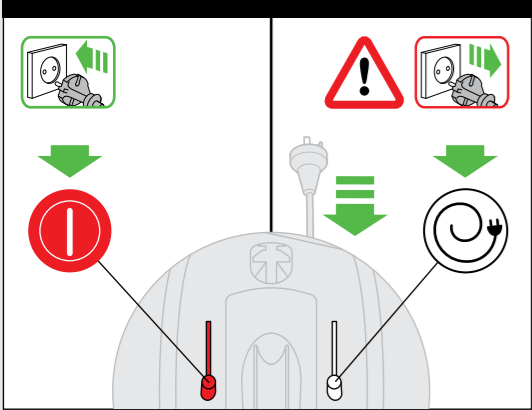


**REGISTER YOUR
 GUARANTEE TODAY**

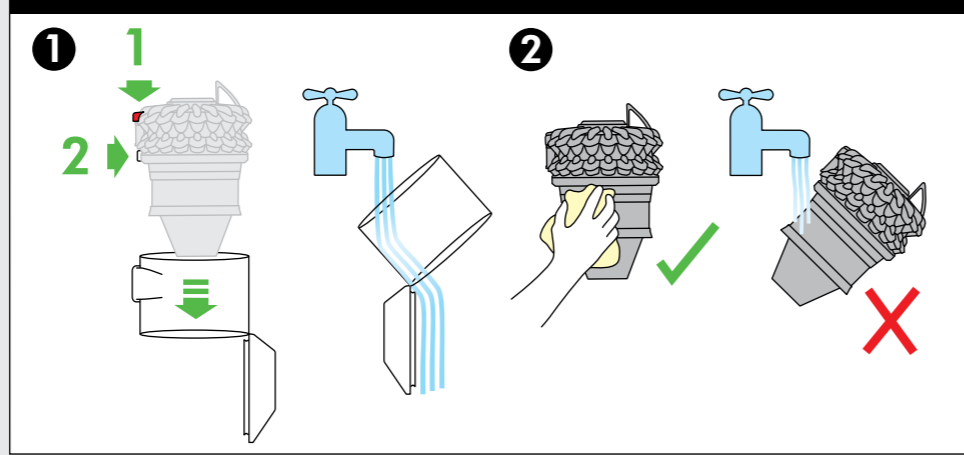
Enregistrez maintenant votre garantie
 Registrieren Sie am besten noch heute Ihre Garantie
 Registreer uw garantie vandaag
 Registre la garantía hoy mismo
 Registrare oggi stesso la garanzia
 Зарегистрируйте Вашу гарантию сегодня
 Registrirajte vašo garancijo še danes



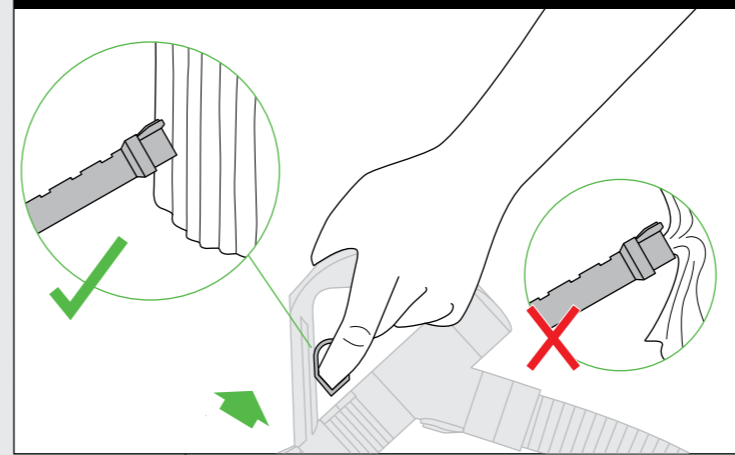
Power & cable. Mise en marche et câble. Ein-/Aus-Schalter & Kabelaufwicklung. Aan/uit knop en snoer. Encendido y recogecables. Accensione e cavo. ВКЛ/ВЫКЛ устройства и кнопка смотки сетевого шнура. Stikalo za vklop/izklop in stikalo za kabel.



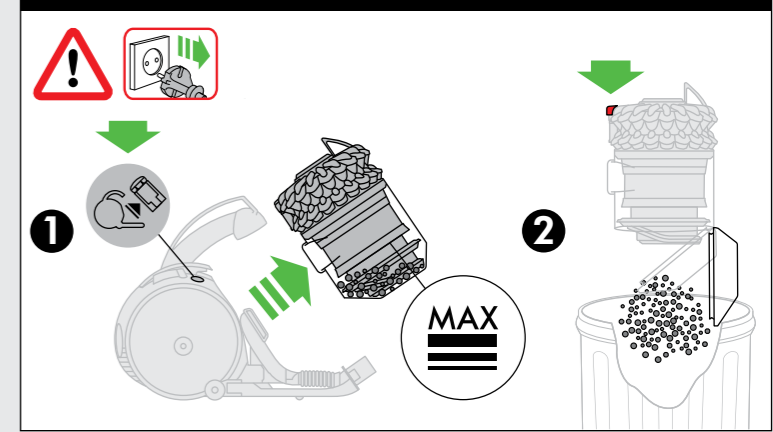
Cleaning the clear bin. Nettoyage du collecteur transparent. Reinigen des durchsichtigen Behälters. Het doorzichtige stofreservoir reinigen. Limpieza del cubo transparente. Pulizia del contenitore trasparente. Очистка прозрачного контейнера. Čišćenje zbirnika smeti.



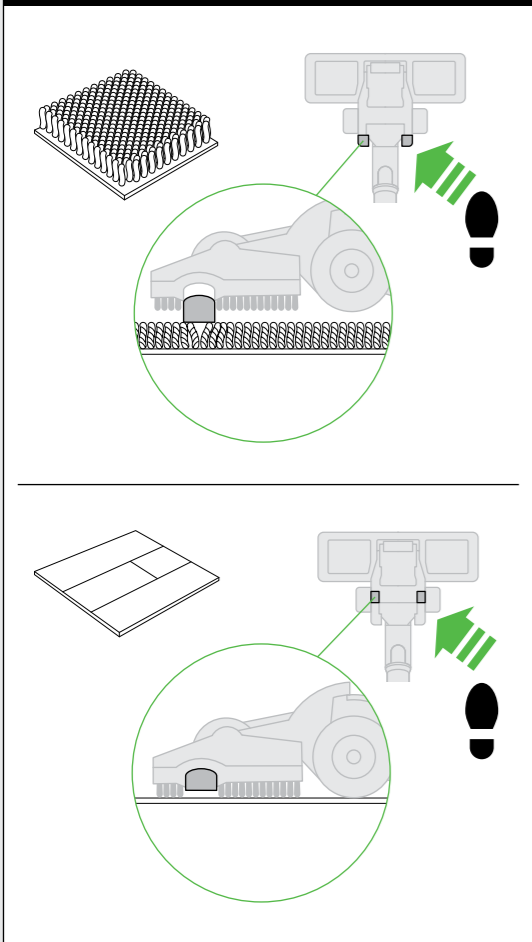
Suction release. Régulation de l'aspiration. Saugkraftregulierung. Zuigkrachtregelaar. Gatillo reductor de succión. Rilascio dell'aspirazione. Кнопка понижения мощности всасывания. Sprostitev moči sesanja.



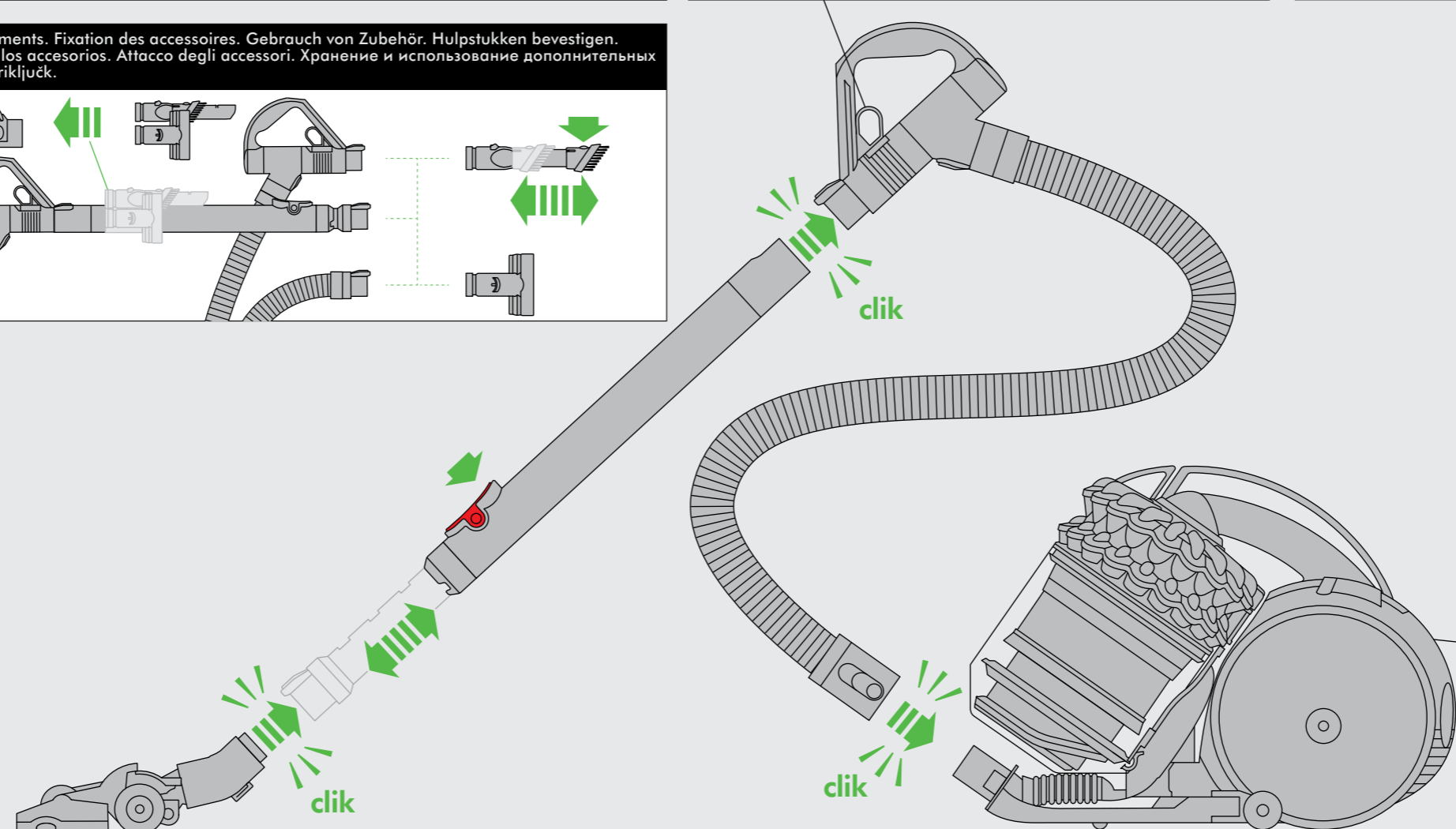
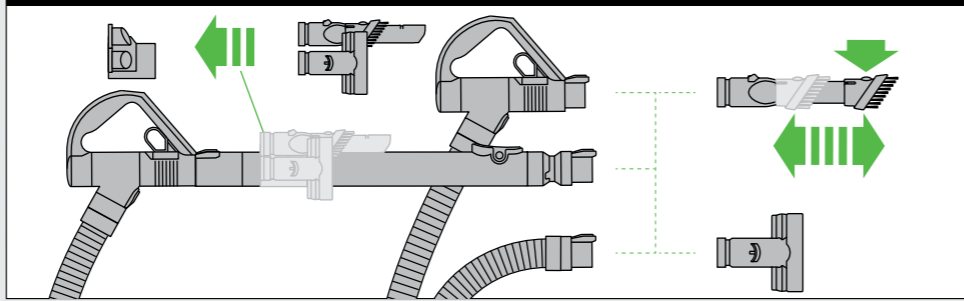
Emptying the clear bin. Vidage du collecteur transparent. Behälterentleerung. Het doorzichtige stofreservoir leegmaken. Vaciado del cubo transparente. Come svuotare il contenitore trasparente. Опустошение контейнера. Praznjenje zbirnika smeti.



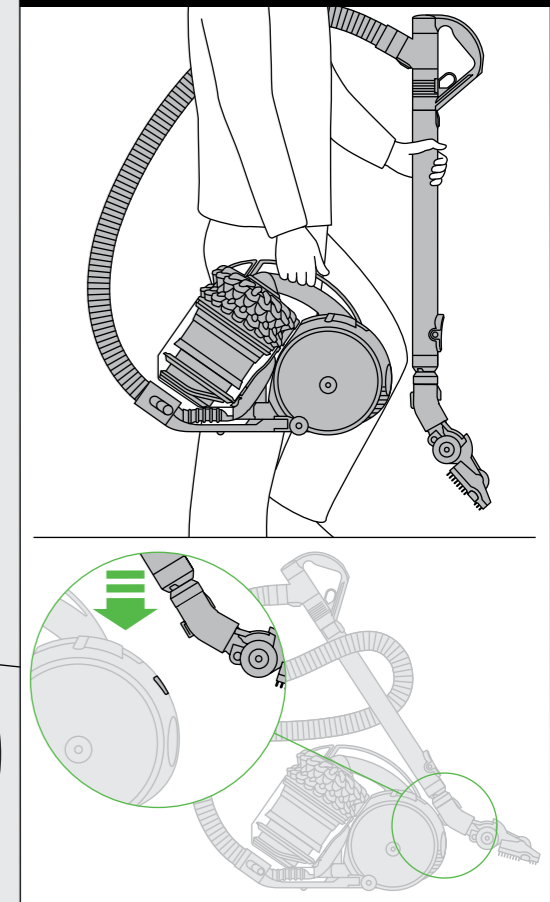
Floor tool. Brosse. Bodendüse. Vloerzuigmond. Серпillo. Spazzola. Переключение режимов универсальной насадки. Кртаča



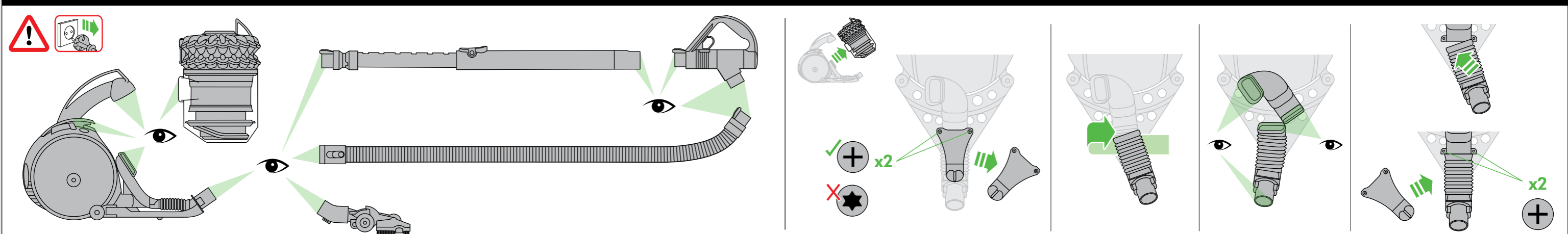
Tool attachments. Fixation des accessoires. Gebrauch von Zubehör. Hulpstukken bevestigen. Fijación de los accesorios. Attacco degli accessori. Хранение и использование дополнительных насадок. Priključak.



Carrying & storage. Transport & rangement. Transport & Aufbewahrung. Dragen & opslag. Transporte y almacenamiento. Trasporto e stoccaggio. Переноска & хранение. Nošenje & hranjenje.



Looking for blockages. Vérification de l'absence d'obstructions. Blockierungen entfernen. Controleren op blokkades. Eliminación de obstrucciones. Ricerca di ostruzioni. Поиск засоров. Iskanje blokad.





TO REGISTER YOUR FREE 5 YEAR GUARANTEE PLEASE CONTACT YOUR LOCAL DYSON EXPERT ON THE NUMBER LISTED BELOW. ON-LINE REGISTRATION IS AVAILABLE IN MOST AREAS.

Dyson Customer Care

If you have a question about your Dyson appliance, call the Dyson Customer Care Helpline with your serial number and details of where and when you bought the appliance, or contact us via the Dyson website.

UK

Dyson Customer Care
askdyson@dyson.co.uk
0800 298 0298
Dyson Ltd, Tetbury Hill, Malmesbury, Wiltshire, SN16 0RP

ROI

Dyson Customer Care
askdyson@dyson.co.uk
01 475 7109
Dyson Ireland Limited, Unit G10, Grants Lane, Greenogue Business Park, Rathcoole, Dublin 24

AT

Dyson Kundendienst
kundendienst-austria@dyson.com
0810 333 976
(Zum Ortstarif - aus ganz Österreich) Dyson Kundendienst, Holzmanngasse 5, 1210 Wien

BE

Service Consommateurs Dyson
Dyson Helpdesk
helpdesk.benelux@dyson.com
078 15 09 80
Dyson BV, Keizersgracht 209, 1016DT Amsterdam, Nederland/
Pays-Bas

CH

Service Consommateurs Dyson
Dyson Kundendienst
switzerland@dyson.com
0848 807 907
Dyson SA, Hardturmstrasse 253, CH-8005 Zürich

CY

Εξυπηρέτηση Πελατών της Dyson
24 53 2220
Thetaco Traders Ltd., Tapeinoseos 6, Aradhippou Industrial Estate, Larnaka 7100, Cyprus, PO Box 41070

CZ

Linka pomoci společnosti Dyson
servis@solight.cz
491 512 083
Solight Holding, s.r.o., Svatoplukova 47, 796 01 Prostějov

DE

Dyson Kundendienst
kundendienst@dyson.de
0800 31 31 31 8
Dyson Servicecenter - DVG -, Birkenmaastr. 50, 53340 Meckenheim

DK

Witt A/S
dyson.service@witt.dk
0045 7025 2323
Gødstrup Søvej 9, 7400 Herning, Denmark

ES

Servicio de atención al cliente Dyson
asistencia.cliente@dyson.com
902 30 55 30
Velázquez 140 3ª planta, 28006 Madrid

FI

Dyson asiakaspalvelu
dyson@suomensahkotuonti.fi
020 741 1660
Suomen Sähkötuonti Oy, Elimäenkatu 29, 00510 Helsinki

FR

Service Consommateurs Dyson
service.conso@dyson.com
01 56 69 79 89
Dyson France, 64 rue La Boétie, 75008 Paris

GR

ΒΑΣΙΛΗΑΣ ΑΕ
dyson@vassilias.gr
800 111 3500
Κελετσέκη 8 (Παράπλευρος Κηφισού) 111 45 Αθήνα

HU

Momenti kft.
info@momenti.hu
+36 70 331 4899
1092 Budapest, Köztelek utca 2

IT

Assistenza Clienti Dyson
assistenza.clienti@dyson.com
848 848 717
Dyson srl, Via Tazzoli, 6 20154 Milano

NL

Dyson Helpdesk
helpdesk.benelux@dyson.com
020 521 98 90
Dyson BV, Keizersgracht 209, 1016DT Amsterdam

NO

Witt A/S
dyson.service@witt.dk
0045 7025 2323
Gødstrup Søvej 9, 7400 Herning, Denmark

PL

Dyson Serwis Centralny Klienta
service.dyson@aged.com.pl
022 738 31 03
Aged Co.Ltd., ul. 3 Maja 8, 05-800 Pruszków, Polska

PT

Serviço de assistência ao cliente Dyson
asistencia.cliente@dyson.com
00 800 02 30 55 30
Velázquez 140 3ª planta, 28006 Madrid

RU

Информационная и техническая поддержка:
info.russia@dyson.com
8-800-100-100-2
Адрес для почтовых отправлений: 123001, Москва, Большая Садовая 10, ООО "ДАЙСОН".

SE

Witt A/S
dyson.service@witt.dk
0045 7025 2323
Gødstrup Søvej 9, 7400 Herning, Denmark

SI

Steelplast d.o.o.
info@steelplast.si
386 4 537 66 00
Otoče 9/A, SI-4244, Podnart, Slovenija

TR

Dyson Danışma Hattı
info@hakman.com.tr
0 212 288 45 46
Hakman Elektronik Ltd. Şti. Barbaros Bulvarı Manolya apartmanı No: 50/11 34349 Balmumcu, İstanbul

UA

Chysty Svet Lodgistic Ltd
0 800 50 41 80
21 Moscovskiy Av, Kiev - 04655 Ukraine

ZA

Dyson Customer Care
help@creativehousewares.co.za
086 111 5006
P.O. Box 6156, Parow east, 7501, South Africa