

EN	Instruction manual	3
UK	Інструкція з експлуатації.....	14
RU	Руководство по эксплуатации...	25

Before operating this oven, please read these instructions completely.

SPECIFICATIONS

Power consumption:230 V ~ 50 Hz, 1080W
Output:700W
Operating Frequency:2450 MHz
Outside Dimensions:.....454 mm (L) x 330 mm (W) x 262 mm (H)
Oven Cavity Dimensions:.....315 mm (L) x 296 mm (W) x 211 mm (H)
Oven Capacity:20 litres
Cooking Uniformity:..... Turntable system (ø245 mm)
Uncrated Weight:Approx. 10,5 kg
Noise level:..... Lc < 58 dB(A)

This appliance is marked according to the European directive 2002/96/EC on Waste Electrical and Electronic Equipment (WEEE).

This guideline is the frame of a European-wide validity of return and recycling on Waste Electrical and Electronic Equipment.

BEFORE YOU CALL FOR SERVICE

1. If the oven will not perform at all, the display does not appear or the display disappeared:
 - a) Check to ensure that the oven is plugged in securely. If it is not, remove the plug from the outlet, wait 10 seconds and plug it in again securely.
 - b) Check the premises for a blown circuit fuse or a tripped main circuit breaker. If these seem to be operating properly, test the outlet with another appliance.
2. If the microwave power will not function:
 - a) Check to see whether the timer is set.
 - b) Check to make sure that the door is securely closed to engage the safety interlocks. Otherwise, the microwave energy will not flow into the oven.

IF NONE OF THE ABOVE RECTIFY THE SITUATION, THEN CONTACT THE NEAREST AUTHORIZED SERVICE AGENT.

RADIO INTERFERENCE

Microwave oven may cause interference to your radio, TV, or similar equipment. When interference occurs, it may be eliminated or reduced by the following procedures.

- a) Clean the door and sealing surface of the oven.
- b) Place the radio, TV, etc. as far away from your microwave oven as possible.
- c) Use a properly installed antenna for your radio, TV, etc. to get a strong signal reception.

INSTALLATION

1. Make sure all the packing materials are removed from the inside of the door.
2. Inspect the oven after unpacking for any visual damage such as:
 - Misaligned Door
 - Damaged Door
 - Dents or Holes in Door Window and Screen
 - Dents in Cavity
 - If any of the above are visible, DO NOT use the oven.
3. This Microwave Oven weighs 10,5 kg and must be placed on a horizontal surface strong enough to support this weight.
4. The oven must be placed away from high temperature and steam.
5. DO NOT place anything on top of the oven.
6. Keep the oven at least 8 cm away from both sidewalls and 10 cm away from rear wall to ensure the correct ventilation.
7. DO NOT remove the turn -table drive shaft.
8. As with any appliance, close supervision is necessary when used by children.

WARNING - THIS APPLIANCE MUST BE EARTHED.

The plug socket should be within easy reach of the power cord

This oven requires 1.1 KVA for its input, consultation with service engineer is suggested when installing the oven.

CAUTION: This oven is protected internally by a 250V 8 Amp Fuse.

IMPORTANT - The wires in this mains lead are colored in accordance with the following code:

Green-and-yellow	Earth
Blue	Neutral
Brown	Live

As the colors of the wires in the mains leads of the appliance may not correspond with the colored markings identifying the terminals in your plug, proceed as follows:

The wire which is colored green-and-yellow must be connected to the terminal in the plug which is marked with the letter **E** or by the earth symbol colored green of green-and-yellow.

The wire which is colored blue must be connected to the terminal which is marked with the letter **N** or colored black. The wire which is colored brown must be connected to the terminal which is marked with the letter **L** or colored red.

IMPORTANT INSTRUCTIONS

WARNING-To reduce the risk of burns, electric shock, fire, injury to persons or excessive microwave energy:

This appliance is not intended for use by persons (including children) with reduced physical, sensory or mental capabilities, or lack of experience and knowledge, unless they have been given supervision or instruction concerning use of the appliance by a person responsible for their safety. Children should be supervised to ensure that they do not play with the appliance.

1. Read all instructions before using microwave oven.
2. Some products such as whole eggs and sealed containers - (for example, closed glass jars and sealed baby bottles with teat) - may explode and should not be heated in microwave oven, Refer to cookbook for more details.
3. Use this microwave oven only for its intended use as described in this manual.
4. As with any appliance, close supervision is necessary when used by children.
5. Do not operate this microwave oven, if it is not working properly or if it has been damaged or dropped.
6. To reduce the risk of fire in the oven cavity:
 - a) Do not overcook food. Carefully attend microwave oven if paper, plastic, or other combustible materials are placed inside the oven to facilitate cooking.
 - b) Remove wire twist-ties from bags before placing bag in oven.
 - c) If materials inside the oven should ignite, keep oven door closed, turn the oven off at the wall switch, or shut off power at the fuse or circuit breaker panel.

SAFETY INSTRUCTIONS FOR GENERAL USE

Listed below are, as with all appliances, certain rules to follow and safeguards to assure top performance from this oven:

1. Always have the glass tray, roller arms, coupling and roller track in place when operating the oven.
2. Do not use the oven for any reason other than food preparation, such as for drying clothes, paper, or any other non-food items, or for sterilizing purposes.
3. Do not operate the oven when empty. This could damage the oven.
4. Do not use the oven cavity for any type of storage, such a papers, cookbooks, etc.

5. Do not use the oven for home canning, Microwave ovens are not designed to permit proper canning.
Improperly canned food may spoil and be dangerous to consume.
6. Do not cook eggs in the shell, as they will burst.
Occasionally a poached egg may burst during cooking. Be sure to cook covered and let stand one minute after cooking before removing the cover.
7. Do not cook any food surrounded by a membrane, such as egg yolks, potatoes, chicken livers, etc without first being pierced several times with a fork.
8. Do not insert any object into the openings on the outer case.
9. Do not at any time remove parts from the oven such as the feet, coupling, screws, etc.
10. Do not cook food directly on the glass tray. Place food in/on proper cooking utensil before placing in the oven.

IMPORTANT - COOKWARE NOT TO USE IN YOUR MICROWAVE OVEN

- Do not use metal pans or dishes with metal handles.
- Do not use anything with metal trim.
- Do not use paper covered wire twist-ties on plastic bags.
- Do not use melamine dishes as they contain a material which will absorb microwave energy. This may cause the dishes to crack or char and will slow down the cooking speed.
- Do not use Centura Tableware. The glaze is not suitable for microwave use. Corelle Living ware closed handle cups should not be used.
- Do not cook in a container with a restricted opening, such as a pop bottle or salad oil bottle, as they may explode if heated in a microwave oven.
- Do not use conventional meat or candy thermometers. There are the thermometers available specifically for microwave cooking. These may be used.

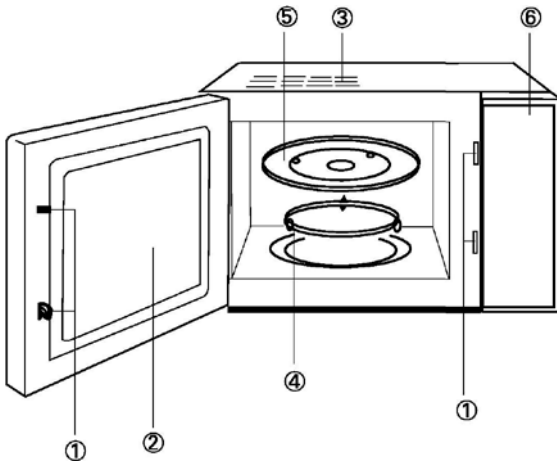
11. Microwave utensils should be used only in accordance with manufacturer's instructions.
12. Do not attempt to deep-fry foods in this oven.
13. Please remember that a microwave oven only heats the liquid in a container rather than the container itself. Therefore, even though the lid of a container is not hot to the touch when removed from the oven, please remember that the food/liquid inside will be releasing the same amount of steam and/or spitting when the lid is removed as in conventional cooking.
- 10,5. Always test the temperature of cooked food yourself especially if you are heating or cooking food/liquid for babies. It is advisable never to consume food/liquid straight from the oven but allow it to stand for a few minutes and stir food/liquid to distribute heat evenly.
15. Food containing a mixture of fat and water, e.g. stock, should stand for 30-60 seconds in the oven after it has been turned off. This is to allow the mixture to settle and to prevent bubbling when a spoon is placed in the food/liquid or a stock cube is added.

16. When preparing/cooking food/liquid and remember that there are certain foods, e.g. Christmas puddings, jam and mincemeat, which heat up very quickly.

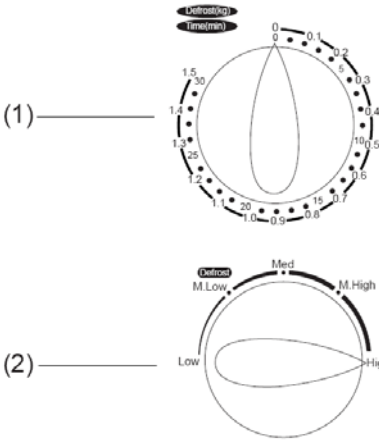
When heating or cooking foods with a high fat or sugar content do not use plastic containers.

17. Cooking utensil may become hot because of heat transferred from the heated food. This is especially true if plastic wrap has been covering the top and handles of the utensil. Potholders may be needed to handle the utensil.

CONTROL PANEL



- 1 Door Safety lock system
- 2 Oven window
- 3 Oven Air Vent
- 4 Roller Ring
- 5 Glass Tray
- 6 Control Panel



- 1 Timer 0-30 Minutes
- 2 Power Select Control

QUICK LOOK UP GUIDE

1. Place the food in the oven. Select the power level by rotating the **Cooking Power Control** knob.
2. Select the cooking time by rotating the **Timer** knob.

If you want to defrost some food

1. Turn the **cooking power control** knob to "★".
2. Turn the **timer** knob to select the appropriate time.

HOW A MICROWAVE OVEN WORKS

Microwaves are high-frequency electromagnetic waves; the energy released enables food to be cooked or reheated without changing either the form or the color.

You can use your microwave oven to:

- Defrost
- Instant reheat
- Cook

Cooking Principle

1. The microwaves generated by the magnetron are distributed uniformly as the food rotates on the turntable. The food is thus cooked evenly.
2. The microwaves are absorbed by the food up to a depth of about 1 inch (2.5 cm). Cooking then continues as the heat is dissipated within the food.

3. Cooking times vary according to the receptacle used and the properties of the food.
 - Quantity and density.
 - Water Content
 - Initial temperature (refrigerated or not)

As the centre of the food is cooked by heat dissipation, cooking continues even when you have taken the food out of the oven. Standing times specified in recipes and in this booklet must therefore be respected to ensure:

- Even cooking of the food right to the centre
- The same temperature throughout the food

CHECKING THAT YOUR MICROWAVE OVEN IS OPERATING CORRECTLY

1. First place a bowl of water on the turntable.
2. Set the power level to high by turning Cooking Power Control knob.
3. Set the time to 4-5 minutes by turning the Timer knob. The oven must be plugged into an appropriate wall socket. The turntable must be in position in the oven. If a power level other than the maximum is used, the water takes longer to boil.

WHAT TO DO IF YOU ARE IN DOUBT OR IF YOU HAVE A PROBLEM

If you experience any of the problems listed below, please try the solutions offered.

- This is normal:
Condensation in the oven
Air flow around the door and outer casing
Light reflected around the door and outer casing
Steam escaping from around the door or vents.
- The oven does not start when you turn the timer knob
Is the door completely closed? The food is not cooked at all
Have you set the timer correctly.
Is the door closed
Have you overloaded the electric circuit and caused a fuse to blow or a circuit breaker to be triggered
- The food is either overcooked or under-cooked
Was the appropriate cooking time set for the food
Was an appropriate power level chosen
- Sparking and crackling occur inside the oven (arcing)
Have you used a dish with metal trimmings
Have you left a fork or other metal utensil inside the oven
Is aluminium foil too close to the inside walls.
- The oven causes interference with radios or televisions
Slight interference may be observed on televisions or radios when the oven is operating. This is normal, and to solve the problem, install the oven away from televisions, radios and aerials.

POWER LEVELS	
High	700Watt
Medium High	539Watt
Medium	385Watt
Medium Low	252Watt
Low	119Watt
Defrost	252Watt

COOKING/REHEATING

The following procedure explains how to cook or reheat food. ALWAYS check your cooking settings before leaving the oven unattended.

First place the food in the centre of the turntable. Close the door.

1. Set the power level to high by turning Cooking Power Control knob. (Maximum power: 700 Watt)
2. Set the time by turning Timer knob. Result: The oven light comes on and the turntable starts rotating.

NEVER SWITCH THE MICROWAVE OVEN ON WHEN IT IS EMPTY.

You can change the power level during cooking ,by turning the cooking power control knob.

STOPPING THE COOKING

1. To stop temporarily; Open the door. Result: Cooking stops. To resume cooking close the door.
2. To stop completely: turn the Timer knob to "0".

ADJUSTING THE COOKING TIME

1. Adjust the remaining cooking time by rotating the Timer knob.

MANUAL DEFROSTING OF FOOD

The defrost feature enables you to defrost meat, poultry and fish first place the frozen food in the centre of the turntable and close the door.

1. Turn the Cooking Power Control knob to defrost.
2. Turn the Timer knob to select the appropriate time. Result: Defrosting begins.

COOK-WARE GUIDE

COOK-WARE	MICROWAVE SAFE	COMMENTS
Aluminium Foil	Safe with care, see comments	Can be used in small quantities to protect area's of food against over cooking. Arcing can occur if too much foil is used or if foil is to close to oven walls
Browning Plate	Yes	Do not preheat for more than 8 minutes
China and Earthenware	Yes	Usually suitable unless decorated with a metal trim
Disposable Polyester and cardboard dishes	Yes	Some frozen foods are packed in these containers
Fast Food Packaging	Yes	Can be used to warm food, but overheating may cause the polystyrene to melt
Polystyrene Cups	NO	May catch fire
Paper bags/Newspaper	NO	May cause arcing
Recycled paper or metal trims		
Glassware Oven to table ware	Yes	Can be used unless decorated with metal trim
Fine Glassware	Yes	Delicate glass may crack if heated suddenly
Glass Jars	Yes	Must remove the lid, suitable for warming only
Metal dishes	NO	May cause arcing or fire
Freezer Bag	NO	May cause arcing or fire
Ties		
Paper Plates, Cups, Napkins, Kitchen paper	Safe with care, see comments	For short cooking times and warming. Also to be used to absorb excess moisture
Recycled paper	NO	May cause arcing
Plastic Containers	Yes	Heat resistant plastic the most suitable. Other plastics may warp or discolour. DO NOT USE MELAMINE.
Cling Film	Yes	Can be used to retain moisture, should not touch the food, and care should be taken when removing.
Freezer Bags	Safe with care, see comments	Only if boilable or oven proof, should not be airtight always prick bag with a fork.
Wax or Grease PROOF Paper	Yes	Can be used to prevent spattering and to retain moisture.

DEFROSTING

Microwaves are an excellent way of defrosting frozen food. Microwaves gently defrost frozen food in a short period of time. This can be of great advantage, if unexpected guests suddenly turn up.

Frozen poultry must be thoroughly thawed before cooking. Remove any metal ties and take it out of its wrapping, so thawed liquids can drain away.

Put the frozen food on a dish without a cover. Turn over halfway through defrosting, drain away any liquid, and remove giblets etc as soon as possible.

Check the food occasionally to make sure it does not feel warm.

If smaller and thinner parts of the frozen food start to warm up, they can be shielded using small strips of aluminium foil wrapped around them during defrosting.

Should poultry start to warm up on the outer surface, stop thawing and allow it to stand for at least 20 minutes before continuing.

HINT: Flat food defrosts better than thick and smaller quantities need less time than bigger ones. Remember this when home freezing.

CLEANING YOUR MICROWAVE OVEN

The following parts of your microwave oven should be cleaned regularly to prevent grease and food particles from building up:

- Inside and outside surfaces
- Door and door seals
- Turntable and roller rings

Always ensure that the door seals are clean and the door closes

1. Clean the outside surfaces with soft cloth and warm soapy water.
2. Remove any splashes or stains on the inside surfaces and roller ring with a soapy cloth, rinse and dry.
3. To loosen hardened food particles and remove smells, place a cup of diluted lemon juice on the turn table and heat for ten minutes at maximum power.
4. Wash, the dishwasher safe glass turntable, whenever necessary

DO NOT SPILL WATER IN THE VENTS. NEVER USE ANY ABRASIVE PRODUCTS OR CHEMICAL SOLVENTS. TAKE PARTICULAR CARE WHEN CLEANING, DOOR SEALS TO ENSURE THAT NO PARTICLES ACCUMULATE, PREVENTING THE DOOR FROM CLOSING PROPERLY.

Environment

Do not throw away the appliance with the normal household waste at the end of its life, but hand it in at an official collection point for recycling. By doing this, you help to preserve the environment.

Guarantee & service

If you need information or if you have a problem, please contact the Gorenje Customer Care Centre in your country (you find its phone number in the worldwide guarantee leaflet). If there is no Customer Care Centre in your country, go to your local Gorenje dealer or contact the Service department of Gorenje domestic appliances.

For personal use only!

gorenje

**WISHES YOU A LOT OF PLEASURE WHILE USING YOUR
APPLIANCE**

Перед використанням приладу уважно прочитайте інструкцію.

СПЕЦИФІКАЦІЯ

Споживча потужність: 230 В ~ 50Г ц, 1080 Вт
 Вихідна потужність: 700 Вт
 Частота: 2450 МГц
 Розміри приладу зовні: 454 мм(д) X 330 мм(ш) X 262 мм(в)
 Розміри внутрішнього простору приладу: .. 315 мм(д) X 296 мм(ш) X 211 мм(в)
 Об'єм: 20 л
 Рівномірність приготування: система повертання тарілки (Ø245 мм)
 Вага: приблизно 10.5 кг
 Рівень шуму: Lc < 58 дБ (A)

ПЕРЕД ДЗВІНКОМ ДО СЕРВІСНОГО ЦЕНТРУ

1. Якщо піч не функціонує взагалі, дисплей не висвічується або ж зникає:
 - а) перевірте, чи піч підключена до електромережі належним чином.
Якщо ні – витягніть вилку з розетки, почекайте 10 секунд і щільно вставте вилку назад.
 - б) перевірте, чи немає замикання в електромережі. Якщо все в нормі, протестуйте розетку за допомогою іншого приладу.
2. Якщо не функціонує мікрохвильовий режим:
 - а) перевірте, чи встановлено таймер.
 - б) впевніться, що дверцята закрито належним чином. Інакше мікрохвильова енергія не поступатиме до печі.

ЯКЩО ВИ НЕ МОЖЕТЕ УСУНУТИ ВИЩЕЗАЗНАЧЕНІ ПОШКОДЖЕННЯ САМОСТІЙНО, ЗВ'ЯЖІТЬСЯ З НАЙБЛИЖЧИМ АВТОРИЗОВАНИМ СЕРВІСНИМ ЦЕНТРОМ.

РАДІО ПЕРЕШКОДИ

Мікрохвильова піч може спричинити перешкоди вашому радію, телевізору та подібним приладам. Ці перешкоди можна знешкодити або зменшити таким чином:

- а) почистіть дверцята та ущільнювач печі.
- б) помістіть радіо, телевізор, тощо якнайдалі від мікрохвильової печі.
- в) правильно користуйтеся антеною для радіо, телебачення, тощо, щоб отримати сильний сигнал.

УСТАНОВКА

1. Впевніться, що весь пакувальний матеріал знято та витягнуто з приладу.
2. Огляньте прилад на наявність видимих пошкоджень, таких як:
 - невідрегульовані дверцята
 - пошкоджені дверцята
 - вм'ятини та отвори на скляній поверхні дверцят
 - вм'ятини в порожнині печі
 - якщо хоч одне з вищезазначених ушкоджень наявне, - не користуйтеся піччю.
3. Вага цієї мікрохвильової печі становить 10.5 кг, тому її слід встановити на поверхню, що здатна витримати цю вагу.
4. Розташуйте піч подалі від високої температури і пари.
5. Не кладіть жодних речей на поверхню печі.
6. Відстань між піччю і боковими стінами має становити 8 см, і 10 см – від задньої стінки, щоб забезпечити належну вентиляцію.
7. Не витягайте штифт двигуна тарілки, що обертається.
8. Пильно спостерігайте за дітьми, коли вони користуються приладом.

ЗАСТЕРЕЖЕННЯ – ПРИЛАД СЛІД ЗАЗЕМЛИТИ.

До розетки має бути забезпечено вільний доступ

Даний прилад споживає 1.1 кВт.

Рекомендуємо проконсультуватися із спеціалістом сервісного центру щодо установки приладу.

ЗАСТЕРЕЖЕННЯ: Прилад захищений внутрішнім захисним запобіжником на 250 В, 8 А.

ВАЖЛИВО

Провода основного кабелю пофарбовані згідно наступної таблиці:

Жовто-зелений	заземлення
синій	нейтральний
коричневий	під напругою

Оскільки кольори проводів можуть не відповідати кольоровим позначкам на клеммах вашої штепсельної вилки, необхідно зробити наступне:

-Жовто-зелений провід необхідно під'єднати до клеми, яке позначена буквою **E** або символом заземлення, що пофарбовано у зелений колір жовто-зеленого проводу.

-синій провід слід під'єднати до клеми, позначеної буквою **N** або ж пофарбованої в чорний.

-коричневий провід слід під'єднати до клеми, яка позначена буквою **L** або пофарбована в червоний колір.

ВАЖЛИВІ ЗАСТЕРЕЖЕННЯ

УВАГА! Щоб знизити ризик виникнення пожежі, електричного шоку, поранення людей та надмірної мікрохвильової потужності, необхідно:

Цей пристрій не призначено для користування особами (включаючи дітей) з послабленими фізичними відчуттями чи розумовими здібностями, або без належного досвіду та знань, крім випадків користування під наглядом чи за вказівками особи, яка відповідає за безпеку їх життя. Дорослі повинні стежити, щоб діти не бавилися пристроєм. Ніколи не залишайте увімкнений пристрій без нагляду.

1. уважно прочитати інструкцію перед використанням приладу;
2. не розігрівати у мікрохвильовій печі такі продукти, як яйця та щільно закритий посуд (напр., закриті скляні фляги або дитячі пляшечки), тому що вони можуть вибухнути, По рекомендації зверніться до книги по куховаренню.
3. Використовуйте прилад тільки згідно інструкції з експлуатації.
4. Діти можуть користуватись приладом тільки під наглядом дорослих.
5. Не користуйтесь піччю, якщо вона функціонує неповністю, якщо вона має uszkodження.
6. Щоб зменшити ризик виникнення пожежі в порожнині:
 - а) не готуйте довше зазначеного часу. Будьте уважні при використанні паперу, пластмаси та інших горючих матеріалів для приготування страв у мікрохвильовій печі.
 - б) зніміть дротяні засувки на пакетах перед тим, як покласти їх у піч.
 - в) якщо ж матеріали всередині печі загорілись, не відкривайте дверцята, вимкніть прилад з електромережі або витягніть запобіжник..

ВКАЗІВКИ ПО ТЕХНІЦІ БЕЗПЕКИ

Цей прилад функціонує відповідно до загально прийнятих правил та вимог по техніці безпеки при експлуатації електричних приладів.

1. Перед використанням приладу правильно встановіть все приладдя (опору на роликах, тарілку, що обертається та ін.).
2. Використовуйте піч тільки для приготування їжі. В жодному разі не сушіть одяг, папір та інші неістівні предмети в печі. Не використовуйте піч для стерилізації.
3. Не вмикайте піч порожньою. Це може її пошкодити.
4. Не використовуйте піч для зберігання книг, паперу та ін.
5. Не використовуйте піч для консервування продуктів, оскільки вона для цього не призначена. Законсервовані неналежним чином продукти можуть зіпсуватись і становити загрозу для здоров'я людини.

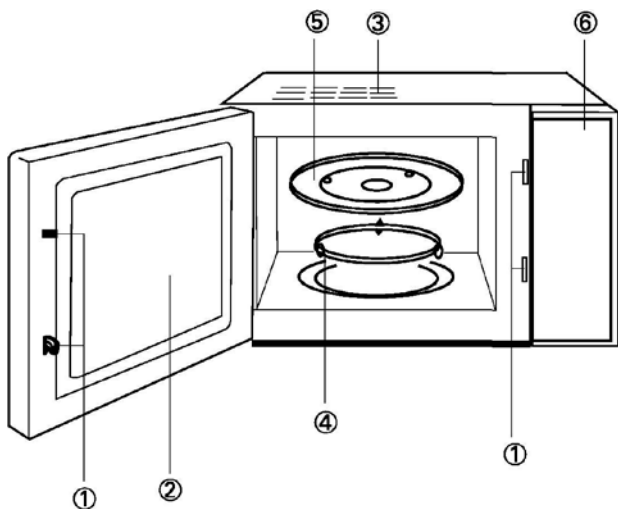
6. Не готуйте яйця в шкаралупі: вони можуть вибухнути. Коли ви готуєте яйця, накрийте їх кришкою і дайте постояти протягом хвилини після приготування.
7. Перед тим, як готувати такі продукти, як сосиски, яєчні жовтки, картоплю, курячу печінку та ін. (тобто ті, які вкриті оболонкою), проколiть їх кілька разів виделкою.
8. Не вставляйте будь-які предмети в отвори між дверцятами та корпусом печі.
9. Ніколи не знімайте деталі печі (ніжки, кріплення, гвинти, тощо).
10. Не готуйте їжу безпосередньо на тарілці, що обертається. Перед готуванням покладіть продукти на відповідний посуд.

ВАЖЛИВО – ПОСУД, НЕПРИДАТНИЙ ДЛЯ ВИКОРИСТАННЯ У МІКРОХВИЛЬОВІЙ ПЕЧІ

- металеві сковороди чи каструлі або посуд з металевими ручками.
- посуд з металевим оздобленням.
- паперовий посуд з дротяними засувками або ж пластикові пакунки.
- меламіновий посуд, оскільки матеріал, що входить до його складу, поглинає мікрохвильову енергію. Це може призвести до псування посуду і зменшення швидкості готування.
- глянцевої посуд.
- посуд з вузьким горлишком.
- звичайні термометри для м'яса та солодошів. Для мікрохвильової печі існує спеціально розроблений термометр, яким можна користуватись за необхідності.

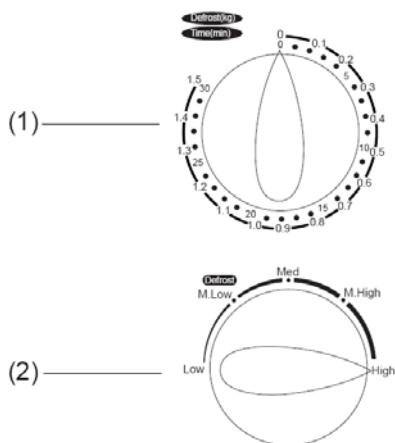
11. Посуд для мікрохвильової печі використовуйте тільки згідно інструкцій виробника.
12. Не намагайтесь смажити продукти в мікрохвильовій печі.
13. У мікрохвильовій печі продукти нагріваються швидше за контейнер. Пам'ятайте: навіть якщо кришка не гаряча на дотик, то продукти під нею мають високу температуру і створюватимуть стільки ж пари, скільки і при готуванні на звичайній плиті.
- 10,5. Завжди перевіряйте температуру приготованої страви, особливо, якщо ви готуєте для немовлят. Бажано не споживати страву безпосередньо відразу після приготування. Дайте їй постояти протягом кількох хвилин і перемішайте для рівномірного розподілення температури.
15. Продукти з вмістом жиру та води необхідно залишити в печі на 30-60 секунд після приготування. Це дає змогу суміші настоятись і запобігає утворенню бульбашок.
16. Деякі продукти (напр., Різдвавий пудинг, джем, тощо) дуже швидко нагріваються. При готуванні страв, що містять багато жиру або цукру, не можна використовувати пластиковий посуд.
17. Ємність, що в ній знаходиться страва, теж може нагріватись від страви. Це особливо важливо, якщо в посуді присутні елементи пластику. Тут може знадобитись утримувач, щоб дістати посуд з печі.

ОПИС ПРИЛАДУ



- 1 Дверні замки
- 2 Оглядове вікно
- 3 Вентиляційні отвори
- 4 Опора на роликах
- 5 Скляна тарілка
- 6 Панель управління

ПАНЕЛЬ УПРАВЛІННЯ



1. Помістіть їжі у піч. Оберіть рівень потужності, повертаючи ручку **Cooking Power Control**.
2. Встановіть час готування, повертаючи ручку **Timer**.

ПОРАДНИК З КОРИСТУВАННЯ

1. Помістіть їжі у піч. Оберіть рівень потужності, повертаючи ручку **Cooking Power Control**.
2. Встановіть час готування, повертаючи ручку **Timer**.

Якщо вам потрібно розморозити продукти

1. Встановіть ручку **cooking power control у положення "✳"**.
2. Встановіть ручку **timer** на необхідний для цього час.

ЯК ПРАЦЮЄ МІКРОХВИЛЬОВА ПІЧ

Мікрохвилі – це електромагнітні хвилі високої частоти, за допомогою енергії яких їжа готується або нагрівається, не змінюючи форму або колір.

Ви можете користуватися мікрохвильовою піччю для:

- Розморожування
- Рівномірного нагрівання
- Готування

Основні принципи готування

1. У мікрохвильовій печі розташований потужний генератор електромагнітних хвиль – магнетрон. Ці електромагнітні хвилі спрямовуються у камеру печі, де їжа обергається на тарілці, забезпечуючи її рівномірне готування.
2. Мікрохвилі поглинаються їжею всередину приблизно на 1 дюйм (2.5 см). Потім процес готування продовжується через розсіювання тепла всередині їжі.
3. Час готування може змінюватись залежно від кількості та якості їжі
 - Об'єм та щільність
 - Вміст води
 - Початкова температура (охолоджена чи ні)

Оскільки всередині їжі процес готування відбувається через розсіювання тепла, він продовжується навіть тоді, коли ви забрали їжу з печі. Таким чином, час, на який їжа залишається у печі після завершення процесу готування, зазначений у рецепті і у цьому буклеті, гарантує:

- Повністю рівномірне готування їжі
- Повністю рівномірне нагрівання їжі

ПЕРЕКОНАЙТЕСЯ, ЩО ВАША МІКРОХВИЛЬОВА ПІЧ ПРАЦЮЄ НАЛЕЖНИМ ЧИНОМ

1. Розмістіть на тарілці, що обертається, посуд з водою.
2. Встановіть найвищий рівень потужності, повернувши ручку Cooking Power Control.
3. Повернувши ручку Timer, встановіть час на 4-5 хвилин. Мікрохвильова піч має бути увімкнена в розетку відповідної напруги. Тарілка, що обертається, має бути правильно встановлена в печі. Якщо рівень потужності не відповідає максимальному, вода буде закипати значно довше.

ЩО РОБИТИ, ЯКЩО У ВАС ВИНИКЛИ СУМНІВИ ЩОДО НАЛЕЖНОЇ РОБОТИ ПЕЧІ АБО ПЕВНІ ПРОБЛЕМИ

Якщо ви стикнулися з однією з наступних проблем, будь-ласка, для її вирішення скористайтеся нашими порадами.

- Це цілком нормально:
У печі утворюється конденсат. Навколо дверцят на зовнішньої частині корпусу відчувається потік повітря. Навколо дверцят та зовнішньої частини корпусу відбивається світло. Навколо дверцят та з вентиляційних отворів виходить пара.
- Духовка не починає працювати після повертання ручки таймеру
Перевірте, чи щільно закриті дверцята? Їжа взагалі не готується. Чи правильно ви встановили таймер?
Чи закриті дверцята?
Чи не перевантажили ви електромережу, через що перегорів запобіжник, або переривач вимкнений.
- Їжа або переварена або недоварена. Ви обрали належний час для її готування? Ви обрали правильний рівень потужності?
- Всередині духовки виникають іскри і чутно тріск (явище, яке має назву «електрична дуга»). Чи не скористалися ви посудом з металевим оздобленням? Чи не забули ви всередині виделку або інший металевий предмет? Чи не торкається алюмінієва фольга внутрішніх стінок печі?
- Мікрохвильова піч може спричинити перешкоди у роботі радіоприймачів або телевізорів. Незначні перешкоди у роботі телевізора або радіоприймача можуть виникати під час роботи печі. Це цілком нормально, а щоб позбутися цієї проблеми, треба встановити мікрохвильову піч подалі від телевізора, радіоприймача або антен.

РІВНІ ПОТУЖНОСТІ	
Високий	100%
Помірно високий	85%
Середній	66%
Помірно низький	48%
Низький	17%
Розморожування	40%

ГОТУВАННЯ/НАГРІВАННЯ

Наступна процедура пояснює, як приготувати або нагріти їжу. **ЗАВЖДИ** перевіряйте установки для готування, перше ніж залишити піч без нагляду. Спочатку поставте посуд із їжею в центрі тарілки, що обертається. Закрийте дверцята.

1. Встановіть рівень потужності, повернувши ручку Cooking Power Control. (Максимальна потужність: 700 Ватт)
2. Встановіть час готування, повернувши ручку Timer. Результат: у печі ввімкнеться світло і тарілка почне обертатися.

НІКОЛИ НЕ ВМИКАЙТЕ МІКРОХВИЛЬОВУ ПІЧ, ЯКЩО ВОНА ПОРОЖНЯ.

Можна змінити рівень потужності і під час готування, якщо повернути ручку Cooking Power Control.

ЗУПИНЕННЯ ПРОЦЕСУ ГОТУВАННЯ

1. Щоб зупинити тимчасово: відкрийте дверцята. Результат: Процес готування зупиняється. Щоб поновити готування, закрийте дверцята.
2. Щоб зупинити повністю: поверніть ручку туймера у положення "0".

РЕГУЛЮВАННЯ ЧАСУ ГОТУВАННЯ

1. Щоб відрегулювати час готування, що залишився, поверніть ручку таймера.

РОЗМОРОЖУВАННЯ ПРОДУКТІВ

Здатність розморозувати продукти допоможе вам розморозити м'ясо, птицю та рибу. Покладіть заморожений продукт у центр тарілки, що обертається і закрийте дверцята.

1. Встановіть ручку Cooking Power Control на режим розморозування.
2. З допомогою ручки Timer оберіть прийнятний час. Результат: процес розморозування розпочався.

ЯК ПРАВИЛЬНО ОБРАТИ ПОСУД

ПОСУД	БЕЗПЕЧНО КОРИСТУВАТИСЯ У МІКРОХВИЛЬОВІЙ ПЕЧІ	КОМЕНТАРІ
Алюмінієва фольга	Безпечно, якщо користуватися обережно. Дивіться коментарі	Можна користуватися для захисту тонких частин, наприклад, крилець птиці, від висихання. Якщо використовувати дуже багато фольги, або вона торкатиметься стінок печі, це може викликати появу іскор.
Червона глина	Так	Не нагрівати довше, ніж 8 хвилин
Порцелян та глиняний посуд	Так	Зазвичай можна користуватися, якщо нема металевого оздоблення
Посуд з картону та поліестеру	Так	Деякі заморожені продукти упаковані у ці контейнери
Упаковка фаст-фуду Стаканчики з полістирену Пакети з паперу/Пакети з вторинної паперової сировини або металево оздоблення	Так Ні Ні	Можна використовувати для нагрівання продуктів, але при сильному нагріванні полістирен може розтанути Можуть спричинити іскріння або пожежу
Скляний посуд	Так	Можна користуватися, якщо немає металевого оздоблення
Вишуканий скляний посуд	Так	Тонке скло при швидкому нагріванні може тріснути
Скляні глечики	Так	Треба знімати кришки, використовувати тільки для нагрівання
Металевий посуд, пакети для заморожування Застібки	Ні Ні	Можуть спричинити іскріння або пожежу
Паперові тарілки, чашки, серветки, паперові рушники, папір з вторинної сировини	Безпечно, якщо користуватися обережно. Дивіться коментарі Ні	Для нетривалого готування та нагрівання. Також можна користуватися для підсушування, Може спричинити іскріння
Пластикові контейнери	Так	Пластик, стійкий до високих температур, найбільш прийнятний. Інші пластикові матеріали можуть деформуватися і втратити колір. НЕ КОРИСТУЙТЕСЯ МЕЛАМІНОВИМ ПОСУДОМ. Можна використовувати для збереження вологи, не повинна торкатися продуктів, під час знімання треба бути дуже обережними.
Плівка для зберігання продуктів	Так	Тільки такі, що можна кип'ятити або стійкі до впливу високих температур. Повинні пропускати повітря, проштрикнути виделкою.
Пакети для заморожування	Безпечно, якщо користуватися обережно. Дивіться коментарі	
Кухарський папір	Так	Можна користуватися, щоб уникнути розбризкування та зберегти вологу.

РОЗМОРОЖУВАННЯ

Мікрохвилі дуже зручні для розморожування продуктів. Мікрохвилі обережно розморожують продукти за короткий проміжок часу. Це особливо зручно, коли до Вас завітали несподівані гості.

Птицю треба повністю розморозити перед готуванням. Зніміть будь-які металеві застібки, дістаньте її з упаковки, так щоб тала води могла стекти. Покладіть заморожений продукт у посуд, не накриваючи його кришкою. Коли птиця буде наполовину розморожена, перегорніть її і вилийте воду, що стекла, видаліть нутроці як можна скоріше.

Час від часу перевіряйте птицю, щоб вона не нагрілася.

Якщо маленькі або тонші частини замороженої птиці почали нагріватися, до повного завершення розморожування їх можна огорнути невеликими клаптиками алюмінієвої фольги.

Якщо Ви відчули, що тушка стала теплою, зупиніть процес розморожування і залиште її приблизно на 20 хвилин, після чого процес розморожування можна продовжити.

ПОРАДА: Більш пласкі продукти розморожуються краще, ніж товсті, а меншій кількості продуктів треба менше часу, ніж великій. Не забувайте про це, коли заморожуєте продукти у морозильнику.

ЧИЩЕННЯ ВАШОЇ МІКРОХВИЛЬНОЇ ПЕЧІ

Треба регулярно чистити наступні частини Вашої мікрохвильової печі, щоб часточки їжі або жир не присохли до її поверхні:

- Внутрішню та зовнішню поверхню
- Дверцята та ущільнювачі дверцят
- Тарілку, що обертається і кільце з коліщатами

Завжди перевіряйте, чи добре закриваються дверцята і чи чисті ущільнювачі дверцят

1. Зовнішні поверхні треба чистити м'якою ганчіркою і теплою мильною водою.
2. Плями або залишки їжі на внутрішніх поверхнях і на кільці з коліщатами треба видалити ганчіркою, змоченою мильним розчином, а потім промити водою і висушити.
3. Щоб позбутися важких забруднень і неприємного запаху, поставте чашку із розбавленим лимонним соком на тарілку і нагрівайте протягом 10 хвилин на максимальному рівні потужності.
4. Якщо це необхідно, помийте тарілку у посудомийній машині.

СТЕЖТЕ, ЩОБ У ВЕНТИЛЯЦІЙНІ ОТВОРИ НЕ ПОТРАПИЛА ВОДА. НІКОЛИ НЕ КОРИСТУЙТЕСЯ АБРАЗИВНИМИ ЗАСОБАМИ ДЛЯ ЧИЩЕННЯ АБО ХІМІЧНИМИ РОЗЧИННИКАМИ. ПІД ЧАС ЧИЩЕННЯ БУДЬТЕ ОСОБЛИВО ОБЕРЕЖНІ ІЗ УЩІЛЬНЮВАЧАМИ ДВЕРЦЯТ, ЩОБ БУТИ УПЕВНЕНИМИ,

**ЩО ВОНИ АБСОЛЮТНО ЧИСТІ І НЕ ПЕРЕШКОДЖАЮТЬ ДВЕРЦЯТАМ
ЩІЛЬНО ЗАКРИВАТИСЯ.**

Навколишнє середовище

Не викидайте пристрій разом із звичайними побутовими відходами, а здавайте його в офіційний пункт прийому для повторної переробки. Таким чином Ви допомагаєте захистити довкілля

Гарантія та обслуговування

Якщо Вам необхідна інформація або у Вас виникла проблема, зверніться до Центру обслуговування клієнтів компанії Gorenje у Вашій країні (телефон можна знайти на гарантійному талоні). Якщо у Вашій країні немає Центру обслуговування клієнтів, зверніться до місцевого дилера або у відділ технічного обслуговування компанії Gorenje Domestic Appliances.

Для використання тільки в домашньому господарстві!

gorenje

**БАЖАЄ ВАМ ОТРИМАТИ СПРАВЖНЄ ЗАДОВОЛЕННЯ ВІД
КОРИСТУВАННЯ НАШИМ ПРИЛАДОМ**

Перед использованием прибора внимательно прочитайте эту инструкцию.

СПЕЦИФИКАЦИИ

Потребляемая мощность: 230В~50Гц, 1280Вт
Исходящая мощность: 700Вт
Частота: 2450МГц
Внешние размеры прибора: 454мм(д) X 330мм(ш) X 262мм(в)
Внутренние размеры прибора: 315мм(д) X 296мм(ш) X 211мм(в)
Объём: 20 л
Вес: приблизительно 10,5 кг
Уровень шума: Lc < 58 дБ (А)

Это оборудование маркировано в соответствии с европейской директивой 2002/96/EG об отходах электрического и электронного оборудования (waste electrical and electronic equipment - WEEE). Данная директива определяет действующие во всех странах ЕС требования по сбору и устраниению отходов электрического и электронного оборудования.

ПЕРЕД ЗВОНКОМ В СЕРВИСНЫЙ ЦЕНТР

1. Если печь не функционирует совсем, не светится или пропадает дисплей:
 - а) проверьте, верно ли печь подключена к электросети.
Если нет – вытащите вилку из розетки, подождите 10 секунд и плотно вставьте вилку назад.
 - б) проверьте, нет ли замыкания в электросети. Если всё в норме, протестируйте розетку с помощью другого прибора.
2. Если не функционирует микроволновый режим:
 - а) проверьте, установлен ли таймер.
 - б) убедитесь, что дверца надёжно закрыта. Иначе микроволновая энергия не будет поступать в печь.

ЕСЛИ ВЫ НЕ МОЖЕТЕ УСТРАНИТЬ ВЫШЕУКАЗАННЫЕ ПРОБЛЕМЫ САМОСТОЯТЕЛЬНО, СВЯЖИТЕСЬ С БЛИЖАЙШИМ АВТОРИЗОВАННЫМ СЕРВИСНЫМ ЦЕНТРОМ.

РАДИО ПОМЕХИ

Микроволновая печь может спровоцировать помехи в работе вашего радио, телевизора и др. подобных приборов. Эти помехи можно нейтрализовать таким образом:

- а) почистите дверцу и уплотнитель печи.
- б) переставьте радио, телевизор и др. подальше от печи.
- в) правильно пользуйтесь антенной для радио, телевидения, чтобы получить сильный сигнал.

УСТАНОВКА

1. Убедитесь, что весь упаковочный материал снят и вытянут из прибора.
2. Осмотрите прибор на наличие визуальных повреждений, таких как:
 - неотрегулированная дверца
 - повреждённая дверца
 - вмятины и отверстия на стеклянной поверхности дверцы
 - вмятины в полости печи
 - если присутствует хотя бы одно из указанных повреждений – не пользуйтесь печью.
3. Вес этой микроволновой печи составляет 10,5 кг, потому её следует устанавливать на поверхность, способную выдержать этот вес.
4. Поместите печь подальше от источников высокой температуры и пара.
5. Не кладите никакие предметы на печь.
6. Расстояние между печью и боковыми стенами должно быть 8 см, и 10 см – от задней стенки, чтобы обеспечить соответствующую вентиляцию.
7. Не вытягивайте штифт двигателя вращающейся тарелки.
8. Следите за детьми, когда они пользуются печью.

ПРЕДОСТЕРЕЖЕНИЕ – ПРИБОР НЕОБХОДИМО ЗАЗЕМЛИТЬ.

Необходимо обеспечить свободный доступ к розетке.

Данный прибор потребляет 1.1 кВт.

Рекомендуем проконсультироваться со специалистом сервисного центра касательно установки прибора.

ПРЕДУПРЕЖДЕНИЕ: Прибор защищён внутренним защитным предохранителем на 250 В, 10 А.

ВАЖНО

Провода основного кабеля окрашены соответственно данной таблице:

жёлто-зелёный

заземление

синий

нейтральный

коричневый

под напряжением

Так как цвета проводов могут не соответствовать цветовым обозначениям на клеммах Вашей штепсельной вилки, необходимо сделать следующее:

- жёлто-зелёный провод следует подсоединить к клемме, обозначенной буквой **E** или окрашенной в зелёный или жёлто-зелёный цвет.
- синий провод следует подсоединить к клемме, обозначенной буквой **N** или окрашенной в чёрный цвет.
- коричневый провод следует подсоединить к клемме, обозначенной буквой **L** или окрашенной в красный цвет.

ВАЖНЫЕ ПРЕДУПРЕЖДЕНИЯ

ВНИМАНИЕ! Чтобы снизить риск возникновения пожара, электрического шока, ранения людей и чрезмерной микроволновой мощности, необходимо:

Данный прибор не предназначен для использования лицами (включая детей) с ограниченными возможностями сенсорной системы или ограниченными интеллектуальными возможностями, а так же лицами с недостаточным опытом и знаниями, кроме случаев контроля или инструктирования по вопросам использования прибора со стороны лиц, ответственных за их безопасность. Не позволяйте детям играть с прибором.

1. внимательно прочитать инструкцию перед использованием прибора;
2. не разогревать в микроволновой печи такие продукты, как яйца, и плотно закрытую посуду (напр., закрытые стеклянные фляги или детские бутылочки), потому что они могут взорваться. За рекомендациями обратитесь к книге по приготовлению пищи.
3. Используйте прибор только согласно инструкции по эксплуатации.
4. Дети могут пользоваться прибором только под присмотром родителей.
5. Не пользуйтесь печью, если она функционирует не полностью, если она повреждена.
6. Чтобы снизить риск возникновения пожара в полости:
 - а) не готовьте дольше указанного времени. Будьте внимательны при использовании бумаги, пластмассы и других воспламеняющихся материалов для приготовления пищи в микроволновой печи.
 - б) снимите проволочные завязки с пакетов перед тем, как положить их в печь.
 - в) если же материалы внутри печи загорелись, не открывайте дверцу, отключите прибор от электросети или снимите предохранитель.

ПОЛЕЗНЫЕ СОВЕТЫ ПО ТЕХНИКЕ БЕЗОПАСНОСТИ

Этот прибор функционирует согласно общепринятым правилам и требований по технике безопасности касательно эксплуатации электрических приборов.

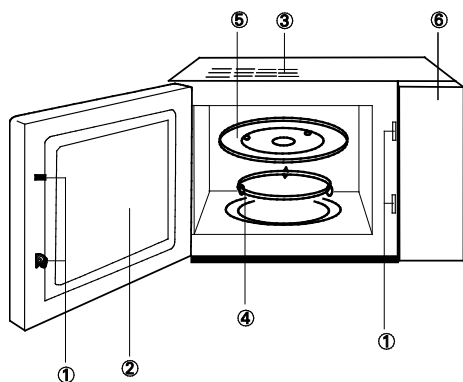
1. Перед использованием прибора правильно установите всё оборудование (опору на роликах, вращающуюся тарелки др.).
2. Используйте печь только для приготовления пищи. Категорически запрещается сушить одежду, бумагу и другие предметы в печи. Не используйте печь для стерилизации.
3. Не включайте печь пустой. Это может её повредить.
4. Не используйте печь для хранения книг, бумагу и др.
5. Не используйте печь для консервации продуктов, так как она не предназначена для этого. Законсервированные неправильным образом продукты могут испортиться и таким образом являться опасными для здоровья человека.
6. Не готовьте яйца в скорлупе: они могут взорваться. Когда вы готовите яйца, накройте их крышкой и дайте постоять минуту после приготовления.
7. Перед тем, как готовить такие продукты, как сосиски, яичные желтки, картофель, куриная печень и др. (то есть продукты, покрытые оболочкой), проколите их несколько раз вилкой.
8. Не вставляйте предметы в отверстия между дверцей и корпусом печи.
9. Никогда не снимайте детали печи (ножки, крепления, винты и т. д.).
10. Не готовьте пищу непосредственно на вращающейся тарелке. Перед приготовлением положите продукты в соответствующую посуду.

ВАЖНО – ПОСУДА, НЕПОДХОДЯЩАЯ ДЛЯ ИСПОЛЬЗОВАНИЯ В МИКРОВОЛНОВОЙ ПЕЧИ

- металлические сковороды или кастрюли или посуда с металлическими ручками.
- посуда с металлическими элементами.
- бумажная посуда с проволочными завязками или же пластиковые упаковки.
- меламиновая посуда, так как материал, который входит в его состав, поглощает микроволновую энергию. Это может привести к порче посуды и уменьшению скорости приготовления.
- глянцевая посуда.
- посуда с узким горлышком.
- обычные термометры для мяса и сладостей. Для микроволновой печи существует специально разработанный термометр, которым можно пользоваться при необходимости.

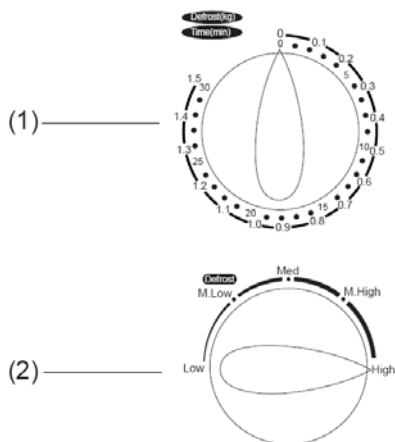
11. Посуду для микроволновой печи используйте только согласно инструкциям производителя.
12. Не пытайтесь жарить продукты в микроволновой печи.
13. В микроволновой печи продукты нагреваются быстрее, чем контейнер. Помните: даже если крышка не горячая на ощупь, то продукты под ней имеют высокую температуру, и будут создавать столько же пара, как и на обычной плите.
- 10,5. Всегда проверяйте температуру приготовленной пищи, особенно, если вы готовите её для младенцев. Желательно не употреблять пищу сразу после приготовления. Дайте ей постоять несколько минут и перемешайте для равномерного распределения температуры.
15. Продукты с содержанием жира и воды необходимо оставить в печи на 30-60 секунд после приготовления. Это даёт возможность смеси настояться и предотвращает образование пузырей.
16. Некоторые продукты (напр., Рождественский пудинг, джем, и др.) очень быстро нагреваются. При приготовлении пищи, которая содержит много жира или сахара, нельзя использовать пластиковую посуду.
17. Ёмкость, в которой находится пища, тоже может нагреваться от пищи. Это особенно важно, если в посуде присутствуют элементы пластика. Здесь понадобится держатель, чтобы достать посуду из печи.

ОПИСАНИЕ ПРИБОРА



- 1 - Дверные замки
- 2 - Смотровое окошко
- 3 - Вентиляционные отверстия
- 4 - Опора на роликах
- 5 - Стеклопанель тарелки
- 6 - Панель управления

ПАНЕЛЬ УПРАВЛЕНИЯ



- 1 - Таймер 0-30 минут
2 - Регулятор мощности

КРАТКОЕ РУКОВОДСТВО

- 1) Поместите продукты в микроволновую печь. Установите уровень мощности, поворачивая регулятор мощности.
- 2) Установите время приготовления, поворачивая таймер.

Если вы хотите разморозить продукты

- 1) Установите регулятор мощности в положение «*».
- 2) Установите нужное время, поворачивая таймер.

КАК РАБОТАЕТ МИКРОВОЛНОВАЯ ПЕЧЬ

Микроволны — это электромагнитные волны сверхвысокой частоты; проникая в продукты, энергия микроволн обеспечивает их приготовление или разогрев, не влияя на цвет и форму.

Вы можете использовать микроволновую печь для:

- размораживания,
- быстрого разогрева,
- приготовления.

Принцип приготовления

- 1) Микроволны, производимые магнетроном, распределяются по всему объему продуктов, находящихся на поворотном столе, поэтому продукты готовятся равномерно.
- 2) Глубина проникновения микроволн в продукты достигает 2,5 см. По мере поглощения тепла продуктами процесс приготовления продолжается.
- 3) Время приготовления зависит от используемой емкости и свойств продуктов:
 - количество и плотность,
 - содержание влаги,
 - исходная температура (замороженные или нет).

Нагрев более глубоких слоев происходит за счет теплопередачи в самом продукте, так что процесс приготовления продолжается и после того, как вы вынули продукты из печи. Поэтому необходимо следовать указаниям, приведенным в данной брошюре и в рецептах приготовления блюд, какое время следует подождать после окончания приготовления перед подачей на стол, чтобы обеспечить:

- равномерное приготовление продуктов на всю глубину,
- одинаковую температуру по всему объему.

КАК ПРОВЕРИТЬ, ЧТО ВАША МИКРОВОЛНОВАЯ ПЕЧЬ ИСПРАВНА

- 1) Поставьте стакан с водой на поворотный стол.
- 2) Установите максимальный уровень мощности с помощью регулятора мощности
- 3) Установите время 4-5 минут с помощью таймера. Печь должна быть подключена к соответствующей сетевой розетке. Поворотный стол должен находиться в печи. Если установить уровень мощности ниже максимального, то потребуются больше времени для того, чтобы вода закипела.

ЧТО ДЕЛАТЬ, ЕСЛИ У ВАС ВОЗНИКЛИ СОМНЕНИЯ ИЛИ ПРОБЛЕМА

Если вы столкнулись с ситуациями, перечисленными ниже, попробуйте воспользоваться предлагаемыми решениями.

Все в порядке, если вы заметили, что:

в печи образовался конденсат; поток воздуха проникает через уплотнитель или пар скапливается вокруг дверцы или вентиляционных отверстий; свет проникает через уплотнитель вокруг дверцы.

Печь не начинает работать, когда вы поворачиваете таймер.

Плотно ли закрыта дверца?

Продукты не приготовлены.

Правильно ли вы установили таймер?

Закрыта ли дверца?

Возможно, из-за перегрузки электропроводки перегорели предохранители или сработало автоматическое реле?

Продукты недоварены или переварены.

Правильно ли вы установили время приготовления?

Правильно ли вы выбрали уровень мощности?

Внутри печи наблюдается искрение и треск (дуговой разряд).

Возможно, вы использовали посуду с металлическими деталями?

Возможно, вы оставили вилку или другой металлический предмет в печи?

Возможно, алюминиевая фольга находится слишком близко к внутренним стенкам?

Микроволновая печь создает помехи в работе радио или телевизора.

Небольшие помехи могут наблюдаться во время работы печи. Это нормальное явление. Для решения проблемы установите печь подальше от радио, телевизора и антенн.

УРОВНИ МОЩНОСТИ	
Высокий	700 Вт
Средневысокий	539 Вт
Средний	385 Вт
Средне-низкий	252 Вт
Низкий	119 Вт
Размораживание	252 Вт

ПРИГОТОВЛЕНИЕ/РАЗОГРЕВ

Для приготовления или разогрева продуктов надо действовать следующим образом. НИКОГДА не оставляйте работающую печь без присмотра.

Сначала поместите продукты в печь в центр поворотного стола. Закройте дверцу.

- 1) Установите максимальный уровень мощности с помощью регулятора мощности (максимальная мощность: 700 Вт).
- 2) Установите время с помощью таймера. В печи зажигается свет, и поддон начинает вращаться.

НИКОГДА НЕ ВКЛЮЧАЙТЕ МИКРОВОЛНОВУЮ ПЕЧЬ ПУСТОЙ.

Вы можете изменять уровень мощности во время работы печи, поворачивая регулятор мощности.

ОСТАНОВКА ПРОЦЕССА ПРИГОТОВЛЕНИЯ

- 1) Для временной остановки печи откройте дверцу — процесс приготовления приостановится и возобновится, когда Вы закроете дверцу.
- 2) Для полной остановки установите таймер в положение «0».

КОРРЕКТИРОВКА ВРЕМЕНИ ПРИГОТОВЛЕНИЯ

1) Оставшееся время приготовления можно регулировать поворотом таймера.

РАЗМОРАЖИВАНИЕ ПРОДУКТОВ В РУЧНОМ РЕЖИМЕ

Функция размораживания позволяет размораживать мясо, птицу и рыбу. Сначала положите замороженные продукты на центр поворотного стола и закройте дверцу.

- 1) Установите регулятор мощности в положение «Размораживание».
- 2) С помощью таймера установите нужное время — размораживание начинается.

ПОСУДА ДЛЯ МИКРОВОЛНОВОЙ ПЕЧИ

ПОСУДА	ИСПОЛЬЗОВАНИЕ В МИКРОВОЛНОВОЙ ПЕЧИ	КОММЕНТАРИИ
Алюминиевая фольга	С осторожностью, см. комментарии	Можно использовать в небольших количествах для защиты продуктов от переваривания; если фольги слишком много или расстояние между ней и стенками печи небольшое, может возникнуть искрение.
Глиняная посуда	Да	Нагревать не более 8 минут.
Фаянс и керамика	Да	За исключением подобной посуды с металлической отделкой.
Одноразовая пластиковая и картонная посуда	Да	Такую упаковку иногда имеют замороженные продукты.
Упаковка для фастфуда Полистироловые стаканы	Да	Можно использовать для разогрева еды, но от перегрева полистирол может расплавиться.
Бумажные пакеты/газеты	Нет	Может загореться.
Вторичная бумага или металлические детали	Нет	Может вызвать искрение.
Емкости из жаропрочного стекла и стеклянная столовая посуда	Да	За исключением таких изделий с металлической отделкой.
Тонкое стекло	Да	Хрупкое стекло может лопнуть из-за резкого нагрева.
Стеклянные кувшины	Да	Можно использовать только для разогрева со снятой крышкой.
Металлические емкости	Нет	Могут вызвать искрение или пожар.
Пакеты для заморозки с проволочными завязками	Нет	Могут вызвать искрение или пожар.
Бумажные тарелки, чашки, салфетки, полотенца	С осторожностью, см. комментарии	Для непродолжительного приготовления или разогрева или для поглощения излишней влаги.
Вторичная бумага	Нет	Может вызвать искрение.
Пластиковые контейнеры	Да	Лучше всего использовать жаропрочный пластик, так как другие виды могут деформироваться или потерять цвет. Не используйте меламин.
Пищевая пленка	Да	Может использоваться для удержания влаги, не должна соприкасаться с продуктами; вынимать с осторожностью.
Пакеты для заморозки	С осторожностью, см. комментарии	Только пакеты для приготовления в печи; герметичные пакеты необходимо проткнуть вилкой.
Вощеная или жиростойкая бумага	Да	Может использоваться для предотвращения разбрызгивания или для удержания влаги.

РАЗМОРАЖИВАНИЕ

Микроволны — идеальный способ размораживания замороженных продуктов. Они бережно размораживаются за короткое время. Это особенно удобно, если к вам неожиданно пришли гости.

Замороженная птица должна полностью оттаять перед приготовлением.

Удалите все металлические завязки и выньте птицу из упаковки, чтобы оттаившая жидкость могла испаряться.

Положите замороженный продукт в емкость без крышки. По истечении половины времени размораживания переверните продукт, вытрите растаявшую жидкость и выньте потроха, как только это будет возможно. Время от времени проверяйте, не нагревается ли птица. Если мелкие или тонкие части замороженного продукта начнут нагреваться, их можно обернуть полосками алюминиевой фольги во время дальнейшего размораживания. Если птица начнет снаружи нагреваться, остановите размораживание и подождите не менее 20 минут, прежде чем продолжить.

СОВЕТ: плоские продукты размораживаются лучше, чем толстые куски, а для небольшого объема нужно меньше времени, чем для большого.

Помните об этом, размораживая продукты.

ОЧИСТКА МИКРОВОЛНОВОЙ ПЕЧИ

Следующие части микроволновой печи необходимо очищать регулярно, чтобы не скапливался жир и остатки пищи:

- внутренние и внешние поверхности,
- дверца и ее уплотнитель,
- поворотный стол и ролик-кольцо.

Всегда следите за тем, чтобы уплотнитель дверцы был чистым и дверца хорошо закрывалась.

- 1) Внешние поверхности протирайте мягкой тряпкой, смоченной теплой мыльной водой.
- 2) Удалите все брызги и пятна на внутренних поверхностях и ролик-кольце тряпкой, смоченной мыльной водой, смойте мыло и вытрите насухо.
- 3) Для того чтобы удалить засохшие частицы пищи и устранить неприятный запах, поставьте на поворотный стол чашку с разбавленным лимонным соком и нагревайте 10 минут при максимальной мощности.
- 4) Регулярно мойте стеклянный поворотный стол с использованием средства для мытья посуды или в посудомоечной машине.

СЛЕДИТЕ, ЧТОБЫ ВОДА НЕ ПОПАДАЛА В ВЕНТИЛЯЦИОННЫЕ ОТВЕРСТИЯ. НЕ ИСПОЛЬЗУЙТЕ АБРАЗИВНЫЕ И АГРЕССИВНЫЕ ЧИСТЯЩИЕ СРЕДСТВА. ОБРАТИТЕ ОСОБОЕ ВНИМАНИЕ НА ОЧИСТКУ ДВЕРЦЫ И ЕЕ УПЛОТНИТЕЛЯ, СЛЕДИТЕ ЗА ТЕМ, ЧТО ВОКРУГ НЕЕ НЕ СКАПЛИВАЛИСЬ НИКАКИЕ ЧАСТИЦЫ, МЕШАЮЩИЕ ПЛОТНОМУ ЗАКРЫВАНИЮ.

Защита окружающей среды

После окончания срока службы не выбрасывайте прибор вместе с бытовыми отходами. Передайте его в специализированный пункт для дальнейшей утилизации. Этим вы поможете защитить окружающую среду.

Гарантия и обслуживание

Для получения дополнительной информации или в случае возникновения проблем обратитесь в Центр поддержки покупателей в вашей стране (номер телефона центра указан на гарантийном талоне). Если подобный центр в вашей стране отсутствует, обратитесь в вашу местную торговую организацию Gorenje или в отдел поддержки покупателей компании Gorenje Domestic Appliances.

Адреса и телефоны авторизованных сервисных центров размещены в брошюре «Гарантийные обязательства» или в гарантийном талоне.

Только для домашнего использования!

Производитель оставляет за собой право на внесение изменений!



СНО1

ПРОИЗВОДИТЕЛЬ ОСТАВЛЯЕТ ЗА СОБОЙ ПРАВО ВНОСИТЬ ИЗМЕНЕНИЯ, КОТОРЫЕ НЕ ВЛИЯЮТ НА РАБОТУ ПРИБОРА