

Before operating this oven, please read these instructions completely.

SPECIFICATIONS

Power consumption:	230 V ~ 50 Hz, 1200W
Output:	700W
Operating Frequency:	2450 MHz
Outside Dimensions:.....	452 mm (W) x 262 mm (D) x 358 mm (H)
Oven Cavity Dimensions:.....	315 mm (W) x 198 mm (D) x 294 mm (H)
Oven Capacity:	17 litres
Cooking Uniformity:.....	Turntable system (ø245 mm)
Uncrated Weight:	Approx. 10,5 kg
Noise level:.....	Lc < 58 dB(A)

This appliance is marked according to the European directive 2002/96/EC on Waste Electrical and Electronic Equipment (WEEE).

This guideline is the frame of a European-wide validity of return and recycling on Waste Electrical and Electronic Equipment.

BEFORE YOU CALL FOR SERVICE

1. If the oven will not perform at all, the display does not appear or the display disappeared:
 - a) Check to ensure that the oven is plugged in securely. If it is not, remove the plug from the outlet, wait 10 seconds and plug it in again securely.
 - b) Check the premises for a blown circuit fuse or a tripped main circuit breaker. If these seem to be operating properly, test the outlet with another appliance.
2. If the microwave power will not function:
 - a) Check to see whether the timer is set.
 - b) Check to make sure that the door is securely closed to engage the safety interlocks. Otherwise, the microwave energy will not flow into the oven.

IF NONE OF THE ABOVE RECTIFY THE SITUATION, THEN CONTACT THE NEAREST AUTHORIZED SERVICE AGENT.

RADIO INTERFERENCE

Microwave oven may cause interference to your radio, TV, or similar equipment. When interference occurs, it may be eliminated or reduced by the following procedures.

- a) Clean the door and sealing surface of the oven.
- b) Place the radio, TV, etc. as far away from your microwave oven as possible.
- c) Use a properly installed antenna for your radio, TV, etc. to get a strong signal reception.

INSTALLATION

1. Make sure all the packing materials are removed from the inside of the door.
2. Inspect the oven after unpacking for any visual damage such as:
 - Misaligned Door
 - Damaged Door
 - Dents or Holes in Door Window and Screen
 - Dents in Cavity
 - If any of the above are visible, DO NOT use the oven.
3. This Microwave Oven weighs 10,5 kg and must be placed on a horizontal surface strong enough to support this weight.
4. The oven must be placed away from high temperature and steam.
5. DO NOT place anything on top of the oven.
6. Keep the oven at least 8 cm away from both sidewalls and 10 cm away from rear wall to ensure the correct ventilation.
7. DO NOT remove the turn -table drive shaft.
8. As with any appliance, close supervision is necessary when used by children.

WARNING - THIS APPLIANCE MUST BE EARTHED.

The plug socket should be within easy reach of the power cord

This oven requires 1.2 KVA for its input, consultation with service engineer is suggested when installing the oven.

CAUTION: This oven is protected internally by a 250V 8 Amp Fuse.

IMPORTANT - The wires in this mains lead are colored in accordance with the following code:

Green-and-yellow	Earth
Blue	Neutral
Brown	Live

As the colors of the wires in the mains leads of the appliance may not correspond with the colored markings identifying the terminals in your plug, proceed as follows:

The wire which is colored green-and-yellow must be connected to the terminal in the plug which is marked with the letter **E** or by the earth symbol colored green or green-and-yellow.

The wire which is colored blue must be connected to the terminal which is marked with the letter **N** or colored black. The wire which is colored brown must be connected to the terminal which is marked with the letter **L** or colored red.

IMPORTANT INSTRUCTIONS

WARNING-To reduce the risk of burns, electric shock, fire, injury to persons or excessive microwave energy:

1. Read all instructions before using microwave oven.
2. Some products such as whole eggs and sealed containers - (for example, closed glass jars and sealed baby bottles with teat) - may explode and should not be heated in microwave oven, Refer to cookbook for more details.
3. Use this microwave oven only for its intended use as described in this manual.
4. This appliance is not intended for use by persons (including children) with reduced physical, sensory or mental capabilities, or lack of experience and knowledge, unless they have been given supervision or instruction concerning use of the appliance by a person responsible for their safety.
Children should be supervised to ensure that they do not play with the appliance.
5. Do not operate this microwave oven, if it is not working properly or if it has been damaged or dropped.
6. To reduce the risk of fire in the oven cavity:
 - a) Do not overcook food. Carefully attend microwave oven if paper, plastic, or other combustible materials are placed inside the oven to facilitate cooking.
 - b) Remove wire twist-ties from bags before placing bag in oven.
 - c) If materials inside the oven should ignite, keep oven door closed, turn the oven off at the wall switch, or shut off power at the fuse or circuit breaker panel.

SAFETY INSTRUCTIONS FOR GENERAL USE

Listed below are, as with all appliances, certain rules to follow and safeguards to assure top performance from this oven:

1. Always have the glass tray, roller arms, coupling and roller track in place when operating the oven.
2. Do not use the oven for any reason other than food preparation, such as for drying clothes, paper, or any other non-food items, or for sterilizing purposes.
3. Do not operate the oven when empty. This could damage the oven.
4. Do not use the oven cavity for any type of storage, such as papers, cookbooks, etc.
5. Do not use the oven for home canning, Microwave ovens are not designed to permit proper canning.
Improperly canned food may spoil and be dangerous to consume.
6. Do not cook eggs in the shell, as they will burst.
Occasionally a poached egg may burst during cooking. Be sure to cook covered and let stand one minute after cooking before removing the cover.
7. Do not cook any food surrounded by a membrane, such as egg yolks, potatoes, chicken livers, etc without first being pierced several times with a fork.
8. Do not insert any object into the openings on the outer case.
9. Do not at any time remove parts from the oven such as the feet, coupling, screws, etc.
10. Do not cook food directly on the glass tray. Place food in/on proper cooking utensil before placing in the oven.

IMPORTANT - COOKWARE NOT TO USE IN YOUR MICROWAVE OVEN

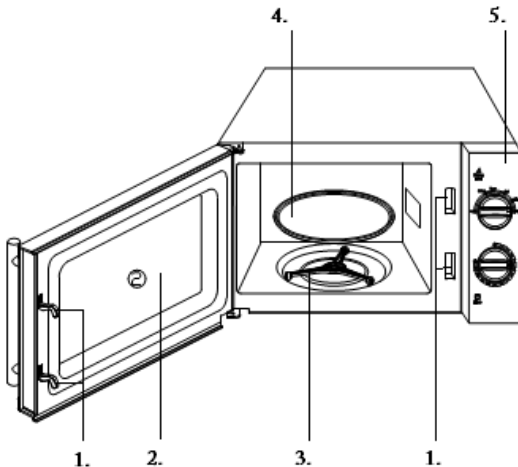
- Do not use metal pans or dishes with metal handles.
- Do not use anything with metal trim.
- Do not use paper covered wire twist-ties on plastic bags.
- Do not use melamine dishes as they contain a material which will absorb microwave energy. This may cause the dishes to crack or char and will slow down the cooking speed.
- Do not use Centura Tableware. The glaze is not suitable for microwave use. Corelle Living ware closed handle cups should not be used.
- Do not cook in a container with a restricted opening, such as a pop bottle or salad oil bottle, as they may explode if heated in a microwave oven.
- Do not use conventional meat or candy thermometers. There are the thermometers available specifically for microwave cooking. These may be used.

11. Microwave utensils should be used only in accordance with manufacturer's instructions.
12. Do not attempt to deep-fry foods in this oven.
13. Please remember that a microwave oven only heats the liquid in a container rather than the container itself. Therefore, even though the lid of a container is

not hot to the touch when removed from the oven, please remember that the food/liquid inside will be releasing the same amount of steam and/or spitting when the lid is removed as in conventional cooking.

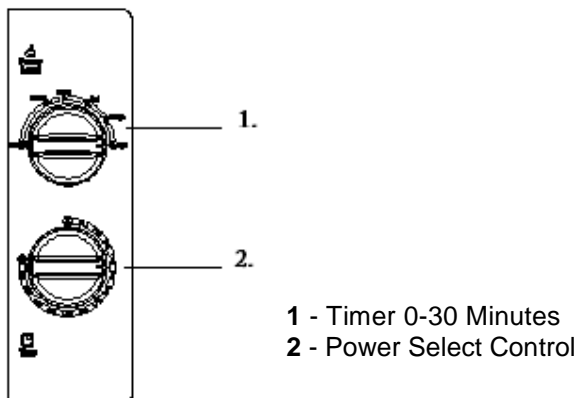
14. Always test the temperature of cooked food yourself especially if you are heating or cooking food/liquid for babies. It is advisable never to consume food/liquid straight from the oven but allow it to stand for a few minutes and stir food/liquid to distribute heat evenly.
15. Food containing a mixture of fat and water, e.g. stock, should stand for 30-60 seconds in the oven after it has been turned off. This is to allow the mixture to settle and to prevent bubbling when a spoon is placed in the food/liquid or a stock cube is added.
16. When preparing/cooking food/liquid and remember that there are certain foods, e.g. Christmas puddings, jam and mincemeat, which heat up very quickly.
When heating or cooking foods with a high fat or sugar content do not use plastic containers.
17. Cooking utensil may become hot because of heat transferred from the heated food. This is especially true if plastic wrap has been covering the top and handles of the utensil. Potholders may be needed to handle the utensil.

CONTROL PANEL



- 1 - Door Safety lock system
- 2 - Oven window
- 3 - Roller Ring
- 4 - Glass Tray
- 5 - Control Panel

CONTROL PANEL



QUICK LOOK UP GUIDE

1. Place the food in the oven. Select the power level by rotating the **Cooking Power Control** knob.
2. Select the cooking time by rotating the **Timer** knob.

If you want to defrost some food

1. Turn the **cooking power control** knob to "☼".
2. Turn the **timer** knob to select the appropriate time.

HOW A MICROWAVE OVEN WORKS

Microwaves are high-frequency electromagnetic waves; the energy released enables food to be cooked or reheated without changing either the form or the color.

You can use your microwave oven to:

- Defrost
- Instant reheat
- Cook

Cooking Principle

1. The microwaves generated by the magnetron are distributed uniformly as the food rotates on the turntable. The food is thus cooked evenly.
2. The microwaves are absorbed by the food up to a depth of about 1 inch (2.5 cm). Cooking then continues as the heat is dissipated within the food.

3. Cooking times vary according to the receptacle used and the properties of the food.
 - Quantity and density.
 - Water Content
 - Initial temperature (refrigerated or not)

As the centre of the food is cooked by heat dissipation, cooking continues even when you have taken the food out of the oven. Standing times specified in recipes and in this booklet must therefore be respected to ensure:

- Even cooking of the food right to the centre
- The same temperature throughout the food

CHECKING THAT YOUR MICROWAVE OVEN IS OPERATING CORRECTLY

1. First place a bowl of water on the turntable.
2. Set the power level to high by turning Cooking Power Control knob.
3. Set the time to 4-5 minutes by turning the Timer knob. The oven must be plugged into an appropriate wall socket. The turntable must be in position in the oven. If a power level other than the maximum is used, the water takes longer to boil.

WHAT TO DO IF YOU ARE IN DOUBT OR IF YOU HAVE A PROBLEM

If you experience any of the problems listed below, please try the solutions offered.

- This is normal:
Condensation in the oven
Air flow around the door and outer casing
Light reflected around the door and outer casing
Steam escaping from around the door or vents.
- The oven does not start when you turn the timer knob
Is the door completely closed? The food is not cooked at all
Have you set the timer correctly.
Is the door closed
Have you overloaded the electric circuit and caused a fuse to blow or a circuit breaker to be triggered
- The food is either overcooked or under-cooked
Was the appropriate cooking time set for the food
Was an appropriate power level chosen
- Sparking and crackling occur inside the oven (arcing)
Have you used a dish with metal trimmings
Have you left a fork or other metal utensil inside the oven
Is aluminium foil too close to the inside walls.
- The oven causes interference with radios or televisions
Slight interference may be observed on televisions or radios when the oven is operating. This is normal, and to solve the problem, install the oven away from televisions, radios and aerials.

POWER LEVELS	
High	100%
Medium High	85%
Medium	66%
Medium Low	48%
Low	17%
Defrost	40%

COOKING/REHEATING

The following procedure explains how to cook or reheat food. ALWAYS check your cooking settings before leaving the oven unattended.

First place the food in the centre of the turntable. Close the door.

1. Set the power level to high by turning Cooking Power Control knob. (Maximum power: 700 Watt)
2. Set the time by turning Timer knob. Result: The oven light comes on and the turntable starts rotating.

NEVER SWITCH THE MICROWAVE OVEN ON WHEN IT IS EMPTY.

You can change the power level during cooking ,by turning the cooking power control knob.

STOPPING THE COOKING

1. To stop temporarily; Open the door. Result: Cooking stops. To resume cooking close the door.
2. To stop completely: turn the Timer knob to "0".

ADJUSTING THE COOKING TIME

1. Adjust the remaining cooking time by rotating the Timer knob.

MANUAL DEFROSTING OF FOOD

The defrost feature enables you to defrost meat, poultry and fish first place the frozen food in the centre of the turntable and close the door.

1. Turn the Cooking Power Control knob to defrost.
2. Turn the Timer knob to select the appropriate time. Result: Defrosting begins.

COOK-WARE GUIDE

COOK-WARE	MICROWAVE SAFE	COMMENTS
Aluminium Foil	Safe with care, see comments	Can be used in small quantities to protect area's of food against over cooking. Arcing can occur if too much foil is used or if foil is to close to oven walls
Browning Plate	Yes	Do not preheat for more than 8 minutes
China and Earthenware	Yes	Usually suitable unless decorated with a metal trim
Disposable Polyester and cardboard dishes	Yes	Some frozen foods are packed in these containers
Fast Food Packaging	Yes	Can be used to warm food, but overheating may cause the polystyrene to melt
Polystyrene Cups	NO	May catch fire
Paper bags/Newspaper	NO	May cause arcing
Recycled paper or metal trims		
Glassware Oven to table ware	Yes	Can be used unless decorated with metal trim
Fine Glassware	Yes	Delicate glass may crack if heated suddenly
Glass Jars	Yes	Must remove the lid, suitable for warming only
Metal dishes	NO	May cause arcing or fire
Freezer Bag	NO	May cause arcing or fire
Ties		
Paper Plates, Cups, Napkins, Kitchen paper	Safe with care, see comments	For short cooking times and warming. Also to be used to absorb excess moisture
Recycled paper	NO	May cause arcing
Plastic Containers	Yes	Heat resistant plastic the most suitable. Other plastics may warp or discolour. DO NOT USE MELAMINE.
Cling Film	Yes	Can be used to retain moisture, should not touch the food, and care should be taken when removing.
Freezer Bags	Safe with care, see comments	Only if boilable or oven proof, should not be airtight always prick bag with a fork.
Wax or Grease PROOF Paper	Yes	Can be used to prevent spattering and to retain moisture.

DEFROSTING

Microwaves are an excellent way of defrosting frozen food. Microwaves gently defrost frozen food in a short period of time. This can be of great advantage, if unexpected guests suddenly turn up.

Frozen poultry must be thoroughly thawed before cooking. Remove any metal ties and take it out of its wrapping, so thawed liquids can drain away.

Put the frozen food on a dish without a cover. Turn over halfway through defrosting, drain away any liquid, and remove giblets etc as soon as possible.

Check the food occasionally to make sure it does not feel warm.

If smaller and thinner parts of the frozen food start to warm up, they can be shielded using small strips of aluminium foil wrapped around them during defrosting.

Should poultry start to warm up on the outer surface, stop thawing and allow it to stand for at least 20 minutes before continuing.

HINT: Flat food defrosts better than thick and smaller quantities need less time than bigger ones. Remember this when home freezing.

CLEANING YOUR MICROWAVE OVEN

The following parts of your microwave oven should be cleaned regularly to prevent grease and food particles from building up:

- Inside and outside surfaces
- Door and door seals
- Turntable and roller rings

Always ensure that the door seals are clean and the door closes

1. Clean the outside surfaces with soft cloth and warm soapy water.
2. Remove any splashes or stains on the inside surfaces and roller ring with a soapy cloth, rinse and dry.
3. To loosen hardened food particles and remove smells, place a cup of diluted lemon juice on the turn table and heat for ten minutes at maximum power.
4. Wash, the dishwasher safe glass turntable, whenever necessary

DO NOT SPILL WATER IN THE VENTS. NEVER USE ANY ABRASIVE PRODUCTS OR CHEMICAL SOLVENTS. TAKE PARTICULAR CARE WHEN CLEANING, DOOR SEALS TO ENSURE THAT NO PARTICLES ACCUMULATE, PREVENTING THE DOOR FROM CLOSING PROPERLY.

Environment

Do not throw away the appliance with the normal household waste at the end of its life, but hand it in at an official collection point for recycling. By doing this, you help to preserve the environment.

Guarantee & service

If you need information or if you have a problem, please contact the Gorenje Customer Care Centre in your country (you find its phone number in the worldwide guarantee leaflet). If there is no Customer Care Centre in your country, go to your local Gorenje dealer or contact the Service department of Gorenje domestic appliances.

For personal use only!

Additional recommendations for cooking with microwave and useful advices can be found on web side:

<http://microwave.gorenje.com>

gorenje

WISHES YOU A LOT OF PLEASURE WHILE USING YOUR APPLIANCE

Перед эксплуатацией прибора внимательно прочитайте инструкцию и сохраните ее для использования в будущем.

СПЕЦИФИКАЦИЯ

Потребляемая мощность:230В~50Гц, 1200Вт
Выходная мощность:700Вт
Рабочая частота:2450мГц
Внешние размеры прибора:452мм(д) X 262мм(в) X 358мм(ш)
Размеры камеры:315мм(д) X 198мм(в) X 294мм(ш)
Объём:17 л
Вес без упаковки:приблизительно 10,5 кг
Уровень шума: Lc < 58 дБ (А)

Это оборудование промаркировано в соответствии с европейской директивой 2002/96/EG об отходах электрического и электронного оборудования (WEEE). Данная директива определяет действующие во всех странах ЕС требования по сбору и устраниению отходов электрического и электронного оборудования.

Перед тем, как позвонить в сервисный центр

1. Если печь не функционирует совсем, не светится или пропадает дисплей:
 - а) Проверьте подключение печи к электросети.
Если печь включена ненадежно – вытащите вилку из розетки, подождите 10 секунд и плотно вставьте вилку назад.
 - б) Проверьте, нет ли замыкания в электросети. Если всё в норме, протестируйте розетку с помощью другого прибора.
2. Если не функционирует микроволновый режим:
 - а) Проверьте, установлен ли таймер.
 - б) Убедитесь, что дверца надёжно закрыта до состояния блокировки. Иначе микроволновая энергия не будет поступать в печь.

Если вышеописанные действия не решили проблему, свяжитесь с ближайшим авторизованным сервисным центром.

Радиопомехи

Микроволновая печь может спровоцировать помехи в работе Вашего радио, телевизора и других подобных приборов. Если Вы заметили помехи в работе приборов, попробуйте предпринять следующие действия:

- а) Почистите дверцу и уплотнительную поверхность печи.
- б) Переставьте радио, телевизор и др. подальше от печи, насколько это возможно.
- в) Правильно устанавливайте антенну для радио, телевидения, других приборов, чтобы принимающий сигнал был сильным.

Установка

1. Убедитесь, что весь упаковочный материал снят, в том числе с внутренней части дверцы.
2. Осмотрите прибор на наличие видимых повреждений, таких как:
 - неотрегулированная дверца
 - повреждённая дверца
 - вмятины и отверстия на стеклянной поверхности дверцы
 - вмятины в полости печиЕсли присутствует хотя бы одно из указанных повреждений – **не пользуйтесь** печью.
3. Печь следует устанавливать на поверхность, способную выдержать ее вес.
4. Поместите печь подальше от источников высокой температуры и пара.
5. **Не кладите** никакие предметы на печь.
6. Расстояние между печью и боковыми стенами должно быть как минимум 8 см, и 10 см – от задней стенки, чтобы обеспечить соответствующую вентиляцию.
7. **Не вытягивайте** штифт двигателя.
8. Обязательно следите за детьми, когда они пользуются печью.

ПРЕДОСТЕРЕЖЕНИЕ: ПРИБОР НЕОБХОДИМО ЗАЗЕМЛИТЬ.

Необходимо обеспечить свободный доступ штепселя к розетке.

Потребляемая мощность данного прибора составляет 1.2 кВт.

Рекомендуем проконсультироваться со специалистом сервисного центра касательно установки прибора.

ПРЕДУПРЕЖДЕНИЕ: Прибор защищён внутренним защитным предохранителем на 250 В, 10 А.

ВАЖНО

Провода основного кабеля окрашены соответственно данной таблице:

жёлто-зелёный	заземление
синий	нейтральный
коричневый	под напряжением

Так как цвета проводов могут не соответствовать цветовым обозначениям на клеммах Вашей штепсельной вилки, не обходимо сделать следующее:

- жёлто-зелёный провод следует подсоединить к клемме, обозначенной буквой **E** или окрашенной в зелёный или жёлто-зелёный цвет.
- синий провод следует подсоединить к клемме, обозначенной буквой **N** или окрашенной в чёрный цвет.
- коричневый провод следует подсоединить к клемме, обозначенной буквой **L** или окрашенной в красный цвет.

Важные предупреждения

ВНИМАНИЕ! Чтобы снизить риск возникновения пожара, электрического шока, ранения людей и чрезмерной микроволновой мощности:

1. Внимательно прочитайте инструкцию перед использованием прибора.
2. Не оставляйте детей без присмотра при работе с прибором.
3. Опасно для здоровья пытаться ремонтировать прибор самостоятельно, особенно со снятием крышки, обеспечивающей защиту от микроволновой энергии.
4. Не разогревайте в микроволновой печи такие продукты, как яйца, а также плотно закрытую посуду (например, закрытые стеклянные флаги или детские бутылочки), т.к. они могут взорваться. За рекомендациями обратитесь к рецептурной книге.
5. Используйте прибор только согласно инструкции по эксплуатации.
6. Данный прибор не предназначен для использования лицами (включая детей) с ограниченными возможностями сенсорной системы или ограниченными

- интеллектуальными возможностями, а также лицами с недостаточным опытом и знаниями, кроме случаев контроля или инструктирования по вопросам использования прибора со стороны лиц, ответственных за их безопасность. Не позволяйте детям играть с прибором.
7. Не пользуйтесь печью, если она функционирует не полностью или если она повреждена.
 8. Чтобы снизить риск возникновения пожара в полости:
 - а) Не готовьте дольше указанного времени. Будьте внимательны при использовании бумаги, пластмассы и других воспламеняющихся материалов для приготовления пищи в микроволновой печи.
 - б) Снимите проволочные завязки с пакетов перед тем, как положить их в печь.
 - в) Если материалы внутри печи загорелись, не открывайте дверцу, нажмите кнопку Выключить и отключите прибор от электросети.
 - г) Если Вы заметили дым внутри печи, не открывайте дверцу, нажмите кнопку Выключить, отключите прибор от электросети и сохраняйте дверцу закрытой, пока дым не пропадет.
 9. Поврежденный шнур может быть заменен только на равноценный и только квалифицированным специалистом.

Инструкции по технике безопасности при работе с прибором

Этот прибор функционирует согласно общепринятым правилам и требованиям по технике безопасности касательно эксплуатации электрических приборов.

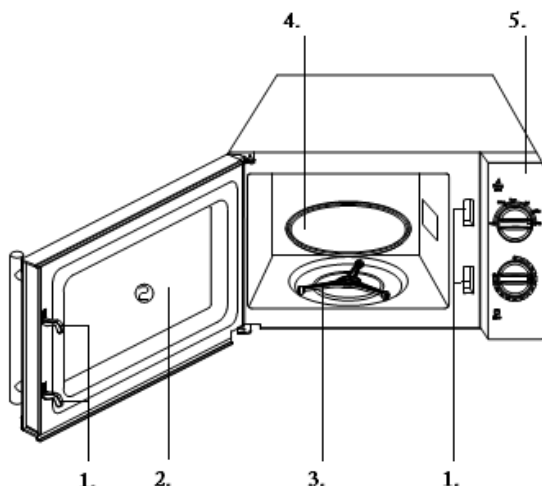
1. Перед использованием прибора правильно установите всё оборудование (вращающуюся опору, стеклянную тарелку и пр).
2. Используйте печь только для приготовления пищи. Категорически запрещается сушить одежду, бумагу и другие предметы в печи. Не используйте печь для стерилизации.
3. Не включайте печь пустой. Это может её повредить.
4. Не используйте печь для хранения книг, бумаги и других предметов.
5. Не используйте печь для консервации продуктов, так как она не предназначена для этого. Законсервированные неправильным образом продукты могут испортиться и таким образом являться опасными для здоровья человека.
6. Не готовьте яйца в скорлупе: они могут взорваться. Когда вы готовите яйца, накройте их крышкой и дайте постоять минуту после приготовления.
7. Перед тем, как готовить такие продукты, как сосиски, яичные желтки, картофель, куриную печень и др. (то есть продукты, покрытые оболочкой), проколите их несколько раз вилкой.
8. Не вставляйте предметы в отверстия между дверцей и корпусом печи.
9. Никогда не снимайте детали печи (ножки, крепления, винты и т. д.).
10. Не готовьте пищу непосредственно на стеклянной тарелке. Перед приготовлением положите продукты в соответствующую посуду.
11. Подогрев пищи в микроволновой печи может привести к тому, что даже после того, как Вы вынули жидкие продукты из печи, они какое-то время могут продолжать кипеть. Будьте осторожны.
12. Регулярно чистите печь мягкими моющими веществами. Удаляйте из внутренней полости остатки пищи.
Непромытая печь может привести к риску для безопасности и здоровья.
13. При подогреве пищи в пластиковой и бумажной посуде, приглядывайте за процессом.

ВАЖНО! ПОСУДА, НЕ ПОДХОДЯЩАЯ ДЛЯ ИСПОЛЬЗОВАНИЯ В МИКРОВОЛНОВОЙ ПЕЧИ:

- металлические сковороды, кастрюли и посуда с металлическими ручками.
- посуда с металлическими элементами.
- бумажная посуда с проволочными завязками и пластиковые упаковки.
- меламиновая посуда, так как материал, который входит в его состав, поглощает микроволновую энергию. Это может привести к порче посуды и уменьшению скорости приготовления.
- глянцевая посуда.
- посуда с узким горлышком.
- обычные термометры для мяса и сладостей. Для микроволновой печи существует специально разработанный термометр, которым можно пользоваться при необходимости.

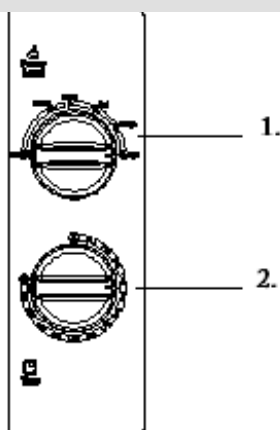
14. Посуду для микроволновой печи используйте только согласно инструкциям производителя.
15. Не пытайтесь жарить продукты в микроволновой печи.
16. В микроволновой печи продукты нагреваются быстрее, чем контейнер. Помните: даже если крышка не горячая на ощупь, то продукты под ней имеют высокую температуру, и будут создавать столько же пара, как и на обычной плите.
17. Всегда проверяйте температуру приготовленной пищи, особенно, если вы готовите её для младенцев. Желательно не употреблять пищу сразу после приготовления. Дайте ей постоять несколько минут и перемешайте для равномерного распределения температуры.
18. Продукты с содержанием жира и воды необходимо оставить в печи на 30-60 секунд после приготовления. Это даёт возможность смеси настояться и предотвращает образование пузырей.
19. Некоторые продукты (например, пудинги, джем и др.) очень быстро нагреваются. При приготовлении пищи, которая содержит много жира или сахара, нельзя использовать пластиковую посуду.
20. Ёмкость, в которой находится пища, тоже может нагреваться от пищи. Это особенно важно, если в посуде присутствуют элементы пластика. Здесь понадобится держатель, чтобы достать посуду из печи.

ОПИСАНИЕ ПРИБОРА



1. Система блокировка дверцы
2. Смотровое окошко
3. Вращающаяся опора
4. Стеклоанная тарелка
5. Панель управления

ПАНЕЛЬ УПРАВЛЕНИЯ



- 1 - Таймер (0 - 30 минут)
- 2 - Регулятор мощности.

БЫСТРЫЙ ГИД ПО ПРИГОТОВЛЕНИЮ

1. Поместите продукты в печь. Выберите уровень мощности, поворачивая кнопку **Регулятор мощности**.
2. Выберите время приготовления, поворачивая кнопку **Таймера**.

Если Вы хотите разморозить продукты:

1. Поверните кнопку **Регулятор мощности** на "★".
2. Поверните кнопку **Таймера**, чтобы выбрать время разморозки.

Как работает микроволновая печь

Энергия, высвобождаемая высокочастотными электромагнитными волнами, позволяет разогревать или приготавливать пищу, не влияя на ее форму и цвет. С помощью микроволновой печи можно размораживать, быстро разогревать и готовить пищу.

ПРИНЦИП РАБОТЫ

1. Микроволны, производимые магнетроном, распределяются по всему объему продуктов, находящихся на вращающейся стеклянной тарелке, поэтому продукты приготавливаются равномерно.
2. Микроволны проникают в пищу на глубину примерно одного дюйма (2,5 см). По мере поглощения тепла продуктами процесс приготовления продолжается.
3. Время приготовления зависит от вида продукта и его свойств:
 - размер и плотность,
 - содержание воды/влаги,
 - исходная температура (охлажденные продукты).

Поскольку приготовление пищи происходит путем распространения тепла внутри продуктов, процесс продолжается и после того, как Вы вынете блюдо из печи. Поэтому всегда принимайте в расчет время, в течение которого блюдо, вынутое из печи, должно постоять (оно указывается в рецептах и в данной брошюре), чтобы:

- пища приготовилась равномерно на всю глубину,
- температура была одинаковой по всему объему.

Как проверить, что микроволновая печь работает правильно:

1. Поставьте чашку с водой на стеклянную тарелку.
2. Установите переключатель уровня мощности на максимальную величину.
3. С помощью таймера установите время 4 - 5 минут. Печь должна быть подключена к соответствующей сетевой розетке. Стеклянная тарелка должна быть правильно установлена. Если установить уровень мощности ниже максимального, то потребуется больше времени для того, чтобы вода закипела.

НИКОГДА НЕ ВКЛЮЧАЙТЕ ПУСТУЮ ПЕЧЬ.

Что делать, если у Вас возникли сомнения или проблемы:

Если Вы столкнулись с ситуациями, перечисленными ниже, попробуйте воспользоваться предлагаемыми решениями. Все в порядке, если Вы заметили, что:

- в печи образовался конденсат;
- поток воздуха проникает через уплотнитель дверцы или пар образуется вокруг корпуса;
- свет проникает через уплотнитель дверцы;
- пар скапливается вокруг дверцы или вентиляционных отверстий.
- Если печь не начинает работать, когда Вы поворачиваете таймер:
 - Плотно ли закрыта дверца?
- Если продукты не приготовлены:
 - Правильно ли Вы установили таймер? Закрыта ли дверца?
 - Возможно, из-за перегрузки электропроводки перегорели предохранители или сработало автоматическое отключение?
- Продукты недоварены или переварены:
 - Правильно ли Вы установили время приготовления?
 - Правильно ли Вы выбрали уровень мощности?
- Внутри печи наблюдается искрение и треск (электрический пробой):
 - Возможно, вы использовали посуду с металлическими частями?
 - Возможно, Вы оставили вилку или другой металлический предмет в печи?
 - Возможно, алюминиевая фольга находится слишком близко к внутренним стенкам?

УРОВНИ МОЩНОСТИ	
Высокий (High)	100%
Средне-высокий (Medium High)	85%
Средний (Medium)	66%
Средне-низкий (Medium Low)	48%
Низкий (Low)	17%
Размораживание (Defrost)	40%

Инструкции по работе с прибором

РАЗМОРАЖИВАНИЕ

Функция размораживания позволяет размораживать мясо, птицу и рыбу. Положите замороженные продукты на центр стеклянной тарелки и закройте дверцу.

1. Установите регулятор мощности в положение "DEFROST" (Размораживание) на уровень мощности между средним (Medium) и средне-низким (Medium Low).
2. С помощью таймера установите нужное время.

ПРИГОТОВЛЕНИЕ/РАЗОГРЕВАНИЕ

Для приготовления или разогрева продуктов надо действовать следующим образом. Во время работы печи ВСЕГДА проверяйте установки, прежде чем отойти от нее. Сначала поместите продукты в печь на середину стеклянной тарелки. Закройте дверцу.

1. С помощью регулятора мощности установите максимальный уровень (high: 700Watt).
2. С помощью таймера установите время приготовления. В печи зажжется свет, и тарелка начнет вращаться.
3. В процессе приготовления можно изменять уровень мощности с помощью регулятора.

ОСТАНОВКА ПРОЦЕССА ПРИГОТОВЛЕНИЯ

1. Для временной остановки (приостановки) приготовления:
- откройте дверцу, и приготовление остановится, а когда Вы закроете дверцу, возобновится.
2. Для полной остановки (прекращения) приготовления: установите таймер в положение 0.

РУКОВОДСТВО ПО МАТЕРИАЛАМ

Емкости и материалы	Применение в микроволновой печи	Примечание
Алюминиевая фольга	С осторожностью	Можно использовать небольшие куски для защиты продуктов от перегрева; если фольги слишком много или расстояние между ней и стенками печи небольшое, может возникнуть искрение
Блюдо для запекания	Да	Нагревать не более 8 минут
Фаянс и керамика	Да	Без металлической отделки
Одноразовая пластиковая и картонная посуда	Да	Такую упаковку иногда имеют замороженные продукты
Полистироловая упаковка для "fast food"	Да	Можно использовать для разогрева еды, однако от перегрева полистирол может расплавиться
Бумажные пакеты/газеты	Нет	Может загореться
Вторичная бумага или металлическая упаковка	Нет	Может вызвать искрение
Емкости из жаропрочного стекла	Да	Без металлической отделки
Посуда из тонкого стекла	Да	При быстром разогреве хрупкое стекло может лопнуть
Стекланная тара	Да	Использовать без крышки и только для разогрева
Металлические емкости	Нет	Могут вызвать искрение или пожар
Пакеты для заморозки с металлическими завязками	Нет	Могут вызвать искрение или пожар
Бумажные тарелки, чашки, салфетки, полотенца	С осторожностью	Для непродолжительного приготовления или разогрева или для поглощения излишней влаги
Вторичная бумага	Нет	Может вызвать искрение
Пластиковые контейнеры	Да	Лучше всего использовать жаропрочный пластик, т.к. другие виды могут деформироваться или потерять цвет НЕ ИСПОЛЬЗУЙТЕ МЕЛАМИН.
Липкая пленка	Да	Может использоваться для удержания влаги, не должна соприкасаться с продуктами; снимать с осторожностью
Пакеты для заморозки	С осторожностью	Только пакеты, годные для кипячения или для приготовления в печи; герметичные пакеты необходимо проткнуть вилкой
Вощеная или промасленная бумага	Да	Может использоваться для предотвращения разбрызгивания или для удержания влаги.

РАЗМОРАЖИВАНИЕ

Микроволны – идеальный способ размораживания замороженных продуктов. Они бережно размораживаются за короткое время. Это особенно удобно, если к Вам неожиданно пришли гости.

Замороженная птица должна полностью оттаять перед приготовлением. Удалите все металлические завязки и выньте птицу из упаковки, чтобы оттаявшая жидкость могла вытекать. Положите замороженный продукт в емкость без крышки. По истечении половины времени размораживания, переверните продукт, вытрите растаявшую жидкость и выньте потроха, как только это будет возможно.

Время от времени проверяйте, не нагревается ли продукт. Если мелкие или тонкие части замороженного продукта начнут нагреваться, их можно обернуть полосками алюминиевой фольги на время дальнейшего размораживания.

Если птица начнет снаружи нагреваться, остановите размораживание и подождите не менее 20 минут, прежде чем продолжить.

ПОДСКАЗКА: плоские продукты размораживаются лучше, чем толстые куски, а для небольшого объема нужно меньше времени, чем для большого. Помните об этом, размораживая продукты.

Очистка микроволновой печи

Следующие части микроволновой печи необходимо регулярно очищать, чтобы не скапливался жир и остатки пищи:

- Внутренние и внешние поверхности
- Дверцу и ее уплотнитель
- Стеклопанель тарелку и вращающуюся опору.

Всегда следите за тем, чтобы уплотнитель дверцы был чистым, и дверца хорошо закрывалась.

1. Внешние поверхности протирайте мягкой тканью, смоченной теплой мыльной водой.
2. Удалите все брызги и пятна на внутренних поверхностях и вращающейся опоре тканью, смоченной мыльной водой, смойте водой и вытрите насухо.
3. Для того, чтобы удалить засохшие частицы пищи и устранить неприятный запах, поставьте на стеклянную тарелку чашку с разбавленным лимонным соком и нагревайте 10 минут при максимальной мощности.
4. Регулярно мойте стеклянную тарелку с использованием средства для мытья посуды или в посудомоечной машине.

Следите за тем, чтобы вода не попадала в вентиляционные отверстия.

Не используйте абразивные и агрессивные чистящие средства.

Обратите особое внимание на очистку уплотнителя дверцы, следите за тем, чтобы на нем не скапливалась грязь, которая может помешать плотному закрыванию дверцы.

Защита окружающей среды

После окончания срока службы не выбрасывайте прибор вместе с бытовыми отходами.

Передайте его в специализированный пункт для дальнейшей утилизации. Этим Вы можете защитить окружающую среду.

Гарантия и обслуживание

Для получения дополнительной информации или в случае возникновения проблем обратитесь в Центр поддержки покупателей в вашей стране (номер телефона центра указан на гарантийном талоне). Если подобный центр в вашей стране отсутствует, обратитесь в вашу местную торговую организацию Gorenje или в отдел поддержки покупателей компании Gorenje Domestic Appliances.

Адреса и телефоны авторизованных сервисных центров размещены в брошюре «Гарантийные обязательства» или в гарантийном талоне.

Только для домашнего использования.

Производитель оставляет за собой право на внесение изменений.

gorenje

**ПОЛЬЗУЙТЕСЬ ПРИБОРОМ
В СВОЕ УДОВОЛЬСТВИЕ!**