

timberk

Instruction Manual
Руководство по эксплуатации



*Electric Storage
Water Heater*

*Накопительный
электрический
водонагреватель*

Models / Модели

SWH SE1 10 VU

SWH SE1 10 VO

SWH SE1 15 VU

SWH SE1 15 VO

SWH SE1 30 VU

SWH SE1 30 VO

*with upper connection /
с верхним подключением*

*with lower connection /
с нижним подключением*

*The manufacturer is entitled to modify design and colour scale of the device without any special notice.
Производитель вправе менять внешний вид прибора и цветовую гамму прибора без специального уведомления.*

CONTENTS

1. Important information	2
2. Precautions	2
3. Performance characteristics	3
Main distinctive features	3
Technical characteristics	4
4. Water heater description	4
5. Delivery set	5
6. Water heater installation	5
Location	5
Water heater mounting	5
Connection to the water main	6
Connection to the electrical main	6
7.	7
8. Water heater control	7
9. Maintenance	7
10. Troubleshooting	9
11. Basic circuit diagram	9
12. Utilization	9

Dear customer!

We thank you for your happy choice! You've bought an electric storage water heater Timberk with enameled inner tank. It will serve you for a long time.


Electric storage water heaters Timberk will provide you with a lot of water and automatically maintain preset temperature. They are perfect to supply with hot water country houses, cottages, baths and other personal service rooms.

1. IMPORTANT INFORMATION

Please, read this instruction manual carefully prior to use of the water heater.

This instruction manual contains important information concerning your safety as well as recommendations on proper use of the appliance and its maintenance. Save this instruction manual together with the guarantee card, cash register receipt, cardboard box, if possible, and packing material. Different types of this device are described in this manual.

The water heater purchased by you may slightly differ from the one described in the manual, but that does not affect its use and operation.

 **IMPORTANT SAFETY PRECAUTIONS AND INSTRUCTIONS CONTAINED IN THIS MANUAL DO NOT INCLUDE ALL THE POSSIBLE MODES AND SITUATIONS TO BE ENCOUNTERED. IT IS NECESSARY TO UNDERSTAND THAT COMMON SENSE, CAUTION AND ACCURACY SERVE AS FACTORS WHICH CANNOT BE 'BUILT IN' IN ANY PRODUCT. THESE FACTORS SHOULD BE CONSIDERED BY A PERSON INTERESTED IN PROPER OPERATION OF THE APPLIANCE. THE MANUFACTURER IS NOT RESPONSIBLE FOR ANY DAMAGES OF THE APPLIANCE OR ITS PARTS DURING TRANSPORTATION, CAUSED BY IMPROPER INSTALLATION, VOLTAGE FLUCTUATIONS AS WELL AS WHEN ANY PART OF THE APPLIANCE HAS BEEN CHANGED OR MODIFIED.**

2. PRECAUTIONS

Certain precautions are to be observed upon use of the water heater. Improper use due to ignoring precautions may harm health of the user and other people as well as damage their property.

1. Any electrical appliance must be under control upon its use, especially if there are children nearby. Make sure children do not touch the appliance.
2. Prior to installation of the water heater, not connecting it to the electrical main, check and make sure that the outlet for the water heater has a ground contact and it is properly earthed. If there is no earth loop in your electrical main then using of the water heater will be dangerous for your life.
3. Connect the water heater only to 220V / 50Hz electrical main. If necessary, find out parameters of your main at power suppliers.
4. To prevent overheating and risk of fire as well as damage of inner electrical main do not modify the power cord's length and do not connect the water heater through power extension cord.

5. It is forbidden to switch on the water heater if it is not filled with water or if water cannot go through the pressure safety valve.
6. Never use the water heater if it is damaged.
7. Do not remove the water heater cover when it is in operation.
8. Immediately unplug the water heater from the electrical main if strange sounds, odour or smoke comes out from it.
9. Always unplug the water heater from the electrical main during thunderstorm.
10. Prior to cleaning and maintenance of the water heater unplug it from the electrical main every time. Cleaning and maintenance must be performed in compliance with the instructions contained in this manual.
11. Do not use hazardous chemical substances to clean the water heater and prevent their contact with the appliance.
12. To prevent electrical shock the damaged power cord must be replaced only by qualified specialists in manufacturer's authorized service centres.
13. To prevent electrical shock do not place the power cord nearby heating devices and flammable or combustible agents.
14. As temperature of water in the water heater can reach 75°C when it is in operation you should not place your body parts under hot water upon the first run. To prevent burns you should adjust the temperature of the outflowing water.
15. Do not use the water heater for purposes not stipulated in this instruction manual.
16. Do not use the water heater in an explosive or corrosive environment. Do not store petrol and any other volatile flammable liquids near to the appliance. It is very dangerous!
17. It is forbidden to make alterations in the design of the water heater or modify it.
18. Any service works must be performed by a specialized organisation and qualified specialists. Improper installation may cause voiding of guarantee maintenance.
19. The water heater is not intended for use by children and persons with reduced physical, sensory or mental capabilities, or a lack of experience and knowledge unless they are under supervision or instructed on using of the appliance by a person responsible for their safety. Children should be controlled to ensure that they do not play with the appliance.

3. PERFORMANCE CHARACTERISTICS

Main distinctive features

1. Completely automatic control: automatic water heating, continuous automatic water temperature control.
 2. Protection system:
 - Drop Defense – leakage protection and protection against excessive pressure inside the tank (pressure safety valve);
 - HOT Defense – two-level overheating protection (temperature detector and temperature limiter).
 3. Steel inner tank with special protection coat from titanium finely-divided glass enamel drawn down by the modern method of electrostatic dry enamelling is resistant to corrosion and boiler scale. Additionally, enamel possesses increased adhesive capacity and high flexibility (heat-treated at the temperature of 850°C) that allow it to expand and shrink upon temperature differentials in the same proportion as the walls of the inner tank not forming micro-cracks in which corrosion pits can appear.
 4. Pipes of heating elements are designed taking into account high heating load: safe and reliable with increased service life.
 5. The water heater is fitted with an anode rod for protection against corrosion of the inner tank and decrease of boiler scale on the heating element.
 6. Inner urethane foam insulation of increased thickness allows for effective retain of temperature of heated water and minimizes heat losses decreasing power consumption of the water heater.
- The water heater has simple design and it is convenient in service.

Technical characteristics

Technical characteristics of water heater are given below in Table 1.

Table 1

Name	Unit of measurement	Product item of		
		SWH SE1 10 VO SWH SE1 10 VU	SWH SE1 15 VO SWH SE1 15 VU	SWH SE1 30 VO SWH SE1 30 VU
Tank capacity	l	10	15	30
Operating power consumption	kW	2	2	2
Rated voltage (AC)	V	~220	~220	~220
Process pressure	Mpa	0,75	0,75	0,75
Electrical protection class	–	I	I	I
Water protection class	–	IPX4	IPX4	IPX4
Rated current	A	9,1	9,1	9,1
Appliance dimensions (HxWxD)	mm	335x335x285	355x355x335	435x435x380
Constant daily loss	kW-h/day	0,65	0,7	1
Factual year energy consumption	kW-h	219	251,85	354,05
NET weight	kg	7,5	8,0	11,9

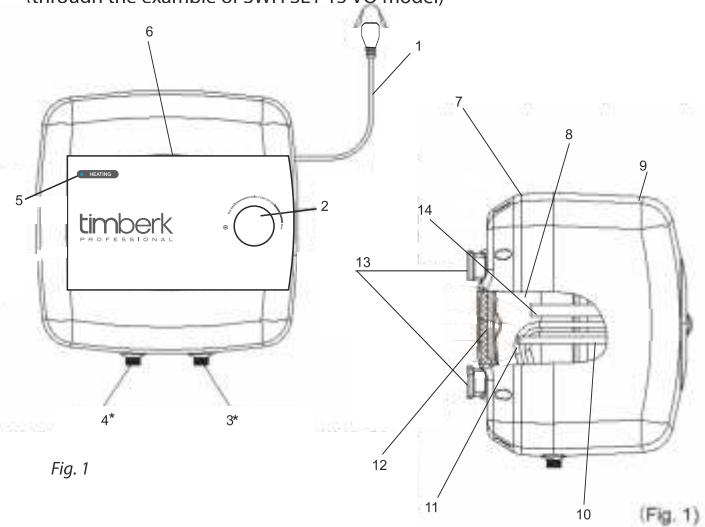


ATTENTION!

Technical characteristics of the water heater you purchased correspond to data specified in the table as of the date of manufacture. Technical characteristics and delivery set can be revised by the manufacture without any prior notice.

4. WATER HEATER DESCRIPTION

(through the example of SWH SE1 15 VO model)



1. Power cord
2. Temperature controller handle
3. Inlet nozzle*
4. Outlet nozzle*
5. "HEATING" indicator lamp
6. Face panel cover
7. Back panel
8. Inner tank
9. Face panel
10. Temperature controller pipe
11. Heating element
12. Thermal insulation
13. Carrier
14. Magnesium anode

* SWH SE1 VU series requires upper connection of water inlet and outlet; nozzles in this model are located in the upper part of the water heater.

5. DELIVERY SET

- Electric storage water heater – 1 pc.
- Pressure safety valve – 1 pc.
- Anchor bolt – 2 pcs.
- Instruction manual – 1 pc.
- Guarantee card – 1 pc.
- Packing – 1 pc.

6. WATER HEATER INSTALLATION

Location

1. The water heater of **SWH SE1 VO series** can be installed over a washbasin, a kitchen sink or in any other place where it will not hinder you. The water heater of **SWH SE1 VU series** can be installed under a washbasin, a kitchen sink or in any other place where it will not hinder you.
2. Electric water heater should be mounted on a firm wall.
3. The wall where the electric water heater is to be mounted must withstand at least the double weight of the water heater fully filled with water. There must be no cracks and other damages on the wall. Otherwise, it is necessary to take measures to strengthen the mounting or install the water heater on a special support.
4. If a bathroom is too small the water heater can be installed in any other place unexposed to direct sunlight and beyond the reach of moisture. However, to reduce heat losses in pipelines the location where the water heater is to be installed must be as close to the place of hot water use as possible.

Water heater mounting



NOTE:

To install the water heater, please, use accessories provided by the manufacturer. Electric water heater must not be mounted onto the wall before you make sure that the carrier is installed firmly and securely. Otherwise, the electric water heater may fall down from the wall that may cause its damage and even more serious accidents involving harm to health and personal injuries.

1. After you have chosen a proper place to install the water heater determine points for holes for anchor bolts with hooks. Distance between expansion bolts must be 200 mm. Drill two holes of corresponding depth in the wall using a drill dimensionally fit for anchor bolts delivered together with the water heater. Insert bolts. Tighten nuts securely turning the hooks upwards. Then hang the electric water heater on these hooks (figure 3).
2. Fasten an AC main socket to the wall. Requirements to the socket are as follows: 220V / 10A, single-phase, three wires. It is recommended to place the socket from the right side higher of the water heater.

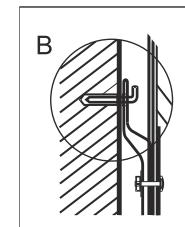


Fig. 3



NOTE:

In the places accessible for water the AC electrical main socket must be installed on a height of at least 1.8 m from the ground.

Connection to the water main

1. The water heater must be connected to the water main with minimum pressure of 0.1 MPa and maximum pressure of 0.7 MPa.



NOTE:

The water heater is the appliance operating in such a manner that pressure of water in the water heater corresponds to the pressure of water in the water main. If pressure in the water main exceeds 0.7 MPa then it is necessary to install a pressure reducer before the water heater so that pressure will not exceed 0.7 MPa.

2. To connect the water heater to the water main apply pipes with diameter of G1/2.
3. To prevent water leakage when connecting pipes use rubber sealing gaskets on the threaded pipe ends.
4. Screw the safety pressure valve onto the inlet nozzle marked with blue colour and an arrow pointed water flow direction so that the water flow direction coincides with direction of the arrow on the valve case.



NOTE:

Do not install additional accessories, such as a cut-off valve, between the safety pressure valve and inlet nozzle.

5. Connect the water heater with the mounted valve to the water main; install a cut-off valve at the water inlet point.
6. Connect a desired number of consumption points to the outlet nozzle marked with red colour.
7. Check leak tightness of joints: open the cut-off valve and one of the outlet valves. After the tank is filled with water, as evidenced by outflow of water from the outlet valve, turn off the outlet valve and check leak tightness of all the joints.



ATTENTION!

If water in the location of installation contains a large amount of calcium, manganese or ferric salts it is necessary to mount an appropriate filter in the supply system to reduce the amount of boiler scale in the tank and on the heating element.

Connection to the electrical main



ATTENTION!

Prior to connecting the tank water heater make sure that the water heater is properly grounded. Proper grounding is important to minimize electric shocks and risk of fire. The power cord is equipped with a plug with a grounding pin. The appliance must be used with a properly grounded power outlet. If the outlet you intend to use is not properly grounded or grounded by a time-delay fuse or a circuit breaker address to a qualified electrician to install a proper outlet.

1. The water heater is designed to be connected to 220V single-phase electrical main. Prior to connecting make sure that parameters of the electrical main in the point of connection correspond to the parameters specified on the identification plate with technical characteristics of the appliance. You should observe the current electrical safety code when installing the water heater.
2. Power outlet must be designed for rated current of 10A at least; copper-conductor power cord must be at least 3x1.5 mm² in cross-section (for copper). The power outlet and the plug must always remain dry to prevent current leakage. Check regularly if the power plug is tightly connected to the outlet. Do it in the following order: insert the power plug into the outlet; in half an hour switch off the water heater and unplug the cord; check by your hand if the plug is heated. If the plug is heated over 50°C replace the outlet with a new one to prevent damages, accidents and fire due to bad electrical contact. A specialist must do this.

! ATTENTION!

To guarantee reliable operation and safe use of the water heater check prior to the first run if it is properly connected to the 220V AC electrical main. The water heater to be connected must be securely wired up to the earth loop of your electrical main.

7. HOW TO CONTROL WATER HEATER OPERATIONS

Control panel (fig. 4)



Fig. 4

1. Thermostate handle
2. «HEATING» indicator lamp

8. WATER HEATER CONTROL

1. At first, open one of the outlet valves on the outlet of the water heater; then open the inlet valve. The electric water heater will start filling in with water. When water flows from the outlet valve freely it means that the water heater is fully filled with water, and you can close the outlet valve.

Warning: During normal operation the inlet valve must be set open.

2. Plug the power cord into the outlet, after this the handle light will be on.

! ATTENTION!

Power outlet must be designed for rated current of 10A at least; copper-conductor power cord must be at least 3x1.5 mm² in cross-section (for copper).

3. Set the desired temperature of water by the temperature controller handle by rotating the handle; «HEATING» indicator lamp (fig. 4) will flash on. When water reaches the preset temperature «HEATING» indicator lamp will go out. When water temperature drops to a certain level heating will be switched on automatically and restore the required water temperature.

4. After rotating the handle to the position «MIN» the minimum temperature (+35°C) would be set. After putting the handle in to position «MAX», the maximum temperature would be set (+75°C ± 5°C)

5. There is a «COMFORT» sign on the panel. It signifies optimal temperature of heating. Fixing the temperature controller handle in position «COMFORT» you choose the most efficient mode of electricity consumption.

6. To turn off the water heater set the switch handle to position «MIN» and unplug the power cord.

! ATTENTION!

Water can drip from the pressure safety valve upon heating. IT IS IMPOSSIBLE TO AVOID DRIPPING AND IT IS FORBIDDEN TO PREVENT IT BECAUSE IT CAN RESULT IN TANK RUPTURE (IN THE CASE OF EQUIPMENT FAILURE). Working ability of the pressure safety valve should be inspected every 14 days. The inspection method is described in the section 9 (MAINTENANCE).

9. MAINTENANCE

1. Check the power plug and outlet as often as possible. Secure electrical contact and proper grounding must be granted. The plug and outlet must not heat excessively.

2. If the water heater is not used for a long time, especially in regions with low air temperature (below 0°C), it is necessary to drain the water heater to prevent damage of the appliance (due to water freezing in the inner tank). To do so it is necessary to:

- disconnect the water heater from the electrical main;
- turn the water off by the cut-off valve;
- open the hot water tap and drain the system.

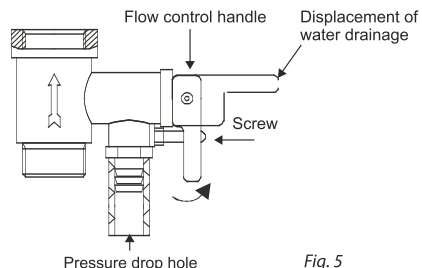


Fig. 5

For SWHSE1V0 series:

- unscrew the back pressure safety valve screw and set the handle in horizontal position; water will flow out from the pressure relieving opening (refer to the figure 5).

For SWHSE1VU series:

- disconnect the water heater from the water main and consumption point; rotate it 180 degrees; water will flow out from the outlet nozzle. It is possible not to drain the tank, but set the water heater on minimum heating temperature with constant connection to electrical supply.



ATTENTION!

Never drain the appliance if water temperature is over 50°C since it may result in burns.

3. To ensure long-term reliable operation of the water heater it is recommended to clean the inner tank regularly and remove deposits from the electric heating elements of the appliance as well as check condition (fully decomposed or not) of the magnesium anode and, if necessary, replace it with a new one in case of full decomposition.

Frequency of tank cleaning depends upon hardness of water available in a given territory. Cleaning must be performed by special maintenance services. You can ask the seller for the address of the nearest service centre or find it on the website www.timberk.com.



ATTENTION!

The manufacturer grants an extended guarantee for particular water heater components provided that timely and proper routine maintenance is performed by specialists of an authorized service centre (see the guarantee card).

4. Schedule maintenance should be performed under strict observance of this instruction manual and safety precautions.

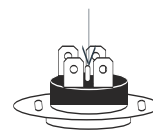


Fig. 6

5. **The water heater is equipped with a temperature limiter (figure 5)** which cuts off power supply to the heating element upon water overheating or its absence in the water heater. If the water heater is connected to the electrical main, but water does not heat and the handle lamp does not light then the temperature limiter was switched off or not switched on. To reset the water heater to the operating condition it is necessary to:

- **unplug the water heater from the electrical main**, remove the face panel cover;

- press the button located in the centre of the temperature limiter placed on the heating element until it clicks;

- if the button cannot be pressed and there is no click then you should wait until the temperature limiter cools down to the initial temperature.



ATTENTION!

If these actions have no positive result or the temperature limiter turns off repeatedly during a short period of time then you should unplug the water heater from the electrical main, cut off water supply and contact your local Timberk Authorized Service Centre for a consultation or repair of the appliance.

6. Bear in mind to check serviceability of the pressure safety valve every 14 days. The inspection method is as follows:

- turn the handle for draining to the upper position until you feel the change of thread, then water must start flowing out from the valve opening; after checking the water outflow return the handle to its initial position.



ATTENTION!

If water does not flow then the valve is damaged. In this case you must not use the heater; it is recommended to call for a service technician.

7. Wipe external surfaces of the water heater by a damp cloth with soap when necessary.

10. TROUBLESHOOTING

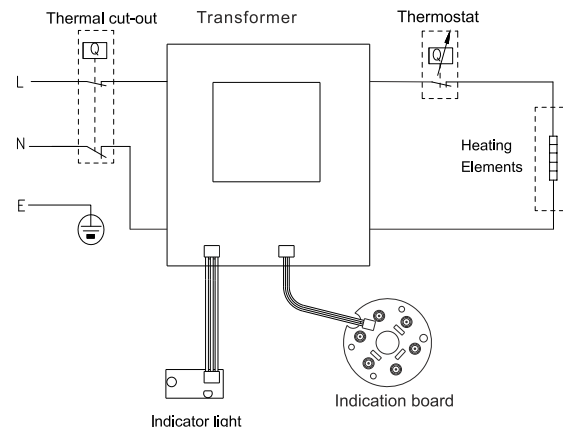
All the disorders in operation of the water heater should be fixed as well as putting of the appliance in long-term storage should be performed in appropriate service centres. The water heater must be prepared for long-term inactivity only by specially trained qualified specialists, because improperly performed repair can result in hazard during water heater operating.

You can ask the seller for the address of the nearest service centre or find it on the website www.timberk.com.

Table 2 Possible malfunctions and troubleshooting methods

FAILURE	POSSIBLE CAUSES	REMEDIAL PROCEDURE
Indicator lamps do not light, water does not heats	1. Temperature controlling device is damaged.	1. Address to a repair specialist, a Timberk authorized service centre.
	2. Temperature limiter was actuated or not switched on.	2. Switch the temperature limiter on in accordance with the instruction on its switching on.
	3. Temperature limiter is damaged.	3. Address to a repair specialist, a Timberk authorized service centre.
Water does not flow out from the hot water tap	1. Water supply is cut-off.	1. Wait until water supply is restored.
	2. Water pressure is too low.	2. Switch the water heater on again when normal water pressure restores.
	3. Cold water supply valve is closed.	3. Open the cold water supply valve.
Water temperature is too High	Water temperature control system is damaged.	Address to a repair specialist, a Timberk authorized service centre.
Water leakage	Seal at the point of pipe connection is broken.	Replace the joint seal.
Water flows out from the appliance case	1. Breaking of inner tank (corrosion)	Address to a repair specialist, a Timberk authorized service centre.
	2. Seal at the point of the heating element connection is broken.	
Heating indicator lamp lights, but water does not heats	1. Temperature controlling device is damaged.	1. Address to a repair specialist, a Timberk authorized service centre.
	2. Insufficient time for heating.	2. Wait until water heats up.
	3. Heating element is broken.	3. Address to a repair specialist, a Timberk authorized service centre.

11. BASIC CIRCUIT DIAGRAM



12. UTILIZATION

Upon completion of service life of the water heater it should be utilized. For detailed information about the water heater utilization, please, ask local authorities. The life period of water heater is 15 years.



ATTENTION!

The manufacturer is entitled to make any changes in design of the appliance that improve its technical and other characteristics. These changes can be made without warning and any notice of customers. The manufacturer is not responsible for changing of the electric scheme of the appliance that can be made without notification of the customer.

The tank water heater is not intended to be used by children, old or disabled people without control. Make sure to use the water heater carefully, do not switch between modes abruptly, follow closely recommendations set forth in this instruction manual. Children nearby the water heater must be controlled by adults and never use the unit as a playing element.

СОДЕРЖАНИЕ

1. Важная информация.....	10
2. Меры предосторожности.....	10
3. Рабочие характеристики.....	11
Основные особенности.....	11
Технические характеристики.....	12
4. Описание водонагревателя.....	12
5. Комплект поставки.....	13
6. Установка водонагревателя.....	13
Местоположение.....	13
Монтаж водонагревателя.....	13
Подключение к водопроводной магистрали.....	14
Подключение к электрической сети.....	14
7. Управление водонагревателем.....	15
8. Эксплуатация водонагревателя.....	15
9. Обслуживание.....	15
10. Устранение неисправностей.....	17
11. Электрическая принципиальная схема.....	17
12. Утилизация.....	17
13. Информация о сертификации.....	18

Уважаемый покупатель!

Благодарим Вас за удачный выбор. Вы приобрели электрический накопительный водонагреватель Timberk с эмалированным покрытием внутреннего резервуара. Он прослужит Вам долго.

Электрические накопительные водонагреватели Timberk готовят большое количество горячей воды и будут поддерживать заданную температуру автоматически. Они идеально подходят для снабжения горячей водой загородных домов, коттеджей, бань и прочих индивидуальных бытовых помещений.

1. ВАЖНАЯ ИНФОРМАЦИЯ

Просим внимательно ознакомиться с руководством по эксплуатации перед использованием водонагревателя.

В данном руководстве по эксплуатации содержится важная информация, касающаяся Вашей безопасности, а также рекомендации по правильному использованию прибора и уходу за ним. Сохраните руководство по эксплуатации вместе с гарантийным талоном, кассовым чеком, по возможности, картонной коробкой и упаковочным материалом. В данном руководстве по эксплуатации описываются разные виды данного типа устройства.

Приобретенный Вами водонагреватель может несколько отличаться от описанного в руководстве, что не влияет на способы использования и эксплуатации.

! ВАЖНЫЕ МЕРЫ ПРЕДОСТОРОЖНОСТИ И ИНСТРУКЦИИ, СОДЕРЖАЩИЕСЯ В ДАННОМ РУКОВОДСТВЕ, НЕ ВКЛЮЧАЮТ ВСЕХ ВОЗМОЖНЫХ РЕЖИМОВ И СИТУАЦИЙ, КОТОРЫЕ МОГУТ ВСТРЕЧАТЬСЯ. НЕОБХОДИМО ПОНИМАТЬ, ЧТО ЗДРАВЫЙ СМЫСЛ, ОСТОРОЖНОСТЬ И ТЩАТЕЛЬНОСТЬ ЯВЛЯЮТСЯ ФАКТОРАМИ, КОТОРЫЕ НЕВОЗМОЖНО «ВСТРОИТЬ» НИ В ОДИН ПРОДУКТ. ЭТИ ФАКТОРЫ ДОЛЖЕН УЧИТЫВАТЬ ЧЕЛОВЕК, КОТОРЫЙ ЗАИНТЕРЕСОВАН В НАДЛЕЖАЩЕЙ ЭКСПЛУАТАЦИИ УСТРОЙСТВА. ИЗГОТОВИТЕЛЬ НЕ НЕСЕТ ОТВЕТСТВЕННОСТИ В СЛУЧАЕ ПОВРЕЖДЕНИЯ ПРИБОРА ИЛИ ЕГО ОТДЕЛЬНЫХ ЧАСТЕЙ ВО ВРЕМЯ ТРАНСПОРТИРОВКИ, В РЕЗУЛЬТАТЕ НЕПРАВИЛЬНОЙ УСТАНОВКИ, В РЕЗУЛЬТАТЕ КОЛЕБАНИЙ НАПРЯЖЕНИЯ, А ТАКЖЕ В СЛУЧАЕ, ЕСЛИ КАКАЯ-ЛИБО ЧАСТЬ ПРИБОРА БЫЛА ИЗМЕНЕНА ИЛИ МОДИФИЦИРОВАНА.

2. МЕРЫ ПРЕДОСТОРОЖНОСТИ

При использовании водонагревателя, необходимо соблюдать ряд мер предосторожности. Неправильная эксплуатация в силу игнорирования мер предосторожности может привести к причинению вреда здоровью пользователя и других людей, а также нанесения ущерба их имуществу.

1. Любой электроприбор должен находиться под наблюдением во время его эксплуатации, особенно, если неподалёку от него находятся дети. Внимательно следите за тем, чтобы дети не прикасались к прибору.

2. Перед установкой водонагревателя, не подключая его к электросети, проверьте и убедитесь, что сетевая розетка для водонагревателя имеет контакт заземления и правильно заземлена. При отсутствии заземляющего контура в вашей электросети эксплуатация водонагревателя опасна для жизни.

3. Подключайте водонагреватель только к сети 220 В/50Гц. При необходимости выясните характеристики своей сети у поставщиков электроэнергии.
4. Во избежание перегрева и риска возникновения пожара, а также повреждения внутренней электрической сети, не изменяйте длину сетевого шнура и не подключайте водонагреватель через электрические удлинители.
5. Запрещается включать водонагреватель, если он не наполнен водой или если обнаружена непроходимость воды через предохранительный клапан.
6. Никогда не используйте водонагреватель, если он неисправен.
7. Не снимайте крышки водонагревателя во время его работы.
8. Незамедлительно отключите водонагреватель от электрической сети, если от него идут странные звуки, запах или дым.
9. Всегда отключайте водонагреватель от электрической сети во время грозы.
10. Перед началом чистки и технического обслуживания водонагревателя всегда отключайте его от электрической сети. Чистку и техническое обслуживание производите в соответствии с указаниями данного руководства по эксплуатации.
11. Не используйте опасные химические вещества для чистки водонагревателя и не допускайте их попадания на него.
12. Во избежание опасности поражения электрическим током, поврежденный сетевой шнур должен меняться только в авторизованных сервисных центрах изготовителя, квалифицированными специалистами.
13. Во избежание опасности поражения электрическим током не размещайте шнур питания рядом с нагревательными приборами и легковоспламеняющимися или горючими веществами.
14. Поскольку температура воды в водонагревателе может достигать 75°C, при использовании водонагревателя не следует подставлять части тела под горячую воду при первом включении. Для предотвращения ожогов правильно отрегулируйте температуру вытекающей воды.
15. Не используйте водонагреватель, в целях, не предусмотренных этим руководством по эксплуатации.
16. Не используйте водонагреватель во взрывоопасной или коррозионной среде. Не храните рядом с прибором бензин и другие летучие легковоспламеняющиеся жидкости, это очень опасно!

17. Запрещено вносить изменения в конструкцию водонагревателя или модифицировать его.

18. Любые сервисные работы должны производиться специализированной организацией, квалифицированными специалистами. Неправильная установка может повлечь за собой отказ в гарантийном обслуживании.

19. Водонагреватель не предназначен для использования лицами (включая детей) с ограниченными физическими, сенсорными или умственными возможностями, обладающими недостаточным опытом и знаниями, если они не находятся под наблюдением и не получили инструкций по использованию устройства от лица, ответственного за их безопасность. Необходимо, следить, чтобы дети не играли с прибором.

3. РАБОЧИЕ ХАРАКТЕРИСТИКИ

Основные особенности

1. Полностью автоматическое управление: автоматический нагрев воды, постоянный автоматический контроль температуры воды.
2. Система защиты:
 - Drop Defense - защита от протечки и избыточного давления внутри бака (предохранительный клапан)
 - HOT Defense - двухуровневая защита от перегрева (температурный датчик и ограничитель температуры)
3. Стальной внутренний резервуар со специальным защитным покрытием из титановой мелкодисперсной стекломали, нанесённой по современному методу электростатической сухой эмалировки, прочен к воздействию коррозии и накипи. Также эмаль имеет повышенную адгезивную способность и высокую пластичность (закалена при температуре 850°C), что позволяет ей расширяться или сжиматься при перепадах температур в той же пропорции, что и стенки внутреннего резервуара, не образуя микротрещин, в которых может возникнуть очаг коррозии.
4. Трубки нагревательных элементов спроектированы с учетом большой тепловой нагрузки: безопасные и надежные с увеличенным сроком службы.
5. Водонагреватель оснащен анодным стержнем для защиты от коррозии внутреннего резервуара и уменьшения образования накипи на нагревательном элементе.
6. Внутренняя утолщенная пенополиуретановая теплоизоляция

позволяет эффективно сохранять температуру нагретой воды и сводить к минимуму теплопотери, снижая энергопотребление водонагревателя.

7. Водонагреватель имеет простое устройство и удобен в эксплуатации.

Технические характеристики

Технические характеристики водонагревателя приведены в таблице 1.

Таблица 1

Наименование	Ед. изм.	Артикул		
		SWH SE1 10 VO SWH SE1 10 VU	SWH SE1 15 VO SWH SE1 15 VU	SWH SE1 30 VO SWH SE1 30 VU
Объём	л	10	15	30
Максимальная потребляемая мощность	кВт	2	2	2
Номинальное напряжение (переменное)	В	~220	~220	~220
Рабочее давление	МПа	0.75	0.75	0.75
Степень защиты	-	IPX4	IPX4	IPX4
Класс электрозащиты	-	I	I	I
Номинальная сила тока	А	9.1	9.1	9.1
Размеры прибора (ВхШхГ)	мм	335x335x285	355x355x335	435x435x380
Постоянные суточные потери	кВт·ч/сут	0.65	0.7	1
Фактическое годовое потребление электроэнергии	кВт·ч	219	251.85	354.05
Вес НЕТТО	кг	7.5	8.5	11.9

ВНИМАНИЕ!

На дату производства технические характеристики приобретенного Вами водонагревателя соответствуют данным указанным в таблице. Производитель имеет право изменить технические характеристики прибора и его комплектацию без предварительного уведомления об этом.

4. ОПИСАНИЕ ВОДОНАГРЕВАТЕЛЯ

(на примере модели SWH SE1 VO)

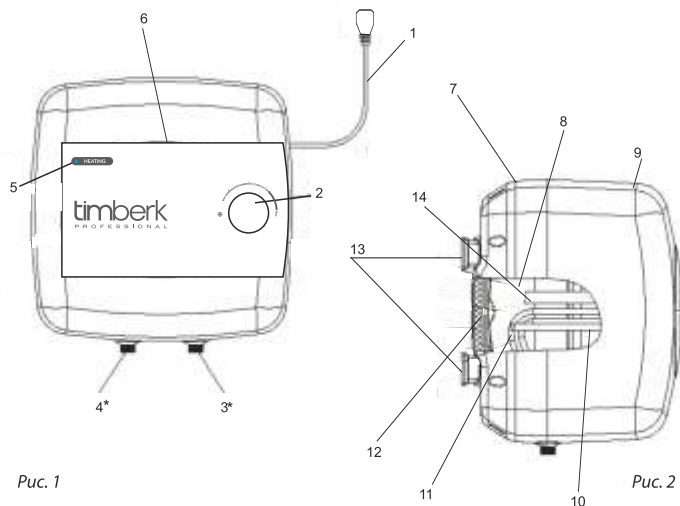


Рис. 1

Рис. 2

1. Сетевой шнур
2. Ручка терморегулятора
3. Входной патрубок*
4. Выходной патрубок *
5. Индикаторная лампочка «HEATING»
6. Накладка лицевой панели
7. Задняя панель
8. Внутренний резервуар
9. Лицевая панель
10. Трубка термостата
11. Нагревательный элемент
12. Теплоизоляция
13. Кронштейн
14. Магниевого анод

* Для моделей SWH SE1 10 VU, SWH SE1 15 VU и SWH SE1 30 VU требуется верхнее подключение входа и выхода воды и патрубки располагаются в верхней части водонагревателя.

5. КОМПЛЕКТ ПОСТАВКИ

- Накопительный водонагреватель – 1 шт.
- Предохранительный клапан – 1 шт.
- Анкерный болт – 2 шт.
- Руководство по эксплуатации – 1 шт.
- Гарантийный талон – 1 шт.
- Упаковка – 1 шт.

6. УСТАНОВКА ВОДОНАГРЕВАТЕЛЯ

Местоположение

1. Нагреватель с нижним подключением **серии SWH SE1 VO** можно устанавливать над умывальником, кухонной раковиной или в другом месте, где он не будет мешать.
- Нагреватель с верхним подключением **серии SWH SE1 VU** можно устанавливать под умывальником, кухонной раковиной или в другом месте, где он не будет мешать.
2. Электрический водонагреватель следует устанавливать на прочной стене
3. Стена, на которой устанавливается электрический водонагреватель, должна выдерживать, как минимум, двойной вес водонагревателя, полностью заполненного водой, на стене должны отсутствовать трещины и другие повреждения. В противном случае необходимо принять меры для усиления крепления или установить водонагреватель на специальной опоре.
4. Если ванная комната слишком маленькая, водонагреватель можно установить в другом месте, закрытом от прямого солнечного света и недоступном для попадания влаги. Однако для снижения потерь тепла в трубопроводах место установки водонагревателя должно находиться как можно ближе к месту использования горячей воды.

Монтаж водонагревателя



ПРИМЕЧАНИЕ:

Пожалуйста, для установки водонагревателя используйте принадлежности, предоставленные производителем. Электрический водонагреватель нельзя крепить на стене до того, как вы убедитесь, что кронштейн установлен надёжно и прочно. В противном случае электрический водонагреватель может упасть со стены, что может привести к его повреждению и даже к серьёзным происшествиям с причинением вреда здоровью и получением травм.

1. После того как вы выбрали правильное место установки водонагревателя, определите точки для отверстий под анкерные болты с крючками. Расстояние между распорными болтами должно быть 200 мм. Просверлите в стене 2 отверстия соответствующей глубины с использованием сверла, подходящего по размеру под анкерные болты, прилагаемые к водонагревателю, вставьте болты и поворачивая крюк вверх, плотно затяните гайки, затем повесьте электрический водонагреватель на крюки (рис.3).
2. Прикрепите сетевую розетку в стене. Требования к розетке следующие: 220 В/10А, однофазная, трехпроводная. Рекомендуется разместить розетку с правой стороны выше водонагревателя.

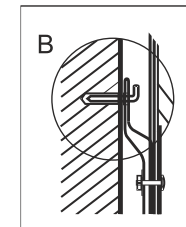


Рис. 3



ПРИМЕЧАНИЕ:

В местах или на стене, куда может попасть вода, высота установки электрической розетки должна быть не менее 1,8 м.

Подключение к водопроводной магистрали

1. Нагреватель подключается к водопроводной сети с давлением минимум 0,1 МПа, максимум 0,75 МПа



ПРИМЕЧАНИЕ:

Водонагреватель является прибором, действующим таким образом, что давление воды в водонагревателе, соответствует давлению воды в водопроводной магистрали. Если в магистрали давление превышает 0,75 МПа, то следует смонтировать перед водонагревателем редуктор давления, чтобы давление не превышало 0,75 МПа.

2. Для подключения водонагревателя к водопроводу применяются трубы диаметром G1/2.
3. Для предотвращения протечки при подсоединении труб используйте резиновые уплотнительные прокладки на резьбовых окончаниях труб.
4. На входной патрубке обозначенный голубым цветом и стрелкой направления течения воды накрутите предохранительный клапан так, чтобы течение воды совпадало с направлением стрелки на корпусе клапана.



ПРИМЕЧАНИЕ:

Между предохранительным клапаном и входным патрубком нельзя монтировать дополнительные приспособления, например, отсечной кран.

5. Нагреватель со смонтированным клапаном подключить к водопроводной сети - в месте подведения воды установить отсечной кран.
6. К выходному патрубку, обозначенному красным цветом, подсоединить желаемое количество точек потребления.
7. Проверить герметичность соединений: открыть отсечной кран и один из разборных кранов. После наполнения резервуара, о чем свидетельствует вытекание воды из разборного крана, закрыть разборный кран и проверить герметичность всех соединений.



ВНИМАНИЕ!

Если вода в месте установки содержит большое количество солей кальция, марганца или железа, то необходимо в подводящей системе смонтировать соответствующий фильтр для снижения количества накипи в резервуаре и на нагревательном элементе.

Подключение к электрической сети



ВНИМАНИЕ!

Перед подключением накопительного водонагревателя убедитесь в том, что водонагреватель заземлен надлежащим образом. Правильное заземление важно для минимизации ударов током и опасности возгорания. Шнур питания оснащён вилкой, с контактом заземления. Устройство должно использоваться с правильно заземленной сетевой розеткой. Если розетка, которую Вы планируете использовать, не заземлена соответствующим образом или защищена предохранителем с задержкой на срабатывание или прерывателем цепи, свяжитесь с квалифицированным электриком для установки правильной розетки.

1. Водонагреватель рассчитан на подключение к электрической сети с однофазным напряжением 220 В. Перед подключением убедитесь, что параметры электросети в месте подключения соответствуют параметрам, указанным на маркировочной табличке с техническими данными прибора. При установке водонагревателя следует соблюдать действующие правила электробезопасности.

2. Электрическая розетка должна быть рассчитана на номинальный ток не ниже 10А, электрический кабель с жилой сечением не менее 3х1,5 мм² (для меди). Электрические розетка и вилка должны всегда оставаться сухими во избежание утечки электрического тока. Регулярно проверяйте, что электрическая вилка плотно подключена к розетке. Проверку проводите в следующем порядке: вставьте электрическую вилку в розетку, через полчаса работы выключите водонагреватель и выньте вилку из розетки, проверьте рукой, не нагрелась ли вилка. Если вилка нагрелась до температуры выше 50°С, во избежание повреждений, происшествий, возникновения пожара в результате плохого электрического контакта замените розетку на другую. Это должен делать специалист.

**ВНИМАНИЕ!**

Для обеспечения надежной работы и безопасной эксплуатации водонагревателя перед первым включением проверьте правильность его подсоединения к электрической сети переменного тока 220 В. Подключаемый водонагреватель должен быть надежно соединен с заземляющим контуром вашей электрической сети.

7. УПРАВЛЕНИЕ ВОДОНАГРЕВАТЕЛЕМ

Панель управления (рис. 4)



Рис. 4

1. Ручка терморегулятора
2. Индикаторная лампочка «HEATING»

8. ЭКСПЛУАТАЦИЯ ВОДОНАГРЕВАТЕЛЯ

1. Сначала откройте один из выпускных кранов на выходе из водонагревателя, затем откройте впускной кран. Электрический водонагреватель начнёт заполняться водой. Когда из выпускного крана свободно вытекает вода, это означает, что водонагреватель полностью заполнился водой и выпускной кран можно закрыть. Предупреждение: Во время обычной работы впускной кран должен быть открыт.

2. Вставьте электрическую вилку в розетку, при этом должна загореться подсветка ручки терморегулятора.

**ВНИМАНИЕ!**

Электрическая розетка должна быть рассчитана на номинальный ток не ниже 10А, электрический кабель с жилой сечением не менее 3х1,5 мм² (для меди).

**ВНИМАНИЕ!**

Во время нагревания может начать капать вода из отверстия предохранительного клапана. **ИЗБЕЖАТЬ ПОДТЕКАНИЯ ВОДЫ НЕВОЗМОЖНО И НЕЛЬЗЯ ПРЕПЯТСТВОВАТЬ ЭТОМУ, ТАК КАК БЛОКИРОВКА КЛАПАНА МОЖЕТ ПРИВЕСТИ К РАЗРЫВУ БАКА (В СЛУЧАЕ АВАРИИ ОБОРУДОВАНИЯ).** Действие предохранительного клапана нужно проверять каждые 14 дней – способ проверки указан в разделе 9 (ОБСЛУЖИВАНИЕ).

3. Установите ручкой терморегулятора желаемую температуру нагрева воды, поворачивая ее по часовой или против часовой стрелке, должна загореться индикаторная лампочка «HEATING» (рис. 4). Когда вода нагреется до установленной температуры, индикаторная лампочка «HEATING» погаснет, когда температура воды понизится, подогрев включится автоматически и восстановит нужную температуру воды.
4. При установке ручки терморегулятора в положение «MIN», задается минимальная температура воды +35 °С, при установке ручки терморегулятора в положение «MAX», задается максимальная температура воды +75 °С (±5 °С).
5. На панели управления есть символ «COMFORT» - это обозначение оптимальной температуры нагрева. Установив ручку терморегулятора в позицию «COMFORT», вы выбираете наиболее эффективный режим расхода электроэнергии.
6. Для отключения водонагревателя установите ручку терморегулятора в положение «MIN» и выньте вилку сетевого шнура из розетки, при этом подсветка в ручке терморегулятора погаснет.

9. ОБСЛУЖИВАНИЕ

1. Проверяйте электрические вилку и розетку как можно чаще. Должен быть обеспечен надёжный электрический контакт, а также правильное заземление. Вилка и розетка не должны чрезмерно нагреваться.
2. Если водонагреватель не используется продолжительное время, особенно в регионах с низкой температурой воздуха (ниже 0°С), для предотвращения повреждения водонагревателя (по причине замерзания воды во внутреннем резервуаре), воду из нагревателя следует слить, для этого:
 - отключить водонагреватель от сети
 - перекрыть воду отсечным краном
 - открыть кран разбора горячей воды и выпустить оставшуюся в системе воду

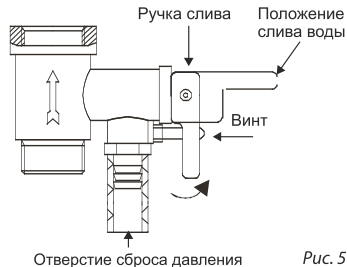


Рис. 5

Для серии SWH SE1 VO:

- открутить винт обратного предохранительного клапана и перевести ручку в горизонтальное положение, из отверстия предохранительного клапана должна потечь вода. (см. рис. 5)

Для серии SWH SE1 VU:

- отсоединить водонагреватель от водопроводной сети и точки потребления;
- перевернуть водонагреватель на 180° – из выходного патрубка должна потечь вода.
Можно не сливать воду из резервуара, а установить нагреватель на минимальную температуру нагрева, с постоянным подключением к электрическому питанию.



ВНИМАНИЕ!

Никогда не сливайте воду, если ее температура выше 50°C, так как это может привести к ожогам.

3. Чтобы обеспечить надёжную работу водонагревателя в течение длительного времени, рекомендуется периодически чистить внутренний резервуар и убирать отложения на электрических нагревательных элементах водонагревателя, а также нужно периодически проверять состояние (полностью разложен или нет) магниевых анодов, чтобы своевременно заменить его на новый, в случае его полного разложения.

Частота чистки бака зависит от жесткости воды, которая находится на данной территории. Чистку должны проводить специальные сервисные службы. Адрес ближайшего сервисного центра можно узнать у продавца или на сайте www.timberk.com.



ВНИМАНИЕ!

Производитель предоставляет увеличенную гарантию на отдельные компоненты водонагревателя при условии своевременного и правильного проведения периодического технического обслуживания прибора специалистами авторизованного сервисного центра (см. гарантийный талон).

4. Профилактические работы должны производиться при строгом соблюдении руководства по эксплуатации и техники безопасности.

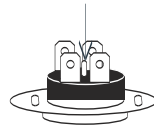


Рис. 6

5. **Водонагреватель оснащен ограничителем температуры (рис.6)**, который прекратит подачу электроэнергии к ТЭНу, при перегреве воды или ее отсутствии в водонагревателе. Если водонагреватель включен в сеть, но не происходит нагрев воды и не горит подсветка ручки терморегулятора, значит отключился или не был включен ограничитель температуры. Для возврата водонагревателя в рабочее состояние необходимо:

- **отключить питание от электронагревателя**, снять накладку лицевой панели
- нажать до щелчка кнопку, расположенную по центру ограничителя температуры, который находится на нагревательном элементе
- если кнопка не нажимается и нет щелчка, то подождать, пока ограничитель температуры остынет до исходной температуры



ВНИМАНИЕ!

Если данные действия не дали положительного результата или отключение ограничителя температуры происходит неоднократно, в течение короткого промежутка времени, то следует отключить питание водонагревателя, перекрыть подачу воды в водонагреватель и обратиться в Авторизованный Сервисный Центр Timberk в Вашем регионе для получения консультации или ремонта изделия.

6. Помните о контрольных проверках исправности действия предохранительного клапана каждые 14 дней - способ проверки:

-перевести ручку слива в верхнее положение до ощущения перехода резьбы и тогда из отверстия клапана должна потечь вода. После проверки вытекания воды верните ручку в предыдущее положение.

ВНИМАНИЕ!

Если вода не потечет, то клапан испорчен. В этом случае нельзя пользоваться нагревателем и рекомендуется вызвать сервисного мастера.

7. Наружные поверхности нагревателя по мере необходимости протирать влажной тряпочкой с мылом.

10. УСТРАНЕНИЕ НЕИСПРАВНОСТЕЙ

Все неполадки в работе нагревателя и консервацию надо проводить в соответствующих сервисных центрах. Нагреватель могут ремонтировать и консервировать только специально обученные этому квалифицированные специалисты, поскольку неправильно выполненный ремонт может стать причиной возникновения опасности во время работы нагревателя.

Адрес ближайшего сервисного центра можно получить у продавца или на сайте www.timberk.com.

Таблица 2 Возможные неисправности и методы их устранения

ПРОБЛЕМА	ВОЗМОЖНЫЕ ПРИЧИНЫ	СПОСОБ УСТРАНЕНИЯ
Индикаторные лампочки не горят, вода не греется	1. Повреждение устройства регулирования температуры.	1. Обратиться к специалисту по ремонту, в сервисный центр Timberk
	2. Сработало или не было включено устройство ограничения температуры.	2. Включите ограничитель температуры, следуя инструкции по его включению (стр. 16)
	3. Повреждение устройства ограничения температуры.	3. Обратиться к специалисту по ремонту, в сервисный центр Timberk
Из крана выхода горячей воды не течёт вода	1. Отключена подача воды.	1. Подождать восстановления подачи воды.
	2. Слишком низкое давление воды.	2. Включить водонагреватель снова, когда восстановится нормальное давление воды.
	3. Закрыт кран подачи холодной воды	3. Открыть кран подачи холодной воды
Температура воды слишком высокая	Повреждение системы контроля температуры воды.	Обратиться к специалисту по ремонту, в сервисный центр Timberk
Протечка воды	Нарушено уплотнение в месте подключения труб.	Заменить уплотнение соединения.
Вода течет из корпуса прибора	1 Разрушение внутреннего бака (коррозия)	Обратиться к специалисту по ремонту, в сервисный центр Timberk
	2 Нарушено уплотнение в месте присоединения нагревательного элемента	
Индикаторная лампочка нагрева горит, но вода не греется	1. Повреждение устройства регулирования температуры.	1. Обратиться к специалисту по ремонту, в сервисный центр Timberk
	2. Недостаточно времени для нагрева.	2. Подождать, пока вода нагреется.
	3. Повреждение нагревательного элемента.	3. Обратиться к специалисту по ремонту, в сервисный центр Timberk

11. ЭЛЕКТРИЧЕСКАЯ ПРИНЦИПИАЛЬНАЯ СХЕМА

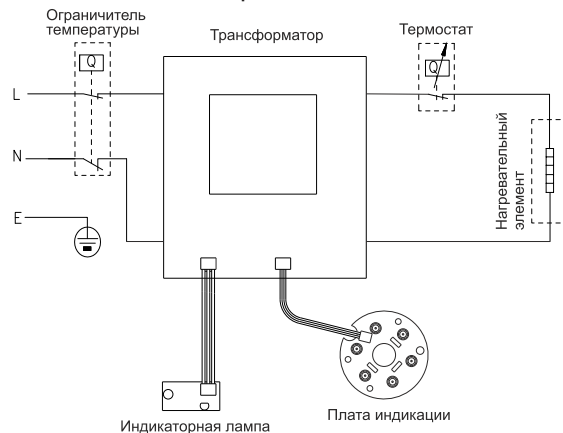


Рис. 7

12. УТИЛИЗАЦИЯ

По окончании срока службы водонагреватель следует утилизировать. Подробную информацию по утилизации водонагревателя Вы можете получить у представителя местного органа власти. Срок службы водонагревателя составляет 15 лет.

ВНИМАНИЕ!

Производитель имеет право вносить в устройство прибора любые изменения, улучшающие его технические и иные характеристики. Данные изменения могут быть внесены без предупреждения и предварительного уведомления потребителя. Производитель не несет ответственности за изменение электросхемы изделия, которое может быть выполнено без уведомления потребителя.

Накопительный водонагреватель не предназначен для бесконтрольного использования детьми, пожилыми или недееспособными людьми. Эксплуатируйте водонагреватель бережно, не переключайте резко режимы, строго следуйте рекомендациям, изложенным в данной инструкции по эксплуатации. Дети, находящиеся вблизи водонагревателя, должны быть под наблюдением взрослых, и ни в коем случае не использовать прибор, как элемент игры.

13. ИНФОРМАЦИЯ О СЕРТИФИКАЦИИ

Изделие соответствует директиве ЕЕС 89/336, касающейся электромагнитного оборудования

Гарантируется безотказная работа изделия в соответствии со сроками, указанными в гарантийном талоне. Обязательно ознакомьтесь с условиями гарантии и требуйте от продавца правильного и четкого заполнения гарантийного талона.

Гарантийный талон вложен в упаковку изделия

Timberk снимает с себя любую ответственность за возможный вред, прямо или косвенно нанесенный продукцией Timberk людям, домашним животным, имуществу в случае, если это произошло в результате несоблюдения правил и условий эксплуатации, установки изделия, умышленных или неосторожных действий потребителя или третьих лиц.

Товар сертифицирован на территории России органом по сертификации: рег. № РОСС RU.0001.11AB71

ПРОДУКЦИИ ООО «ОПТИМАТЕСТ».

Фактический адрес: 123308, г. Москва, ул. Мневники, д. 3, корп. 1, оф. 323; Юридический адрес: 115162, г. Москва, Павла Андреева ул., дом №28, корпус 4, тел. +7 495 6044266, факс +7 495 6044266

Орган по сертификации может обновляться ежегодно. При отсутствии копии нового сертификата в коробке, спрашивайте копию у продавца

Товар соответствует требованиям нормативных документов:

ГОСТ Р МЭК 60335-2-35-2000

ГОСТ Р 51318.14.1-2006 р.4

ГОСТ Р 51318.14.2-2006 р.5,7

ГОСТ Р 51317.3.3-2008

ГОСТ Р 51317.3.2-2006 р.6,7

№ сертификата: RU C-IL.AB71.B.00051

Сертификат обновляется ежегодно. При отсутствии копии нового сертификата в коробке, спрашивайте копию у продавца

Срок действия: с 09.02.2012 до 08.02.2015

Изготовитель:

«Тимберк Хоум Хиатинг Эпплаенсис Компани» Хамасгер стрит, 10, Эйлат, Израиль 88000

Телефон/факс +972-8-637-88-311

Импортер*:

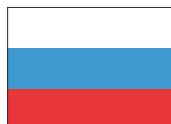
ООО «Гольфстрим» Адрес: г.Москва, ул. Кожевническая, дом 1, стр.1, офис 606

Телефон/факс (499) 638-26-77

По вопросам сервисной поддержки и качества приобретенного товара просьба обращаться по телефону:

+ 7 (495) 6275285

** Данные могут быть изменены в связи со сменой производителя, продавца, производственного филиала или импортера в РФ и/или страны ЕТС. Актуальную информацию Вы можете получить из содержания действующего на момент продажи сертификата соответствия, а также из данных этикетки, которой маркируется упаковка изделия до даты последующей продажи дистрибьютором на территории РФ или стран ЕТС.*



RU

Руководство по эксплуатации техники Timberk написано на английском языке и переведено на русский язык.

В целях информирования покупателей техники Timberk, мы дополнительно сообщаем, что русский является государственным языком в следующих государствах:

1. в Российской Федерации
2. в Республике Беларусь наряду с белорусским языком
3. в частично признанной Южной Осетии наряду с осетинским языком

Русский язык является официальным языком (во всех случаях другой язык или другие языки выступают как государственный или второй официальный) в следующих государствах и на территориях:

1. в Республике Казахстан
2. в Киргизской Республике
3. в административных единицах Украины, где доля носителей русского языка составляет более 10%, при соответствующем решении местных советов
4. в Автономной Республике Крым

В Республике Таджикистан русский язык признан по Конституции языком межнационального общения.



BY



OS



TJ



KG



KZ



UA



AK



CIS

Официальным языком международной организации Содружество Независимых Государств (СНГ) является русский язык.

timberk

www.timberk.com



A871