

OIC 22102

Built-in Oven

User Manual

Встраиваемый духовой шкаф

Руководство

пользователя

Please read this user manual first!

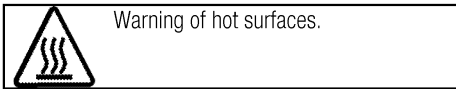
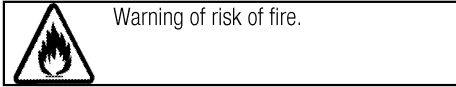
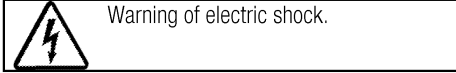
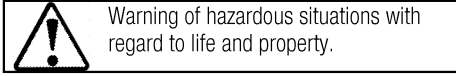
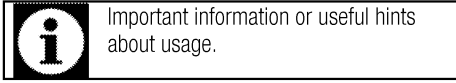
Dear Customer,

Thank you for purchasing this Beko product. We hope that you get the best results from your product which has been manufactured with high quality and state-of-the-art technology. Therefore, please read this entire user manual and all other accompanying documents carefully before using the product and keep it as a reference for future use. If you handover the product to someone else, give the user manual as well. Follow all warnings and information in the user manual.

Remember that this user manual is also applicable for several other models. Differences between models will be identified in the manual.

Explanation of symbols

Throughout this user manual the following symbols are used:



Arçelik A.Ş.

Karaağaç caddesi No:2-6
34445 Söğütözü/İstanbul/TURKEY

Made in TURKEY

CE

TABLE OF CONTENTS

1 Important instructions and warnings for safety and environment 4

General safety.....	4
Electrical safety.....	4
Product safety.....	5
Intended use.....	6
Safety for children.....	6
Disposing of the old product.....	7
Package information.....	7

2 General information 8

Overview.....	8
Package contents.....	9
Technical specifications.....	9

3 Installation 10

Before installation.....	10
Installation and connection.....	13
Future Transportation.....	14

4 Preparation 15

Tips for saving energy.....	15
Initial use.....	15

First cleaning of the appliance.....	15
Initial heating.....	15

5 How to operate the oven 16

General information on baking, roasting and grilling.....	16
How to operate the electric oven.....	16
Operating modes.....	17
Using the oven clock.....	17
Cooking times table.....	18
How to operate the grill.....	19
Cooking times table for grilling.....	19

6 Maintenance and care 20

General information.....	20
Cleaning the control panel.....	20
Cleaning the oven.....	20
Removing the oven door.....	20
Removing the door inner glass.....	21
Replacing the oven lamp.....	22

7 Troubleshooting 23

1 Important instructions and warnings for safety and environment

This section contains safety instructions that will help protect from risk of personal injury or property damage. Failure to follow these instructions shall void any warranty.

General safety

- This appliance can be used by children aged from 8 years and above and persons with reduced physical, sensory or mental capabilities or lack of experience and knowledge if they have been given supervision or instruction concerning use of the appliance in a safe way and understand the hazards involved.

Children shall not play with the appliance. Cleaning and user maintenance shall not be made by children without supervision.

- Installation and repair procedures must always be performed by Authorized Service Agents. The manufacturer shall not be held responsible for damages arising from procedures carried out by unauthorized persons which may also void the warranty. Before installation, read the instructions carefully.
- Do not operate the product if it is defective or has any visible damage.

- Control that the product function knobs are switched off after every use.

Electrical safety

- If the product has a failure, it should not be operated unless it is repaired by the Authorized Service Agent. There is the risk of electric shock!
- Only connect the product to a grounded outlet/line with the voltage and protection as specified in the "Technical specifications". Have the grounding installation made by a qualified electrician while using the product with or without a transformer. Our company shall not be liable for any problems arising due to the product not being earthed in accordance with the local regulations.
- Never wash the product by spreading or pouring water onto it! There is the risk of electric shock!
- The product must be unplugged during installation, maintenance, cleaning and repairing procedures.
- If the power connection cable for the product is damaged, it must be replaced by the manufacturer, its service agent or similiary

qualified persons in order to avoid a hazard.

- The appliance must be installed so that it can be completely disconnected from the network. The separation must be provided either by a mains plug, or a switch built into the fixed electrical installation, according to construction regulations.
- Rear surface of the oven gets hot when it is in use. Make sure that the electrical connection does not contact the rear surface; otherwise, connections can get damaged.
- Do not trap the mains cable between the oven door and frame and do not route it over hot surfaces. Otherwise, cable insulation may melt and cause fire as a result of short circuit.
- Any work on electrical equipment and systems should only be carried out by authorized and qualified persons.
- In case of any damage, switch off the product and disconnect it from the mains. To do this, turn off the fuse at home.
- Make sure that fuse rating is compatible with the product.

Product safety

- The appliance and its accessible parts become hot during use. Care should be taken to avoid

touching heating elements.

Children less than 8 years of age shall be kept away unless continuously supervised.

- Never use the product when your judgment or coordination is impaired by the use of alcohol and/or drugs.
- Be careful when using alcoholic drinks in your dishes. Alcohol evaporates at high temperatures and may cause fire since it can ignite when it comes into contact with hot surfaces.
- Do not place any flammable materials close to the product as the sides may become hot during use.
- During use the appliance becomes hot. Care should be taken to avoid touching heating elements inside the oven.
- Keep all ventilation slots clear of obstructions.
- Do not heat closed tins and glass jars in the oven. The pressure that would build-up in the tin/jar may cause it to burst.
- Do not place baking trays, dishes or aluminium foil directly onto the bottom of the oven. The heat accumulation might damage the bottom of the oven.
- Do not use harsh abrasive cleaners or sharp metal scrapers to clean the oven door glass since

they can scratch the surface, which may result in shattering of the glass.

- Do not use steam cleaners to clean the appliance as this may cause an electric shock.
- Use the shelves as described in "How to operate the electric oven".
- Do not use the product if the front door glass removed or cracked.
- Oven handle is not towel dryer. Do not hang up towel, gloves, or similar textile products when the grill function is at open door.
- Always use heat resistant oven gloves when putting in or removing dishes into/from the hot oven.
- Ensure that the appliance is switched off before replacing the lamp to avoid the possibility of electric shock.

For the reliability of the fire of the product;

- Make sure the plug is fitting to socket as well for not cause to spark.
- Do not use damaged or cutted or extension cable except the original cable.
- Make sure that not whether liquid or moisture on the socket is plugged to product .

Intended use

- This product is designed for domestic use. Commercial use will void the guarantee.
- This appliance is for cooking purposes only. It must not be used for other purposes, for example room heating.
- This product should not be used for warming the plates under the grill, drying towels, dish cloths etc. by hanging them on the oven door handles. This product should also not be used for room heating purposes.
- The manufacturer shall not be liable for any damage caused by improper use or handling errors.
- The oven can be used for defrosting, baking, roasting and grilling food.

Safety for children

- Accessible parts may become hot during use. Young children should be kept away.
- The packaging materials will be dangerous for children. Keep the packaging materials away from children. Please dispose of all parts of the packaging according to environmental standards.
- Electrical products are dangerous to children. Keep children away from the product when it is operating and do not allow them to play with the product.

- Do not place any items above the appliance that children may reach for.
- When the door is open, do **not** load any heavy object on it and do **not** allow children to sit on it. It may overturn or door hinges may get damaged.

Disposing of the old product



Dispose of the old product in an environmentally friendly manner. This equipment bears the selective sorting symbol for waste electrical and electronic equipment (WEEE). This means that this equipment must be handled pursuant to European Directive 2002/96/EC in order to be recycled or dismantled to minimize its impact on the environment. For further information, please contact local or regional authorities. Refer to your local dealer or solid waste collection centre in your area to learn how to dispose of your product.

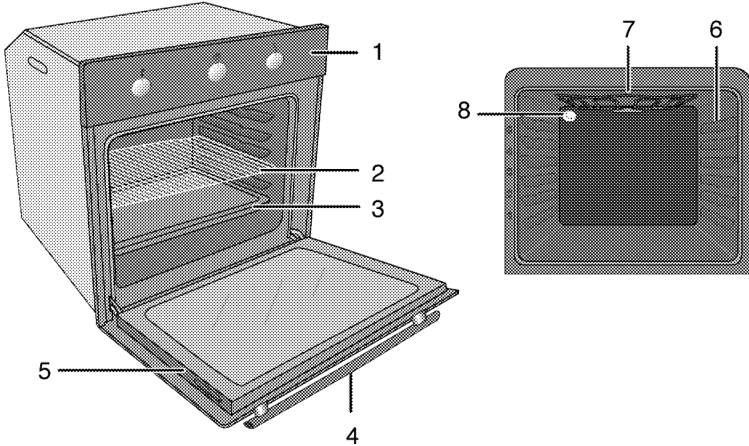
Before disposing of the product, cut off the power cable plug and make the door lock (if any) unusable to avoid dangerous conditions to children.

Package information

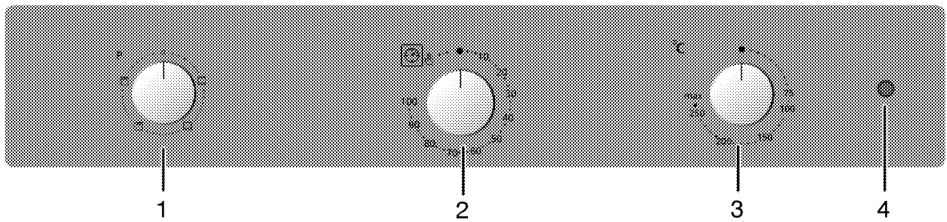
- Packaging materials of the product are manufactured from recyclable materials in accordance with our National Environment Regulations. Do not dispose of the packaging materials together with the domestic or other wastes. Take them to the packaging material collection points designated by the local authorities.

2 General information

Overview



- | | | | |
|---|---------------|---|---------------------|
| 1 | Control panel | 5 | Door |
| 2 | Wire shelf | 6 | Shelf positions |
| 3 | Tray | 7 | Top heating element |
| 4 | Handle | 8 | Lamp |



- | | |
|---|------------------|
| 1 | Function knob |
| 2 | Mechanical timer |
| 3 | Thermostat knob |
| 4 | Thermostat lamp |

Package contents

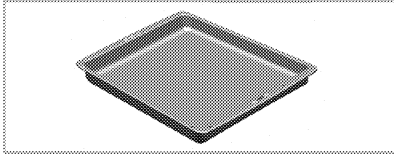


Accessories supplied can vary depending on the product model. Not every accessory described in the user manual may exist on your product.

1. User manual

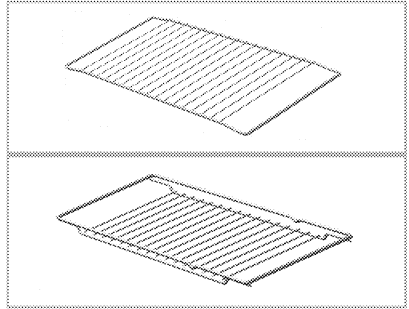
2. Oven tray

Used for pastries, frozen foods and big roasts.



3. Wire Shelf

Used for roasting and for placing the food to be baked, roasted or cooked in casserole dishes to the desired rack.



Technical specifications

Voltage / frequency	220-240 V ~ 50 Hz
Total power consumption	2.4 kW
Fuse	min. 16 A
Cable type / section	H05VV-FG 3 x 1,5 mm ²
Cable length	max. 2 m
External dimensions (height / width / depth)	595 mm/594 mm/567 mm
Installation dimensions (height / width / depth)	**590 or 600 mm/560 mm/min. 550 mm
Main oven	Conventional oven
Energy efficiency class [#]	A
Inner lamp	15/25 W
Grill power consumption	2.2 kW

[#] Basics: Information on the energy label of electrical ovens is given in accordance with the EN 50304 standard. Those values are determined under standard load with bottom-top heater or fan assisted heating (if any) functions.

** See. *Installation*, page 10.



Technical specifications may be changed without prior notice to improve the quality of the product.



Figures in this manual are schematic and may not exactly match your product.



Values stated on the product labels or in the documentation accompanying it are obtained in laboratory conditions in accordance with relevant standards. Depending on operational and environmental conditions of the product, these values may vary.

3 Installation

Product must be installed by a qualified person in accordance with the regulations in force. The manufacturer shall not be held responsible for damages arising from procedures carried out by unauthorized persons which may also void the warranty.



Preparation of location and electrical installation for the product is under customer's responsibility.



DANGER:

The product must be installed in accordance with all local electrical regulations.



DANGER:

Prior to installation, visually check if the product has any defects on it. If so, do not have it installed.
Damaged products cause risks for your safety.

- If there is a drawer beneath the oven, a shelf must be installed between oven and drawer.
- Carry the appliance with at least two persons.



Do not install the appliance next to refrigerators or freezers. The heat emitted by the appliance will lead to an increased energy consumption of cooling appliances.



The door and/or handle must not be used for lifting or moving the appliance.

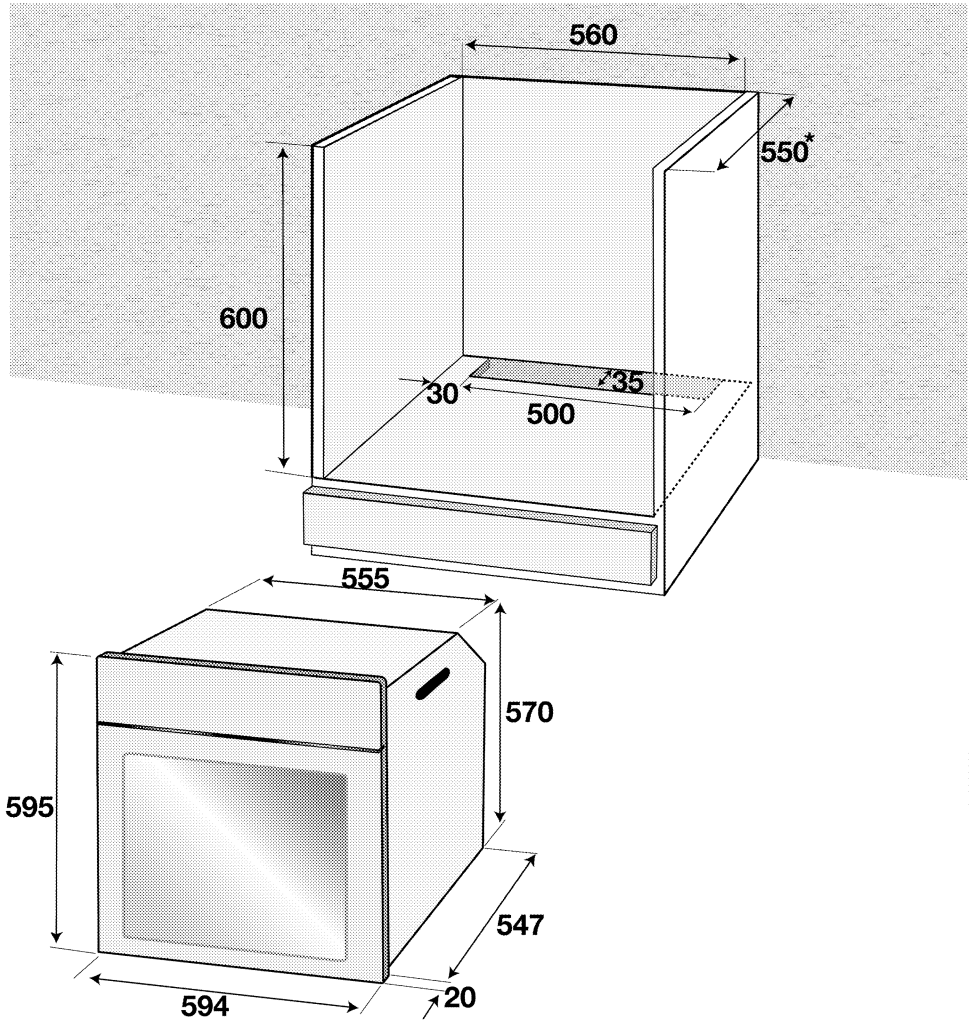


If the appliance has wire handles, push the handles back into the side walls after moving the appliance.

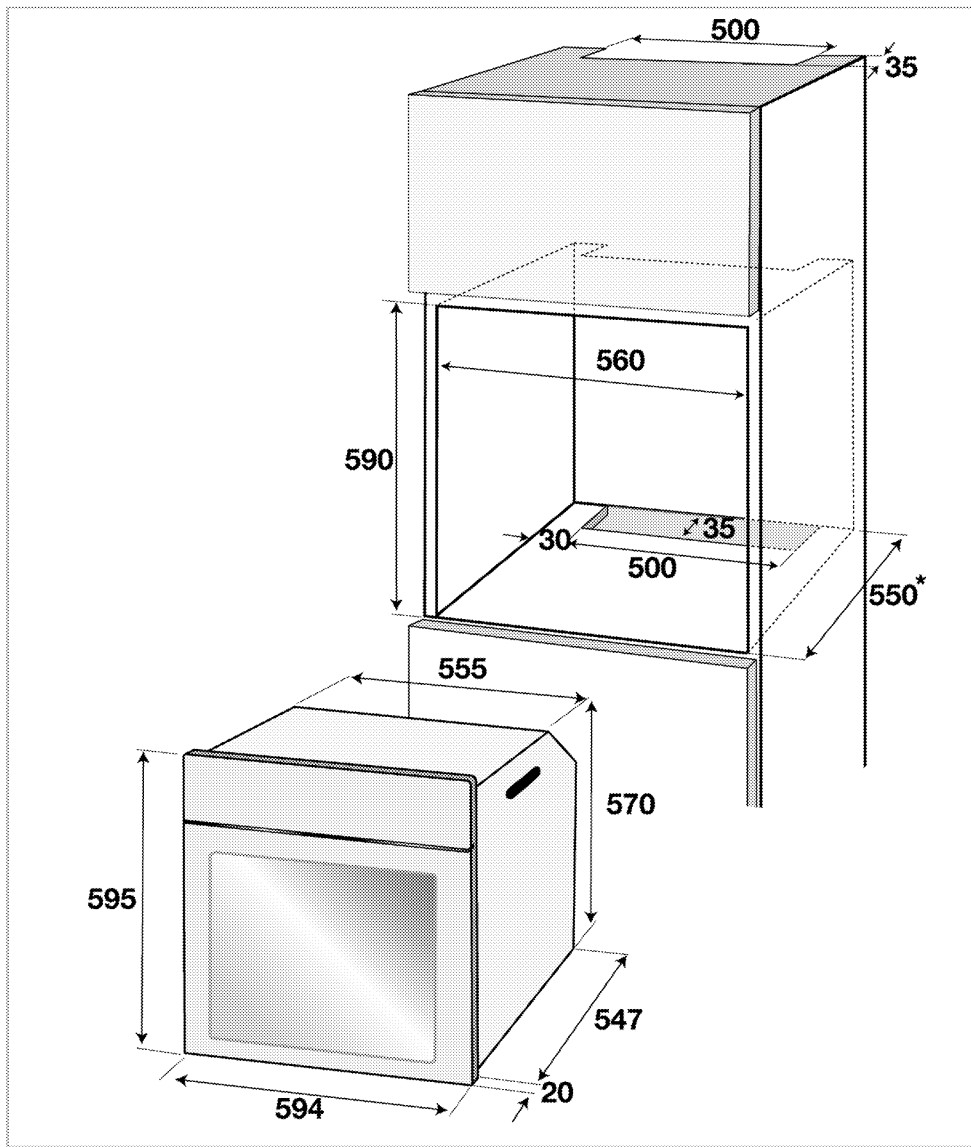
Before installation

The appliance is intended for installation in commercially available kitchen cabinets. A safety distance must be left between the appliance and the kitchen walls and furniture. See figure (values in mm).

- Surfaces, synthetic laminates and adhesives used must be heat resistant (100 °C minimum).
- Kitchen cabinets must be set level and fixed.



* min.




* min.


Installation and connection

- Product can only be installed and connected in accordance with the statutory installation rules.


Electrical connection

Connect the product to a grounded outlet/line protected by a fuse of suitable capacity as stated in the "Technical specifications" table. Have the grounding installation made by a qualified electrician while using the product with or without a transformer. Our company shall not be liable for any damages that will arise due to using the product without a grounding installation in accordance with the local regulations.

 **DANGER:**
The product must be connected to the mains supply only by an authorised and qualified person. The product's warranty period starts only after correct installation.
Manufacturer shall not be held responsible for damages arising from procedures carried out by unauthorised persons.

 **DANGER:**
The power cable must not be clamped, bent or trapped or come into contact with hot parts of the product.
A damaged power cable must be replaced by a qualified electrician. Otherwise, there is risk of electric shock, short circuit or fire!

- Connection must comply with national regulations.
- The mains supply data must correspond to the data specified on the type label of the product. Open the front door to see the type label.
- Power cable of your product must comply with the values in "Technical specifications" table.

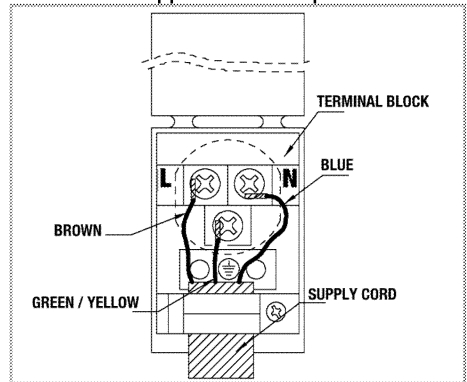
 **DANGER:**
Before starting any work on the electrical installation, disconnect the product from the mains supply.
There is the risk of electric shock!

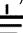
Connecting the power cable

1. If it is not possible to disconnect all poles in the supply power, a disconnection unit with at least 3 mm contact clearance (fuses, line safety switches, contactors) must be connected and all the poles of this disconnection unit must be adjacent to (not above) the product in accordance with IEE directives. Failure to obey this instruction may cause operational problems and invalidate the product warranty.

Additional protection by a residual current circuit breaker is recommended.

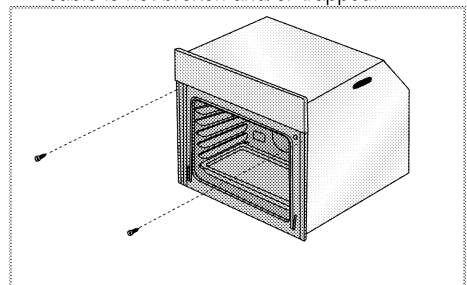
If a cable is supplied with the product:



2. **For single-phase connection**, connect the wires as identified below:
 - Brown/Black cable = L (Phase)
 - Blue/Grey cable = N (Neutral)
 - Green/yellow cable = (E)  (Ground)

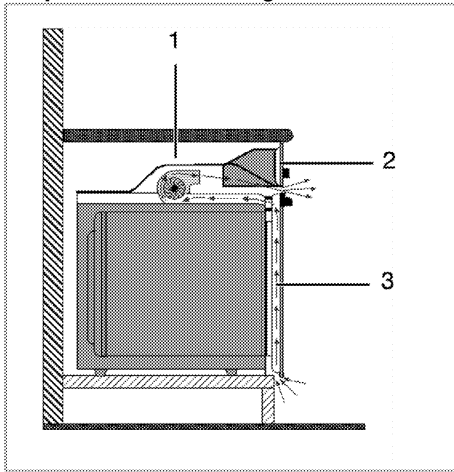
Installing the product

1. Slide the oven into the cabinet, align and secure it while making sure that the power cable is not broken and/or trapped.



Secure the oven with 2 screws as illustrated.

For products with cooling fan



- 1 Cooling fan
- 2 Control panel
- 3 Door

The built-in cooling fan cools both the built-in cabinet and the front of the product.

i Cooling fan continues to operate for about 20-30 minutes after the oven is switched off.

Final check

1. Plug in the power cable and switch on the product's fuse.
2. Check the functions.

Future Transportation

- Keep the product's original carton and transport the product in it. Follow the instructions on the carton. If you do not have the original carton, pack the product in bubble wrap or thick cardboard and tape it securely.
- To prevent the wire grill and tray inside the oven from damaging the oven door, place a strip of cardboard onto the inside of the oven door that lines up with the position of the trays. Tape the oven door to the side walls.
- Do not use the door or handle to lift or move the product.

i Do not place any objects onto the product and move it in upright position.

i Check the general appearance of your product for any damages that might have occurred during transportation.

4 Preparation

Tips for saving energy

The following information will help you to use your appliance in an ecological way, and to save energy:

- Use dark coloured or enamel coated cookware in the oven since the heat transmission will be better.
- While cooking your dishes, perform a preheating operation if it is advised in the user manual or cooking instructions.
- Do not open the door of the oven frequently during cooking.
- Try to cook more than one dish in the oven at the same time whenever possible. You can cook by placing two cooking vessels onto the wire shelf.
- Cook more than one dish one after another. The oven will already be hot.
- You can save energy by switching off your oven a few minutes before the end of the cooking time. Do not open the oven door.
- Defrost frozen dishes before cooking them.

Initial use

First cleaning of the appliance



The surface might get damaged by some detergents or cleaning materials.

Do not use aggressive detergents, cleaning powders/creams or any sharp objects during cleaning.

Do not use harsh abrasive cleaners or sharp metal scrapers to clean the oven door glass since they can scratch the surface, which may result in shattering of the glass.

1. Remove all packaging materials.
2. Wipe the surfaces of the appliance with a damp cloth or sponge and dry with a cloth.

Initial heating

Heat up the product for about 30 minutes and then switch it off. Thus, any production residues or layers will be burnt off and removed.



WARNING

Hot surfaces cause burns!

Product may be hot when it is in use. Never touch the hot burners, inner sections of the oven, heaters and etc. Keep children away. Always use heat resistant oven gloves when putting in or removing dishes into/from the hot oven.

Electric oven

1. Take all baking trays and the wire grill out of the oven.
2. Close the oven door.
3. Select Static position.
4. Select the highest oven power; See *How to operate the electric oven, page 16*.
5. Operate the oven for about 30 minutes.
6. Turn off your oven; See *How to operate the electric oven, page 16*

Grill oven

1. Take all baking trays and the wire grill out of the oven.
2. Close the oven door.
3. Select the highest grill power; see *How to operate the grill, page 19*.
4. Operate the grill about 30 minutes.
5. Turn off your grill; see *How to operate the grill, page 19*



Smoke and smell may emit for a couple of hours during the initial operation. This is quite normal. Ensure that the room is well ventilated to remove the smoke and smell. Avoid directly inhaling the smoke and the smell that emits.

5 How to operate the oven

General information on baking, roasting and grilling



WARNING

Hot surfaces cause burns!

Product may be hot when it is in use. Never touch the hot burners, inner sections of the oven, heaters and etc. Keep children away. Always use heat resistant oven gloves when putting in or removing dishes into/from the hot oven.



DANGER:

Be careful when opening the oven door as steam may escape.

Exiting steam can scald your hands, face and/or eyes.

Tips for baking

- Use non-sticky coated appropriate metal plates or aluminum vessels or heat-resistant silicone moulds.
- Make best use of the space on the rack.
- Place the baking mould in the middle of the shelf.
- Select the correct rack position before turning the oven or grill on. Do not change the rack position when the oven is hot.
- Keep the oven door closed.

Tips for roasting

- Treating whole chicken, turkey and large piece of meat with dressings such as lemon juice and black pepper before cooking will increase the cooking performance.
- It takes about 15 to 30 minutes longer to roast meat with bones when compared to roasting the same size of meat without bones.
- Each centimeter of meat thickness requires approximately 4 to 5 minutes of cooking time.
- Let meat rest in the oven for about 10 minutes after the cooking time is over. The juice is better distributed all over the

roast and does not run out when the meat is cut.

- Fish should be placed on the middle or lower rack in a heat-resistant plate.

Tips for grilling

When meat, fish and poultry are grilled, they quickly get brown, have a nice crust and do not get dry. Flat pieces, meat skewers and sausages are particularly suited for grilling as are vegetables with high water content such as tomatoes and onions.

- Distribute the pieces to be grilled on the wire shelf or in the baking tray with wire shelf in such a way that the space covered does not exceed the size of the heater.
- Slide the wire shelf or baking tray with grill into the desired level in the oven. If you are grilling on the wire shelf, slide the baking tray to the lower rack to collect fats. Add some water in the tray for easy cleaning.

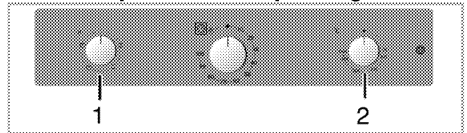


Foods that are not suitable for grilling carry the risk of fire. Only grill food which is suitable for intensive grilling heat.

Do not place the food too far in the back of the grill. This is the hottest area and fatty food may catch fire.

How to operate the electric oven

Select temperature and operating mode



1 Function knob

2 Thermostat knob

1. Set the oven timer to the desired cooking time; see *Using the oven clock, page 17*.
2. Set the Temperature knob to the desired temperature.
3. Set the Function knob to the desired operating mode.

» Oven heats up to the adjusted temperature and maintains it. During heating, temperature lamp stays on.

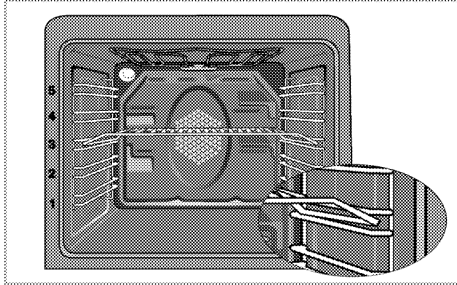
Switching off the electric oven

Switch the oven timer to off position.



When the timer is set to a certain time, it will turn off automatically; see *Using the oven clock*, page 17

Turn the function knob and temperature knob to off (upper) position.



Rack positions (For models with wire shelf)

It is important to place the wire shelf onto the side rack correctly. Wire shelf must be inserted between the side racks as illustrated in the figure. Do not let the wire shelf stand against the rear wall of the oven. Slide your wire shelf to the front section of the rack and settle it with the help of the door in order to obtain a good grill performance.

Operating modes

The order of operating modes shown here may be different from the arrangement on your product.

Top and bottom heating



Top and bottom heating are in operation. Food is heated simultaneously from the top and bottom. For example, it is suitable for cakes, pastries, or cakes and casseroles in baking moulds. Cook with one tray only.

Bottom heating



Only bottom heating is in operation. It is suitable for pizza and for subsequent browning of food from the bottom.

Grill



Small grill at the ceiling of the oven is in operation. Suitable for grilling.

- Put small or medium-sized portions in correct shelf position under the grill heater for grilling.
- Set the temperature to maximum level.
- Turn the food after half of the grilling time.

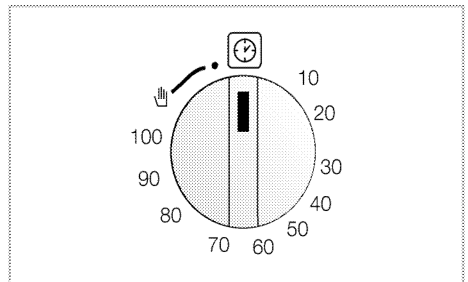
Full grill



Large grill at the ceiling of the oven is in operation. It is suitable for grilling large amount of meat.

- Put big or medium-sized portions in correct rack position under the grill heater for grilling.
- Set the temperature to maximum level.
- Turn the food after half of the grilling time.

Using the oven clock



Starting the cooking



In order to operate the oven, you must select cooking mode and the desired temperature and set the time. Otherwise, the oven will not operate.

1. Turn the Time Adjustment knob clockwise to set the cooking time.
2. Put your dish into the oven.
3. Select operation mode and temperature; see. *How to operate the electric oven, page 16.*
» The oven will be heated up to the preset temperature and will maintain this temperature until the end of the cooking time you selected.
4. Once the cooking time is over, Time Setting knob will automatically rotate counterclockwise. A warning sound indicating that the set time is over is heard and the power is cut.



If you do not want to use the timer function, turn the knob counterclockwise towards the hand symbol.

5. Turn off the oven with the Time Setting knob, function knob and temperature knob.

Turning off the oven before the set time

1. Turn the Time Adjustment knob counterclockwise until it stops.
2. Turn off the oven with the Function knob and Temperature knob.

Cooking times table



The timings in this chart are meant as a guide. Timings may vary due to temperature of food, thickness, type and your own preference of cooking.

Baking and roasting



1st rack of the oven is the **bottom** rack.

Dish	Cooking level number		Rack position	Temperature (°C)	Cooking time (approx. in min.)
**Cakes in tray	One level	<input type="checkbox"/>	3	175	25 ... 30
**Cakes in mould	One level	<input type="checkbox"/>	2	175	40 ... 50
**Cakes in cooking paper	One level	<input type="checkbox"/>	3	175	25 ... 30
**Sponge cake	One level	<input type="checkbox"/>	3	200	5 ... 10
**Cookie	One level	<input type="checkbox"/>	3	175	25 ... 30
**Dough pastry	One level	<input type="checkbox"/>	2	200	30 ... 40
**Rich pastry	One level	<input type="checkbox"/>	2	200	25 ... 35
**Leaven	One level	<input type="checkbox"/>	2	200	35 ... 45
**Lasagna	One level	<input type="checkbox"/>	2 - 3	200	30 ... 40
**Pizza	One level	<input type="checkbox"/>	2	200 ... 220	15 ... 20
Beef steak (whole) / Roast	One level	<input type="checkbox"/>	2	25 min. 250/max. then 180 ... 190	100 ... 120
Leg of Lamb (casserole)	One level	<input type="checkbox"/>	2	25 min. 220 then 190	70 ... 90
Roasted chicken	One level	<input type="checkbox"/>	2	15 min. 250/max. then 190	55 ... 65
Turkey (5.5 kg)	One level	<input type="checkbox"/>	1	25 min. 250/max. then 190	150 ... 210
Fish	One level	<input type="checkbox"/>	3	200	20 ... 30

(**) In a cooking that requires preheating, preheat at the beginning of cooking until the thermostat lamp turns off.

Tips for baking cake

- If the cake is too dry, increase the temperature by 10°C and decrease the cooking time.
- If the cake is wet, use less liquid or lower the temperature by 10°C.


- If the cake is too dark on top, place it on a lower rack, lower the temperature and increase the cooking time.
- If cooked well on the inside but sticky on the outside use less liquid, lower the temperature and increase the cooking time.

Tips for baking pastry

- If the pastry is too dry, increase the temperature by 10°C and decrease the

cooking time. Dampen the layers of dough with a sauce composed of milk, oil, egg and yoghurt.

- If the pastry takes too long to bake, pay care that the thickness of the pastry you have prepared does not exceed the depth of the tray.
- If the upper side of the pastry gets browned, but the lower part is not cooked, make sure that the amount of sauce you have used for the pastry is not too much at the bottom of the tray. Try to scatter the sauce equally between the dough layers and on the top of the pastry for an even browning.

 Cook the pastry in accordance with the mode and temperature given in the cooking table. If the bottom part is still not browned enough, place it on one lower rack next time.

Tips for cooking vegetables

- If the vegetable dish runs out of juice and gets too dry, cook it in a pan with a lid instead of a tray. Closed vessels will preserve the juice of the dish.
- If a vegetable dish does not get cooked, boil the vegetables beforehand or prepare them like canned food and put in the oven.

How to operate the grill

 **WARNING**
Close oven door during grilling.
Hot surfaces may cause burns!

- Turn the Time Adjustment knob counter clockwise to Hand symbol when grilling.

Switching on the grill

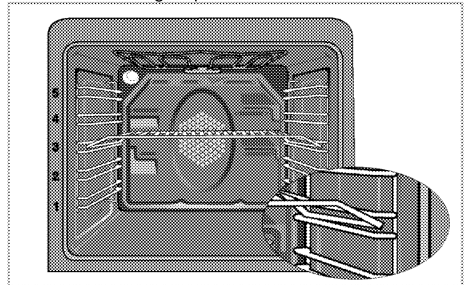
1. Turn the Function knob to the desired grill symbol.
 2. Then, select the desired grilling temperature.
 3. If required, perform a preheating of about 5 minutes.
- » Temperature light turns on.

Switching off the grill

1. Turn the Function knob to Off (top) position.

Rack positions

Grill performance will decrease if the wire grill stands against rear part of the oven. Slide your wire grill to the front section of the rack and settle it with the help of the door in order to obtain the best grill performance.



Foods that are not suitable for grilling carry the risk of fire. Only grill food which is suitable for intensive grilling heat.
Do not place the food too far in the back of the grill. This is the hottest area and fatty food may catch fire.

Cooking times table for grilling

Grilling with electric grill

Food	Insertion level	Grilling time (approx.)
Fish	4..5	20...25 min. #
Sliced chicken	4..5	25...35 min.
Lamb chops	4..5	20...25 min.
Roast beef	4..5	25...30 min. #
Veal chops	4..5	25...30 min. #
Toast bread	4	1...2 min.

depending on thickness

6 Maintenance and care

General information

Service life of the product will extend and the possibility of problems will decrease if the product is cleaned at regular intervals.



DANGER:

Disconnect the product from mains supply before starting maintenance and cleaning works.
There is the risk of electric shock!



DANGER:

Allow the product to cool down before you clean it.
Hot surfaces may cause burns!

- Clean the product thoroughly after each use. In this way it will be possible to remove cooking residues more easily, thus avoiding these from burning the next time the appliance is used.
- No special cleaning agents are required for cleaning the product. Use warm water with washing liquid, a soft cloth or sponge to clean the product and wipe it with a dry cloth.
- Always ensure any excess liquid is thoroughly wiped off after cleaning and any spillage is immediately wiped dry.
- Do not use cleaning agents that contain acid or chloride to clean the stainless or inox surfaces and the handle. Use a soft cloth with a liquid detergent (not abrasive) to wipe those parts clean, paying attention to sweep in one direction.



The surface might get damaged by some detergents or cleaning materials.
Do not use aggressive detergents, cleaning powders/creams or any sharp objects during cleaning.
Do not use harsh abrasive cleaners or sharp metal scrapers to clean the oven door glass since they can scratch the surface, which may result in shattering of the glass.



Do not use steam cleaners to clean the appliance as this may cause an electric shock.

Cleaning the control panel

Clean the control panel and knobs with a damp cloth and wipe them dry.



Do not remove the control buttons/knobs to clean the control panel.
Control panel may get damaged!

Cleaning the oven

Clean oven door

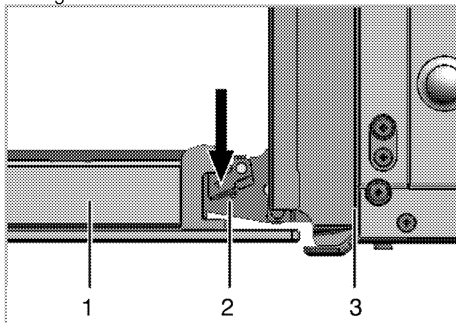
To clean the oven door, use warm water with washing liquid, a soft cloth or sponge to clean the product and wipe it with a dry cloth.



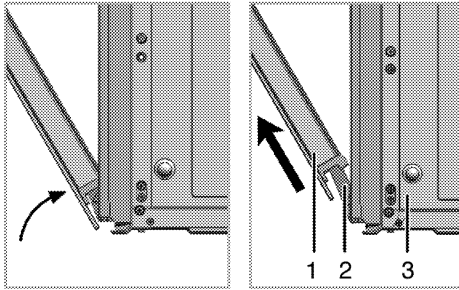
Don't use any harsh abrasive cleaners or sharp metal scrapers for cleaning the oven door. They could scratch the surface and destroy the glass.

Removing the oven door

1. Open the front door (1).
2. Open the clips at the hinge housing (2) on the right and left hand sides of the front door by pressing them down as illustrated in the figure.



- 1 Front door
- 2 Hinge
- 3 Oven



3. Move the front door to half-way.
4. Remove the front door by pulling it upwards to release it from the right and left hinges.

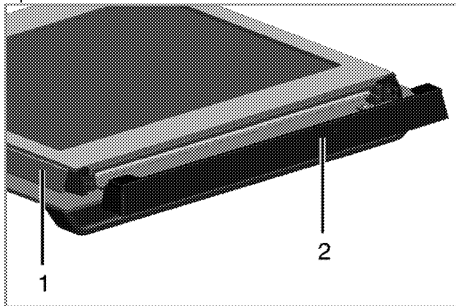


Steps carried out during removing process should be performed in reverse order to install the door. Do not forget to close the clips at the hinge housing when reinstalling the door.

Removing the door inner glass

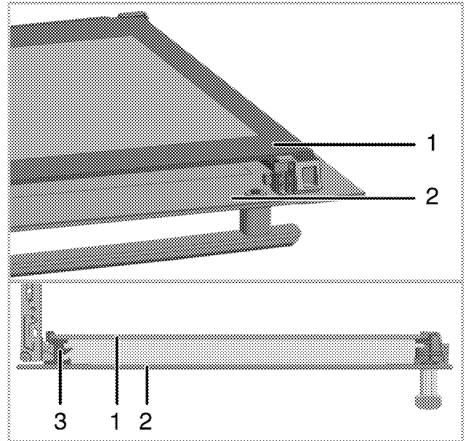
The inner glass panel of the oven door can be removed for cleaning.

Open the oven door.



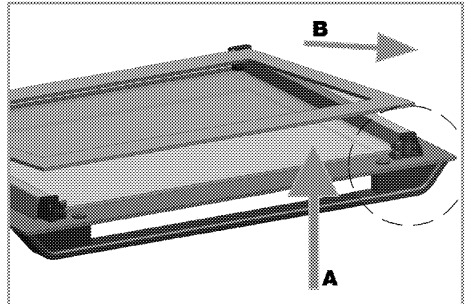
- 1 Frame
- 2 Plastic part

Pull towards yourself and remove the plastic part installed to upper section of the front door.



- 1 Inner glass panel
- 2 Outer glass panel
- 3 Plastic glass panel slot-Lower

As illustrated in figure, raise the innermost glass panel (1) slightly in direction **A** and pull it out in direction **B**.



When installing the inner glass panel (1), make sure that the printed side of the panel faces towards the inner.

It is important to seat lower corner of inner glass panel into the lower plastic slot.

Push the plastic part towards the frame until you hear a "click".

Replacing the oven lamp



DANGER:

Before replacing the oven lamp, make sure that the product is disconnected from mains and cooled down in order to avoid the risk of an electrical shock. Hot surfaces may cause burns!



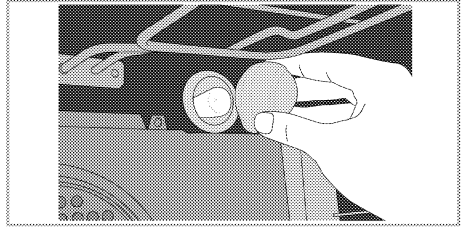
The oven lamp is a special electric light bulb that can resist up to 300 °C. See *Technical specifications, page 9* for details. Oven lamps can be obtained from Authorised Service Agents.



Position of lamp might vary from the figure.

If your oven is equipped with a round lamp:

1. Disconnect the product from mains.
2. Turn the glass cover counter clockwise to remove it.



3. Remove the oven lamp by turning it counter clockwise and replace it with the new one.
4. Install the glass cover.

7 Troubleshooting

Oven emits steam when it is in use.

- It is normal that steam escapes during operation. >>> *This is not a fault.*

Product emits metal noises while heating and cooling.

- When the metal parts are heated, they may expand and cause noise. >>> *This is not a fault.*

Product does not operate.

- The mains fuse is defective or has tripped. >>> *Check fuses in the fuse box. If necessary, replace or reset them.*
- Product is not plugged into the (grounded) socket. >>> *Check the plug connection.*

Oven light does not work.

- Oven lamp is defective. >>> *Replace oven lamp.*
- Power is cut. >>> *Check if there is power. Check the fuses in the fuse box. If necessary, replace or reset the fuses.*

Oven does not heat.

- Function and/or Temperature are not set. >>> *Set the function and the temperature with the Function and/or Temperature knob/key.*
- In models equipped with a timer, the timer is not adjusted. >>> *Adjust the time.*
(In products with microwave oven, timer controls only microwave oven.)
- Power is cut. >>> *Check if there is power. Check the fuses in the fuse box. If necessary, replace or reset the fuses.*

(In models with timer) Clock display is blinking or clock symbol is on.

- A previous power outage has occurred. >>> *Adjust the time / Switch of the product and switch it on again.*



Consult the Authorised Service Agent or the dealer where you have purchased the product if you can not remedy the trouble although you have implemented the instructions in this section. Never attempt to repair a defective product yourself.

Перед началом эксплуатации прочитайте это руководство пользователя!

Уважаемый покупатель!

Спасибо за то, что отдали предпочтение продукции компании «Веко». Надеемся, что это высококачественное изделие, изготовленное с применением самых современных технологий, будет демонстрировать наилучшие результаты эксплуатации. Для этого перед началом эксплуатации внимательно прочитайте это руководство и всю сопутствующую документацию и используйте его в дальнейшем в качестве справочника. Если вы передаете изделие новому владельцу, передайте ему и руководство пользователя. Придерживайтесь всех предупреждений и информации, содержащихся в руководстве.

Помните, что данное руководство пользователя также может быть применимо к некоторым другим моделям. Различия между моделями будут указаны в руководстве.

Пояснения к символам

В данном руководстве пользователя используются следующие символы:



Важная информация или полезные советы по использованию.



Предупреждение о ситуациях, опасных для жизни людей и имущества.



Предупреждение об опасности поражения электрическим током.



Предупреждение об опасности пожара.



Предупреждение о горячих поверхностях.

1 Важные инструкции и предупреждения по технике безопасности и охране окружающей среды **4**

Общие правила техники безопасности	4
Электробезопасность	4
Безопасность изделия	6
Использование по назначению	7
Безопасность детей	8
Утилизация старого изделия	8
Утилизация упаковочных материалов	9

2 Общие сведения **10**

Обзор	10
Содержание упаковки	11
Содержание упаковки	11
Технические характеристики	11

3 Установка **12**

До начала установки	12
Установка и подключение	15
Для будущей транспортировки	16

4 Подготовка к эксплуатации **18**

Рекомендации по экономии электроэнергии	18
Подготовка к эксплуатации	18

Очистка прибора перед началом эксплуатации	18
Первоначальный прогрев	18

5 Правила эксплуатации духовки **20**

Общие сведения о выпекании, жарении и приготовлении с грилем	20
Правила эксплуатации электрической духовки	21
Режимы работы	21
Использование часов духовки	22
Время приготовления блюд	23
Как пользоваться грилем	24
Время приготовления блюд на гриле	24

6 Уход и техническое обслуживание **25**

Общие сведения	25
Чистка панели управления	25
Чистка духовки	25
Снятие дверцы духового шкафа	26
Снятие внутреннего стекла дверцы	26
Замена лампочки освещения духового шкафа	27

7 Поиск и устранение неисправностей **28**

1 Важные инструкции и предупреждения по технике безопасности и охране окружающей среды

В данном разделе содержатся инструкции по технике безопасности, которые помогут вам избежать травм и повреждений. При несоблюдении этих правил все гарантийные обязательства аннулируются.

Общие правила техники безопасности

- Это изделие может эксплуатироваться детьми старше 8 лет и людьми с ограниченными физическими, сенсорными или умственными способностями, а также лицами, не имеющими достаточного опыта и знаний, только в том случае, если они находятся под наблюдением лиц, ответственных за их безопасность, или проинструктированы на предмет безопасного использования изделия и осознают связанные с этим риски. Следите за тем, чтобы дети не играли с устройством. Дети могут чистить и обслуживать устройство только под наблюдением.
- Работы по установке и ремонту должны выполняться

только представителями авторизованной сервисной службы. Производитель не несет ответственности за повреждения в результате выполнения работ лицами, не имеющими соответствующей квалификации. Это также может привести к аннулированию гарантии. Перед установкой внимательно прочтите инструкции.

- Не пользуйтесь неисправным изделием, а также при наличии на нем заметных повреждений.
- Проверяйте, чтобы после каждого использования переключатели функций изделия были выключены.

Электробезопасность

- В случае неисправности следует прекратить эксплуатацию изделия, пока оно не будет отремонтировано в авторизованном сервисном центре. Существует риск поражения электрическим током!
- Изделие можно подключать только к заземленной розетке/линии, напряжение и уровень защиты которой

соответствуют параметрам, указанным в разделе «Технические характеристики».

Установку заземления должен выполнять квалифицированный специалист (при использовании прибора с трансформатором или без него). Наша компания не несет ответственности за какие-либо проблемы, возникшие вследствие использования изделия без заземления, выполненного в соответствии с местными нормами и правилами.

- Никогда не лейте воду на изделие во время мытья! Существует риск поражения электрическим током!
- Прежде чем приступить к установке, техническому обслуживанию, чистке и ремонту, изделие необходимо отключить от электросети.
- Во избежание несчастных случаев при повреждении кабеля питания его замену должен выполнять производитель, его специалист по сервису или лицо, имеющее аналогичную квалификацию.
- Электроприбор следует устанавливать таким образом, чтобы его можно было

полностью отсоединить от сети электропитания. Отсоединение должно осуществляться с помощью штепсельной вилки или выключателя, встроенного в фиксированную сеть электропитания, в соответствии со строительными нормативами и правилами.

- Задняя стенка духового шкафа во время работы сильно нагревается. Следите за тем, электрические провода не соприкасались с задней стенкой, так как это может привести к их повреждению.
- Следите за тем, чтобы шнур питания не был зажат между рамой и дверцей духового шкафа, и не прокладывайте его по горячим поверхностям. В противном случае изоляция кабеля может расплавиться, что приведет к короткому замыканию и пожару.
- Все работы с электрическим оборудованием и системами должны выполняться только квалифицированными специалистами, допущенными к выполнению таких работ.
- В случае какого-либо повреждения выключите прибор и отсоедините его от

электросети. Для этого выключите общий предохранитель в доме.

- Проверьте, соответствуют ли изделию номинальные характеристики предохранителя.

Безопасность изделия

- Данное изделие и его внешние части нагреваются в процессе использования. Будьте осторожны, не касайтесь нагревательных элементов. Детей младше 8 лет следует допускать к духовому шкафу только под постоянным присмотром взрослых.
- Не пользуйтесь прибором, находясь под воздействием алкоголя или лекарственных препаратов, снижающих скорость реакции или нарушающих координацию движений.
- Будьте осторожны при использовании спиртных напитков в приготавливаемых блюдах. При высокой температуре спирт испаряется и при соприкосновении с горячими поверхностями может загореться и вызвать пожар.
- Не располагайте рядом с прибором

легковоспламеняющиеся материалы, так как во время работы его боковые поверхности могут сильно нагреваться.

- Во время работы устройство может нагреваться. Будьте осторожны, не касайтесь нагревательных элементов внутри духового шкафа.
- Следите за тем, чтобы вентиляционные отверстия были полностью открыты.
- Не разогревайте в духовом шкафу продукты в закрытых жестяных или стеклянных банках. Внутри банок может повыситься давление, что приведет к взрыву.
- Не ставьте противни или посуду непосредственно на дно духового шкафа, а также не кладите на него алюминиевую фольгу. Избыточное тепло может привести к повреждению дна духового шкафа.
- Не используйте для чистки стеклянной дверцы духового шкафа грубые абразивные чистящие средства или острые металлические скребки, чтобы не поцарапать поверхность, поскольку это может привести к разрушению стекла.

- Не используйте для чистки устройства пароочистители, поскольку это может привести к поражению электрическим током.
- Используйте решетки согласно с «Правилами эксплуатации электрического духового шкафа».
- Не пользуйтесь духовым шкафом, если стекло в передней дверце потрескалось или вынуто.
- Ручка духовки не предназначена для сушки полотенец. Если функция гриля включена, а дверца открыта, не вешайте полотенца, перчатки и другие тряпичные изделия.
- Помещая продукты в горячий духовой шкаф или вынимая их оттуда, обязательно пользуйтесь термостойкими рукавицами.
- Перед заменой лампочки убедитесь, что устройство выключено, чтобы избежать поражения электрическим током.

Для обеспечения пожарной безопасности изделия соблюдайте нижеуказанные правила.

- Убедитесь, что вилка плотно вставлена в розетку и не искрит.
- Запрещается использовать поврежденный либо обрезанный кабель, а также удлинитель; можно пользоваться только оригинальным кабелем.
- Убедитесь, что в розетке, к которой подключается изделие, отсутствуют жидкость или влага.

Использование по назначению

- Данное изделие предназначено исключительно для бытового использования. Запрещается использовать прибор в коммерческих целях.
- Данное изделие предназначено исключительно для приготовления пищи. Его запрещено использовать для других целей, например, для обогрева помещения."
- Изделие не следует использовать с целью нагревания тарелок под грилем, сушки полотенец и посудных полотенец, путем развешивания их на ручках, а

- также для обогрева помещения.
- Производитель не несет ответственности за повреждения в результате использования изделия не по назначению или неправильного обращения с ним.
 - Духовой шкаф можно использовать для размораживания, выпекания, жарения и приготовления продуктов на гриле.

Безопасность детей

- Доступные части прибора могут сильно нагреваться при использовании. Не допускайте к ним детей.
- Упаковочные материалы опасны для детей. Храните упаковочные материалы в недоступном для детей месте. Утилизируйте все упаковочные материалы в соответствии с нормами по охране окружающей среды.
- Электрическое оборудование представляет опасность для детей. Во время работы духового шкафа не допускайте к нему детей, а также не разрешайте им играть с ним.

- Не размещайте над прибором предметы, которые дети могут попытаться достать.
- **Не** ставьте на открытую дверцу тяжелые предметы и **не** позволяйте детям садиться на нее, Духовой шкаф может перевернуться, а также могут быть повреждены петли дверцы.

Утилизация старого изделия



Утилизируйте старое изделие экологически безопасным способом.

Данное изделие имеет символ отдельной сортировки отходов электрического и электронного оборудования (WEEE). Это означает, что с данным оборудованием необходимо обращаться в соответствии с Европейской директивой 2002/96/ЕС, чтобы отрицательное воздействие на окружающую среду при его переработке или разборке сводилось к минимуму. Для получения дополнительной информации обращайтесь в местные или региональные органы власти. Чтобы узнать о порядке утилизации вашего изделия, обратитесь к местному дилеру или

в пункт сбора твердых отходов
вашего региона.

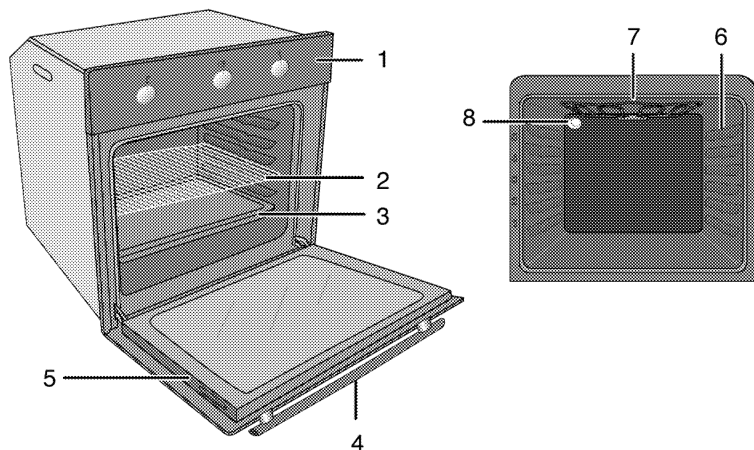
Прежде чем утилизировать
изделие, отрежьте вилку шнура
питания и выведите из строя
замок дверцы (если он имеется),
чтобы не создавать опасных
ситуаций для детей.

Утилизация упаковочных материалов

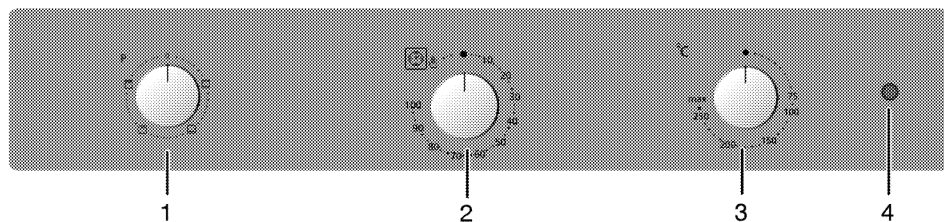
- Упаковочные материалы
опасны для детей. Храните
упаковочные материалы в
безопасном и недоступном для
детей месте. Упаковочные
материалы изделия
изготовлены из материалов,
подлежащих вторичной
переработке. Утилизируйте их
соответствующим образом и
сортируйте согласно
инструкций по обращению с
отходами, подлежащими
вторичной переработке. Не
утилизируйте их вместе с
обычными бытовыми
отходами.

2 Общие сведения

Обзор



- | | | | |
|---|---------------------|---|--------------------------------|
| 1 | Панель управления | 5 | Дверца |
| 2 | Проволочная решетка | 6 | Положения полок |
| 3 | Противень | 7 | Верхний нагревательный элемент |
| 4 | Ручка дверцы | 8 | Лампочка |



- | | |
|---|----------------------|
| 1 | Ручка выбора функции |
| 2 | Механический таймер |
| 3 | Ручка термостата |
| 4 | Лампочка термостата |

Содержание упаковки

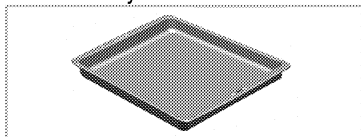


Изделие комплектуется различным набором дополнительных принадлежностей в зависимости от модели. Некоторые дополнительные принадлежности, описанные в руководстве пользователя, в комплекте этого изделия могут отсутствовать.

1. Руководство пользователя

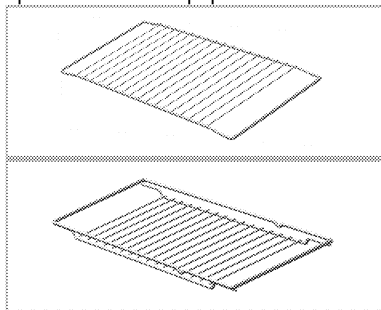
2. Противень

Предназначен для выпечки изделий из теста, размораживания замороженных продуктов и жарения продуктов большими кусками.



3. Проволочная решетка

Предназначена для жарения, а также для размещения продуктов на нужной полке при выпечке, жарении или приготовлении в формах.



Технические характеристики

Напряжение/частота	220-240 В ~ 50 Гц
Общая потребляемая мощность	2,4 кВт
Предохранитель	мин. 16 А
Тип кабеля/сечение	H05VV-FG 3 x 1,5 мм ²
Длина кабеля	макс. 2 м
Габариты (высота / ширина / глубина)	595 мм/594 мм/567 мм
Установочные размеры (высота/ширина/глубина)	**590 или 600 мм/560 мм/мин. 550 мм
Главный духовой шкаф	Обычный духовой шкаф
Класс энергетической эффективности*	A
Лампочка внутреннего освещения	15/25 Вт
Гриль: потребляемая мощность	2,2 кВт

Основные сведения Данные на паспортной табличке энергопотребления электрических духовых шкафов приведены в соответствии со стандартом EN 50304. Эти данные определены при стандартной нагрузке с функциями нижнего-верхнего нагревательного элемента или нагрева с помощью вентилятора (при наличии).

Класс энергетической эффективности определен в соответствии с приведенными ниже приоритетами в зависимости от наличия или отсутствия соответствующих функций в изделии. 1 - Приготовление с вентилятором - экономичный режим, 2 - Медленное приготовление в турборежиме, 3 - Приготовление в турборежиме, 4 - Нагрев сверху и снизу с вентилятором, 5 - Нагрев сверху и снизу.

** См. раздел *Установка, стр. 12.*



При усовершенствовании качества продукции технические характеристики могут быть изменены без предварительного уведомления.



Иллюстрации в данном руководстве являются схематичными и могут несколько отличаться от конкретного изделия.



Значения, указанные на этикетках изделия или в сопроводительной документации, получены в лабораторных условиях согласно соответствующим стандартам. Эти данные могут быть иными в зависимости от условий эксплуатации изделия.

3 Установка

Прибор должен устанавливаться квалифицированным специалистом в соответствии с действующими нормами и правилами. В противном случае гарантия аннулируется. Производитель не несет ответственности за повреждения в результате выполнения работ лицами, не имеющими соответствующей квалификации. Это может привести к аннулированию гарантии.



Подготовка места установки, электрического оборудования обеспечивается покупателем.



ОПАСНО:

Бытовой прибор следует устанавливать в соответствии со всеми местными нормами по подключению газового и/или электрического оборудования.



ОПАСНО:

Прежде чем приступать к установке, визуально проверьте отсутствие внешних дефектов духового шкафа. При наличии дефектов не устанавливайте его. Поврежденные электроприборы представляют собой угрозу вашей безопасности.

До начала установки

Прибор предназначен для установки в стандартную кухонную мебель, имеющуюся в продаже. Между бытовой техникой, стенами кухни и мебелью следует оставить определенное безопасное расстояние. См. рисунок (размеры приведены в миллиметрах).

- Используемые поверхности, синтетические покрытия и клеи должны быть термостойкими (не менее 100 °С).
- Кухонные шкафчики должны быть выровнены по уровню и закреплены.
- Если под духовкой есть выдвижной ящик, между ним и духовкой необходимо установить перегородку.
- Переноску устройства должны выполнять не менее двух человек.



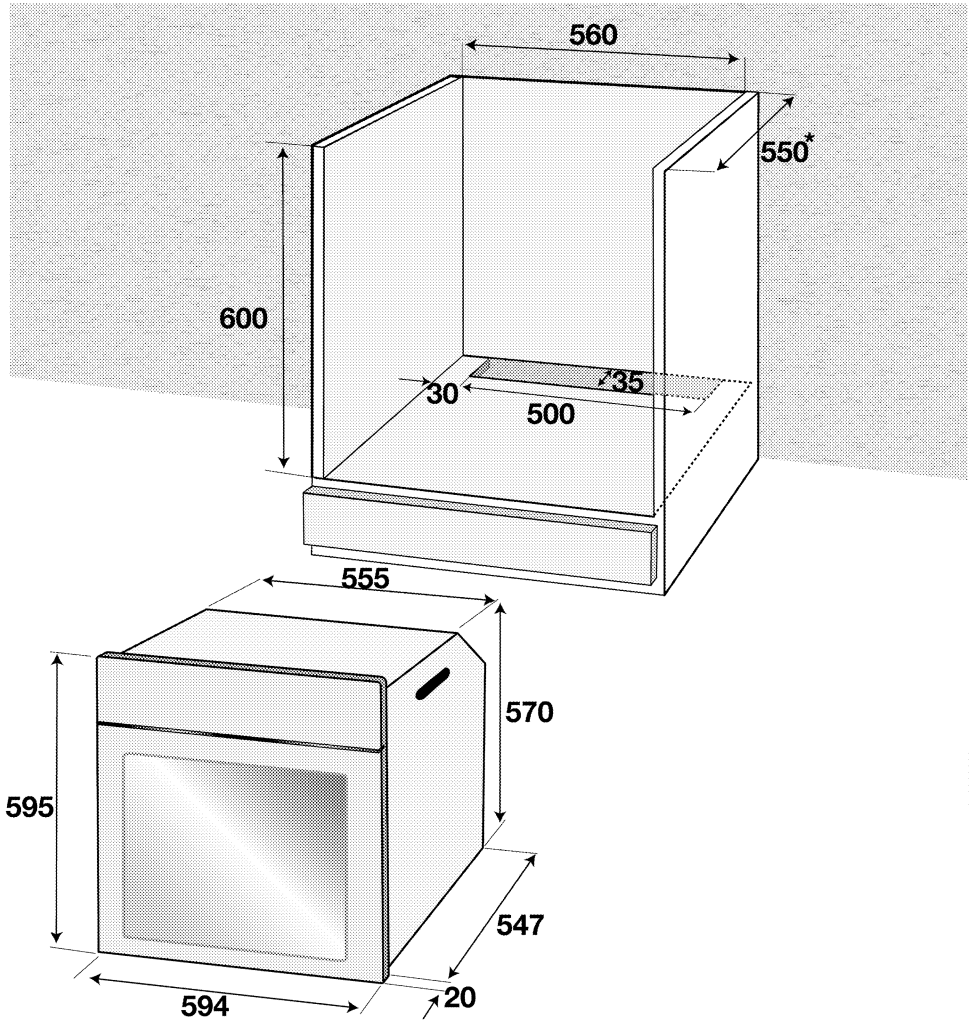
Не устанавливайте изделие рядом с холодильником или морозильной камерой. Поскольку духовой шкаф излучает тепло, холодильники будут потреблять больше электроэнергии.



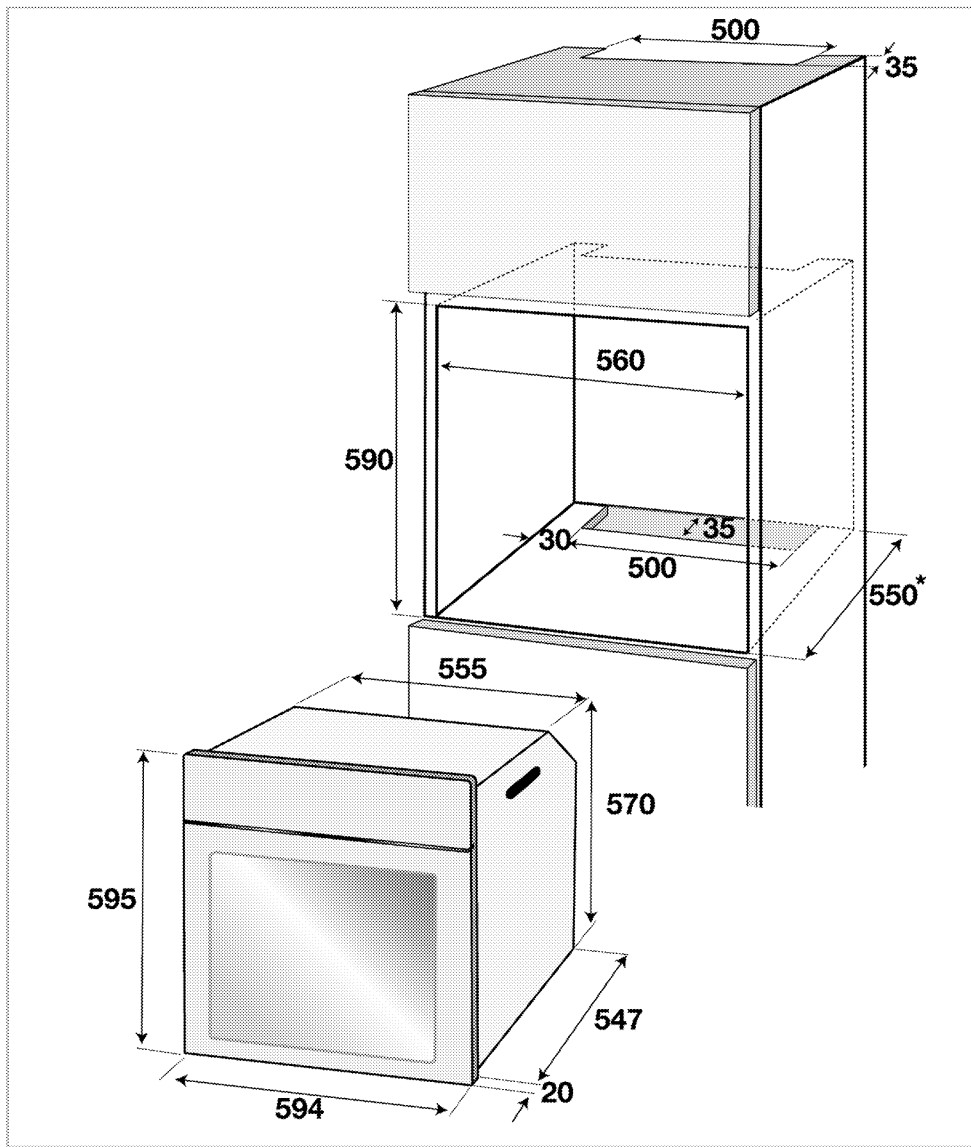
Не перемещайте устройство, держась за дверцу и/или за ручку дверцы.



Если прибор снабжен проволочными ручками, после перемещения духового шкафа прижмите их к боковым стенкам.



* МИН.



* МИН.

Установка и подключение

- Прибор следует устанавливать и подключать в соответствии с действующими нормами и правилами.

Подключение к электросети

Подключайте прибор к розетке или линии с заземлением, защищенную предохранителем, мощность которого соответствуют данным, приведенным в таблице "Технические характеристики". Установку заземления должен выполнять квалифицированный специалист (при использовании прибора с трансформатором или без него). Наша компания не несет ответственности за ущерб, понесенный вследствие использования прибора без заземления, выполненного в соответствии с местными нормами и правилами.



ОПАСНО:

Подключение прибора к электросети должен выполнять квалифицированный специалист, имеющий право на выполнение таких работ. Гарантийный период начинается только после правильной установки. Производитель не несет ответственности за повреждения в результате выполнения работ лицами, не имеющими соответствующей квалификации.



ОПАСНО:

Шнур питания не должен быть сдавлен, изогнут или зажат, а также не должен соприкасаться с нагревающимися компонентами изделия. Замену поврежденного шнура питания должен выполнять квалифицированный электрик. В противном случае это может привести к поражению электрическим током, короткому замыканию или возгоранию!

- Подключение должно выполняться в соответствии с национальными нормами.
- Параметры электрической сети должны соответствовать данным, указанным на паспортной табличке прибора. Табличку с данными можно увидеть, открыв переднюю дверцу.
- Шнур питания прибора должен соответствовать параметрам, указанным в таблице "Технические характеристики".



ОПАСНО:

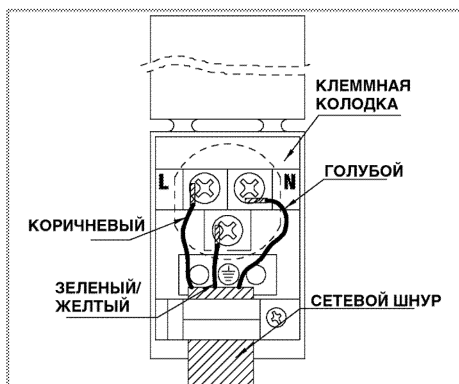
Перед выполнением каких-либо электромонтажных работ отключите прибор от электрической сети. Существует риск поражения электрическим током!

Подключение кабеля питания

1. Если нет возможности установить автоматический выключатель на все контакты, то в соответствии с директивами МЭК следует использовать для подключения размыкатели с контактным зазором не менее 3 мм (плавкие предохранители, защитные сетевые выключатели, замыкатели). Место подключения должно находиться рядом с прибором, но не над плитой. Несоблюдение этих указаний может вызвать проблемы в процессе эксплуатации, а также привести к аннулированию гарантии на прибор.

В качестве дополнительной меры безопасности рекомендуется использовать устройство защитного отключения.

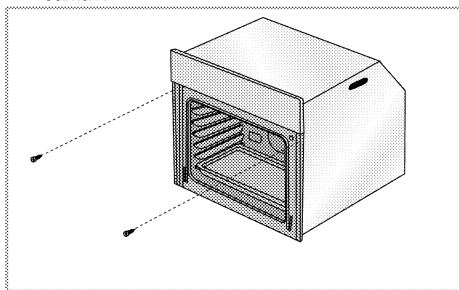
Подключение кабелем, прилагаемым к прибору



2. **Инструкция по подключению к однофазной электрической сети**
- коричневый/черный провод = L (фаза)
 - синий/серый провод = N (нейтраль)
 - желто-зеленый провод = (E) \equiv (земля)

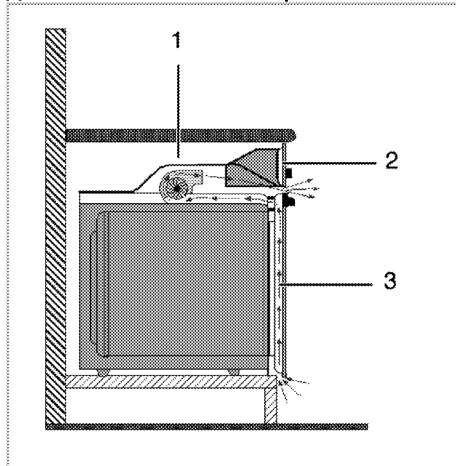
Инструкция по монтажу

1. Вставьте духовой шкаф в кухонную мебель, выровняйте и закрепите. Одновременно убедитесь в том, что шнур питания не поврежден и/или не зажат.



Закрепите духовой шкаф 2 винтами, как показано на рисунке.

Для изделий с вентилятором охлаждения



- 1 Вентилятор охлаждения
- 2 Панель управления
- 3 Дверца

Встроенный вентилятор охлаждения охлаждает встроенную часть прибора и переднюю панель.



Вентилятор охлаждения продолжает работать в течение 20-30 минут после выключения духового шкафа.

Окончательная проверка



1. Включите вилку шнура питания в розетку и включите предохранитель изделия.
2. Проверьте, произошло ли включение.

Для будущей транспортировки

- Сохраните оригинальную упаковочную коробку и перевозите прибор в ней. Следуйте указаниям, нанесенным на упаковке. Если оригинальная упаковочная коробка не сохранилась, заверните изделие в пузырчатую упаковку или поместите в плотный картон. Надежно заклейте клейкой лентой.
- Чтобы проволочная решетка и противень, которые хранятся внутри духовки, не повредили дверцу, поместите с внутренней стороны дверцы картонную полосу вровень с

противнями. Прикрепите дверцу духового шкафа к боковым стенкам клейкой лентой.

- Не поднимайте и не передвигайте духовой шкаф, держась за дверцу или за ручку дверцы.

	Не размещайте на приборе никаких предметов и не ставьте его вертикально.
	Осмотрите прибор снаружи на предмет возможных повреждений при транспортировке.

4 Подготовка к эксплуатации

Рекомендации по экономии электроэнергии

Эти рекомендации помогут вам использовать изделие экологически чистым способом и экономить электроэнергию.

- Используйте в духовом шкафу темную или эмалированную посуду: это позволит улучшить теплопередачу.
- Прогревайте духовой шкаф перед приготовлением пищи, если это рекомендуется в руководстве пользователя или в инструкциях по приготовлению продуктов.
- Во время приготовления пищи не открывайте дверцу духового шкафа слишком часто.
- По возможности старайтесь готовить в духовом шкафу несколько блюд одновременно. При приготовлении пищи на решетку можно устанавливать по две емкости с продуктами.
- Готовьте блюда одно за другим. Духовой шкаф уже будет прогрет.
- Для экономии электроэнергии можно выключать духовой шкаф за несколько минут до окончания приготовления блюда. Не открывайте дверцу духового шкафа.
- Размораживайте замороженные продукты перед приготовлением.

Подготовка к эксплуатации Очистка прибора перед началом эксплуатации



Некоторые моющие средства и чистящие материалы могут повредить поверхность.

Не используйте для чистки агрессивные моющие средства, чистящие порошки/кремы, а также острые предметы.

1. Снимите все упаковочные материалы.
2. Протрите поверхность прибора влажной тканью или губкой и вытрите насухо.

Первоначальный прогрев

Прогрейте прибор в течение 30 минут, а затем выключите. Это обеспечит выгорание и удаление производственных загрязнений и покрытий.



ПРЕДУПРЕЖДЕНИЕ!

Горячие поверхности могут причинить ожоги!

Во время работы прибор может сильно нагреваться. Не прикасайтесь к горячим конфоркам, внутренним частям духового шкафа, нагревательным элементам и т.п. Не разрешайте детям приближаться к нему.

Помещая продукты в горячий духовой шкаф или вынимая их оттуда, обязательно пользуйтесь термостойкими перчатками.

Электрический духовой шкаф

1. Выньте из духового шкафа все противни и решетку.
2. Закройте дверцу духового шкафа.
3. Выберите положение Static (Статический)
4. Включите гриль на максимальную мощность (см. раздел *Правила эксплуатации электрической духовки*, стр. 21).
5. Дайте духовому шкафу поработать около 30 минут.
6. Затем выключите духовой шкаф (см. раздел *Правила эксплуатации электрической духовки*, стр. 21)

Духовой шкаф с грилем

1. Выньте из духового шкафа все противни и решетку.
2. Закройте дверцу духового шкафа.
3. Включите гриль на максимальную мощность (см. раздел *Как пользоваться грилем*, стр. 24).
4. Дайте духовому шкафу поработать около 30 минут.
5. Затем выключите духовой шкаф (см. раздел *Как пользоваться грилем*, стр. 24)



При первом включении в течение нескольких часов возможно выделение дыма и запаха. Это вполне нормально. Убедитесь, что кухня хорошо проветривается, чтобы удалить дым и запах. Не вдыхайте выделяющиеся дым и запахи.

5 Правила эксплуатации духовки

Общие сведения о выпекании, жарении и приготовлении с грилем



ПРЕДУПРЕЖДЕНИЕ!

Горячие поверхности могут причинить ожоги!

Во время работы прибор может сильно нагреваться. Не прикасайтесь к горячим конфоркам, внутренним частям духового шкафа, нагревательным элементам и т.п. Не разрешайте детям приближаться к нему.

Помещая продукты в горячий духовой шкаф или вынимая их оттуда, обязательно пользуйтесь термостойкими рукавицами.



ОПАСНО:

Будьте осторожны, открывая дверцу духового шкафа, так как наружу может выходить пар.

Выпускаемый пар может обжечь вам руки, лицо и/или глаза.

Советы по выпеканию

- Используйте антипригарные металлические тарелки или алюминиевые контейнеры с соответствующим покрытием, либо термостойкие силиконовые формы.
- Рационально используйте площадь решетки.
- Устанавливайте форму для выпекания в середине решетки.
- Выбирайте правильное положение решетки перед включением духового шкафа или гриля. Не изменяйте положение решетки, когда духовой шкаф горячий.
- Держите закрытой дверцу шкафа.

Советы по приготовлению жареных блюд

- Тушку курицы или индейки и большие куски мяса перед приготовлением рекомендуется сбрызнуть лимонным

соком и посыпать черным перцем. Тогда готовое блюдо будет вкуснее.

- Мясо с костями следует жарить на 15-30 минут дальше, чем такое же количества мяса без костей.
- На каждый сантиметр толщины мяса требуется приблизительно 4-5 минут времени приготовления.
- По истечении времени приготовления мяса оставьте его в духовом шкафу примерно на 10 минут. Сок лучше распределится внутри куска жареного мяса и не будет вытекать, когда вы будете разрезать мясо.
- Рыбу в термостойкой посуде следует готовить на решетке, установленной на средний или нижний уровень.

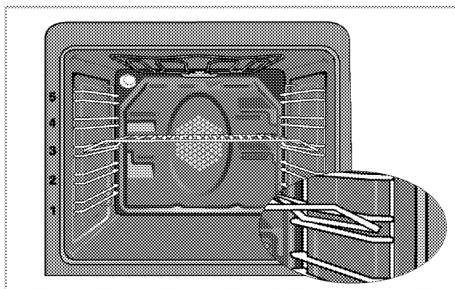
Советы по приготовлению продуктов на гриле

При приготовлении на гриле мясо, рыба или птица быстро подрумянивается, сверху образуется хрустящая корочка, и продукт не пересыхает. На гриле можно отлично приготовить не только тонкие куски мяса, шашлыки и сосиски, но и овощи с большим содержанием жидкости (например, помидоры и лук).

- Для приготовления на гриле разложите куски продуктов на решетке или на противне с решеткой так, чтобы площадь, занимаемая продуктами, соответствовала размерам нагревательного элемента.
- Вставьте решетку или противень с решеткой в духовку на нужный уровень. Если продукты готовятся на решетке, установите на нижний уровень поддон для сбора жира. Для облегчения чистки поддона налейте в него немного воды.



Продукты, которые не подходят для приготовления на гриле, могут привести к возгоранию. На гриле можно готовить только такие продукты, которые выдерживают интенсивный нагрев. Не размещайте продукты слишком близко к задней части гриля. Эта зона нагревается сильнее всего, и жирные продукты могут загореться.



Уровни духовки (для моделей с грилем)

Правильно устанавливайте решетку в направляющие. Решетку следует вставить между направляющими, как показано на рисунке.

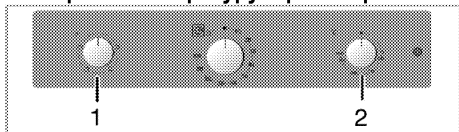
Следите за тем, чтобы решетка не упиралась в заднюю стенку духовки. Чтобы гриль нормально работал, выдвиньте решетку к передней части направляющих и отрегулируйте ее положение с помощью дверцы.

Режимы работы

Приведенная здесь последовательность режимов работы может отличаться от вашей модели.

Правила эксплуатации электрической духовки

Выберите температуру и режим работы



1 Ручка выбора функции

2 Ручка термостата

1. Настройте таймер духовки на нужную продолжительность приготовления (см. раздел).
2. Установите нужную температуру с помощью регулятора температуры.
3. Установите нужный режим работы с помощью ручки выбора функций.

» После нагрева духовки в ней будет поддерживаться заданная температура. Во время нагрева будет светиться индикатор температуры.

Выключение электрической духовки

Переведите таймер духовки в положение отключения.



Когда таймер установлен на определенное время, он выключается автоматически (см.

Поверните ручку выбора функций и регулятор температуры в положение отключения (вверх).

Нагрев сверху и снизу



Работают оба нагревательных элемента — и верхний, и нижний. Продукты подгреваются одновременно сверху и снизу. Этот режим подходит, например, для тортов, разной выпечки, а также кексов и запеканок в формах.. Готовьте только с одним противнем.

Нагрев снизу



Работает только нижний нагревательный элемент. Подходит для выпечки пиццы и дополнительного обжаривания продуктов с нижней стороны.

Гриль



Работает малый гриль на потолке духовки. Может использоваться для приготовления блюд на гриле.

- Для приготовления блюд в этом режиме расположите под нагревателем гриля на соответствующем уровне духовки небольшое или среднее количество продукта.
- Установите температуру на максимальный уровень.
- Когда пройдет половина времени, отведенного на приготовление, переверните продукт.

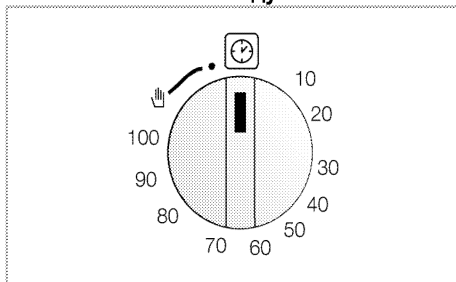
Full grill (Усил. гриль)



Работает большой гриль на потолке духовки. Подходит для приготовления на гриле больших порций мяса.

- Для приготовления на гриле положите большие или средние порции под нагревательный элемент гриля на соответствующий уровень полки духового шкафа.
- Установите температуру на максимальный уровень.
- Когда пройдет половина времени, отведенного на приготовление, переверните продукт.

Использование часов духовки



Подготовка к работе и приготовление блюд




Для подготовки духовки к работе необходимо выбрать нужный режим и температуру приготовления, а также установить время. В противном случае духовка работать не будет.

1. Задайте продолжительность приготовления, повернув ручку Time Adjustment (Установка времени) по часовой стрелке.
 2. Поставьте блюдо в духовой шкаф.
 3. Выберите режим работы и температуру (см. *Правила эксплуатации электрической духовки, стр. 21.*)
» Духовка разогреется до заданной температуры, которая будет поддерживаться до установленного времени окончания приготовления.
 4. По истечении заданного времени приготовления ручка Time Adjustment (Установка времени) автоматически повернется против часовой стрелки. Прозвучит звуковой сигнал, означающий, что заданное время истекло, и прибор выключится.
-
- Если таймер не используется, выключите его, повернув ручку против часовой стрелки к символу руки.
5. Духовку можно выключить с помощью регулятора времени, ручки выбора функций и регулятора температуры.


Досрочное выключение духовки















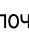

1. Поверните регулятор Time Adjustment (Установка времени) против часовой стрелки до упора.
2. Выключите духовку с помощью ручки выбора функций и регулятора температуры.

Время приготовления блюд

 Значения времени в этой таблице следует считать справочными. Они могут изменяться в зависимости от температуры продуктов, толщины, вида и ваших кулинарных предпочтений.

Выпечка и жарение

 1-й полкой духового шкафа является нижняя полка.

Блюдо	Количество уровней размещения		Уровень размещения	Температура (°C)	Примерное время приготовления (мин.)
**Выпечка на противне	Один уровень		3	175	25 ... 30
**Выпечка в форме	Один уровень		2	175	40 ... 50
**Выпечка в кулинарной бумаге	Один уровень		3	175	25 ... 30
**Бисквит	Один уровень		3	200	5 ... 10
**Печенье	Один уровень		3	175	25 ... 30
**Изделия из теста	Один уровень		2	200	30 ... 40
**Сдобная выпечка	Один уровень		2	200	25 ... 35
**Закваска	Один уровень		2	200	35 ... 45
**Пазанья	Один уровень		2 - 3	200	30 ... 40
**Пицца	Один уровень		2	200 ... 220	15 ... 20
Бифштекс (куском) / Жаркое	Один уровень		2	25 мин. 250/макс., затем 180 - 190	100 ... 120
Баранья нога (запеканка)	Один уровень		2	25 мин. 220, затем 190	70 ... 90
Жареная курица	Один уровень		2	15 мин. 250/макс., затем 190	55 ... 65
Индейка (5,5 кг)	Один уровень		1	25 мин. 250/макс., затем 190	150 ... 210
Рыба	Один уровень		3	200	20 ... 30

(**) При приготовлении продуктов, требующих предварительного разогрева духового шкафа, разогревайте его в начале приготовления, пока не погаснет лампочка термостата.

Советы по выпечке

- Если изделие получается слишком сухим, следует повысить температуру примерно на 10°C и сократить время приготовления.
- Если изделие получается сырым, следует уменьшить количество жидкости или понизить температуру на 10°C.
- Если верхняя корочка слишком зарумянивается, следует поставить

изделие ниже, понизить температуру и увеличить время приготовления.

- Если изделие хорошо пропекается, но снаружи пригорает, следует уменьшить количество жидкости, понизить температуру и увеличить время приготовления.

Советы по выпечке

- Если изделие получается слишком сухим, следует повысить температуру примерно на 10°C и сократить время приготовления. Смажьте слои теста смесью из молока, растительного масла, яиц и йогурта.
- Следите за тем, чтобы толщина изделия не превышала глубины

противня, иначе оно будет долго выпекаться.

- Если верхний слой изделия подгорает, а нижний остается сырым, возможно, в нижнем слое изделия слишком много начинки. Чтобы изделие ровно подрумянивалась, старайтесь равномерно распределять начинку между слоями теста и по поверхности изделия.



При выпечке изделий из теста соблюдайте режим и температуру, указанные в таблице рецептов. Если нижний слой изделия плохо пропекается, в следующий раз поставьте противень на один уровень ниже.

Советы по приготовлению овощных блюд

- Если овощи выпускают сок и становятся слишком сухими, готовьте их не на противне, а в сковороде под крышкой. В закрытой посуде сок сохранится.
- Если овощное блюдо остается сыроватым, прежде чем готовить овощи в духовом шкафу, можно их проварить или пробланшировать.

Как пользоваться грилем



ПРЕДУПРЕЖДЕНИЕ!

Закрывайте дверцу во время приготовления пищи на гриле. Горячие поверхности могут причинить ожоги!

- При приготовлении в режиме гриля поверните регулятор времени по часовой стрелке и установите на значок **Hand (Рука)**.

Включение гриля

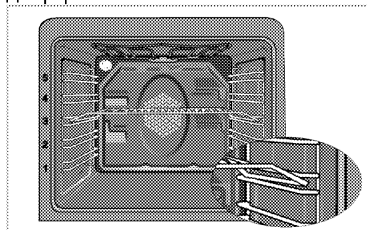
1. Поверните ручку выбора функций и установите на нужный значок режима «Гриль».
 2. Затем установите нужную температуру жаренья.
 3. При необходимости прогрейте гриль около 5 минут.
- » При этом включится индикаторная лампочка температуры.

Выключение гриля

1. Поверните ручку выбора функций в положение отключения (вверх).

Положение направляющих

Если решетка упирается в заднюю стенку духовки, то эффективность гриля снижается. Чтобы гриль работал с максимальной эффективностью, выдвиньте решетку к передней части направляющих и отрегулируйте ее положение с помощью дверцы.



Продукты, которые не подходят для приготовления на гриле, могут привести к возгоранию. На гриле можно готовить только такие продукты, которые выдерживают интенсивный нагрев. Не размещайте продукты слишком близко к задней части гриля. Эта зона нагревается сильнее всего, и жирные продукты могут загореться.

Время приготовления блюд на гриле

Приготовление блюд на электрическом гриле

Продукты	Уровень размещения	Время приготовления на гриле (прибл.)
Рыба	4..5	20...25 мин. #
Курица (куски)	4..5	25...35 мин.
Отбивные из молодой баранины	4..5	20...25 мин.
Ростбиф	4..5	25...30 мин. #
Отбивные из телятины	4..5	25...30 мин. #
Гренки	4	1...2 мин.

в зависимости от толщины

6 Уход и техническое обслуживание

Общие сведения

Регулярно выполняйте чистку прибора. Это позволит продлить срок его службы, а также избежать многих проблем.



ОПАСНО:

Перед выполнением работ по обслуживанию и чистке отключите прибор от электрической сети. Существует риск поражения электрическим током!



ОПАСНО:

Дайте изделию остыть, прежде чем приступать к чистке. Горячие поверхности могут причинить ожоги!

- Прибор следует тщательно чистить после каждого использования. Так легче удалять остатки пищи, которые могут пригореть при следующем использовании прибора.
- Для чистки прибора не требуются специальные чистящие средства. Прибор можно вымыть теплой водой с добавлением жидким моющего средства, используя мягкую ткань или губку. А затем протереть сухой тканью.
- Обязательно протирайте прибор насухо после чистки и сразу же удаляйте попавшую на него жидкость.
- Не используйте для чистки ручки и поверхностей из нержавеющей стали чистящие средства, содержащими кислоту или хлор. Эти детали можно протирать мягкой тканью, смоченной в жидком моющем средстве (без абразивных добавок), стараясь тереть в одном направлении.



Некоторые моющие средства и чистящие материалы могут повредить поверхность.

Не используйте для чистки агрессивные моющие средства, чистящие порошки/кремы, а также острые предметы.



Не используйте для чистки устройства пароочистители, поскольку это может привести к поражению электрическим током.

Чистка панели управления

Очистьте панель управления и ручки-регуляторы влажной тканью и вытрите насухо.



Для чистки панели управления не снимайте кнопки/ручки-регуляторы. Так можно повредить панель управления!

Чистка духовки

Чистка дверцы духовки

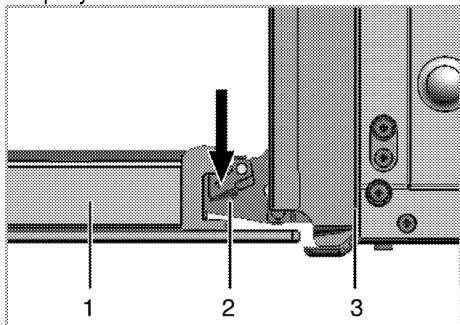
Мойте дверцу духовки мягкой тканью или губкой, смоченной в теплой воде с добавлением жидкого моющего средства, и вытирайте сухой тканью.



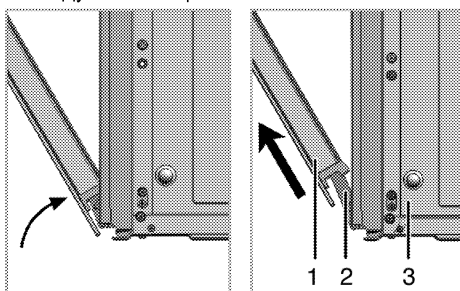
Не используйте для чистки дверцы моющие средства с абразивными веществами или металлические скребки. Они могут поцарапать поверхность и повредить стекло.

Снятие дверцы духового шкафа

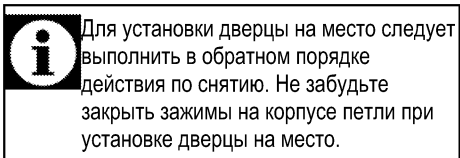
1. Откройте переднюю дверцу (1).
2. Откройте зажимы на корпусе петли (2) с правой и левой стороны передней дверцы, нажав на них, как показано на рисунке.



- 1 Передняя дверца
- 2 Петля
- 3 Духовой шкаф



3. Откройте переднюю дверцу наполовину.
4. Снимите переднюю дверцу, потянув ее вверх и освободив от правой и левой петли.

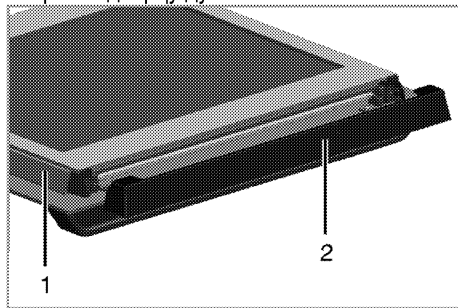


Снятие внутреннего стекла

дверцы

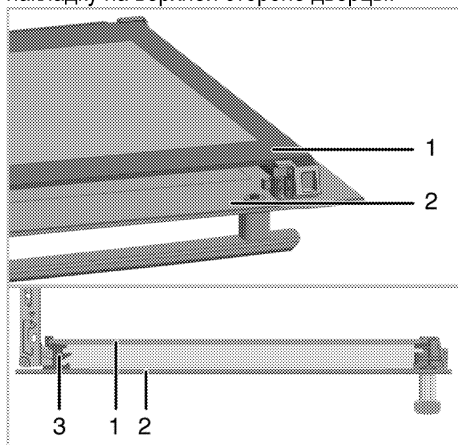
Внутреннее стекло панели дверцы духового шкафа можно снять для чистки.

Откройте дверцу духовки.



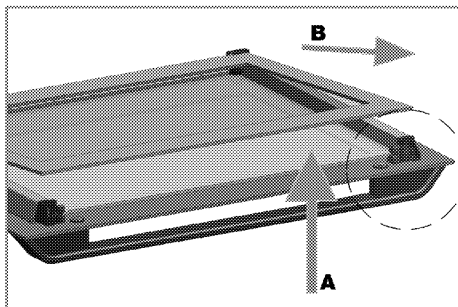
- 1 Рамка
- 2 Пластмассовая накладка

Потяните к себе и снимите пластмассовую накладку на верхней стороне дверцы.



- 1 Среднее стекло
- 2 Внешнее стекло
- 3 Пластмассовый держатель стекла – нижний

Приподнимите внутреннее стекло (1) в направлении **A** и вытяните его в направлении **B**, как показано на рисунке.



Среднее стекло (1) следует устанавливать таким образом, чтобы надпись на стекле была обращена внутрь.

Следите за тем, чтобы нижний угол среднего стекла был правильно вставлен в нижний пластмассовый держатель.

Прижмите пластмассовую накладку к раме до щелчка.

Замена лампочки освещения духового шкафа



ОПАСНО:

Во избежание поражения электрическим током, прежде чем заменять лампочку, убедитесь в том, что электроприбор отсоединен от сети и остыл.

Горячие поверхности могут причинить ожоги!



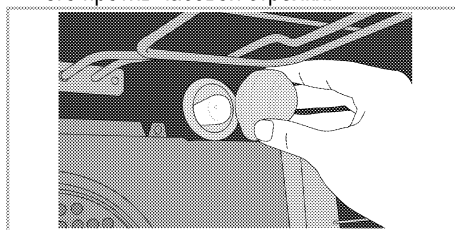
Для освещения духового шкафа используется специальная электрическая лампочка, которая может выдерживать температуру до 300 С. Дополнительные сведения см. в разделе "Технические характеристики, стр. 11". Лампочки освещения духового шкафа можно приобрести в фирменных сервисных центрах.



Расположение лампочки может отличаться от изображения на рисунке.

Замена круглой лампочки освещения духового шкафа

1. Отсоедините духовой шкаф от электросети.
2. Снимите стеклянный плафон, повернув его против часовой стрелки.



3. Выверните лампочку освещения духовки, поворачивая ее против часовой стрелки, и установите на ее место новую.
4. Установите на место стеклянный плафон.

7 Поиск и устранение неисправностей

Во время работы из духового шкафа выделяется пар.

- Вполне нормально, если пар выделяется во время работы. >>> *Это не является неисправностью.*

При нагревании и охлаждении прибор издает металлические шумы.

- При нагревании металлические детали могут расширяться и издавать звуки. >>> *Это не является неисправностью.*

Прибор шкафа не работает.

- Плавкий предохранитель неисправен или сработал. >>> *Проверьте плавкие предохранители в блоке предохранителей. При необходимости замените их или включите.*
- Духовой шкаф не включен в (заземленную) розетку электросети. >>> *Проверьте соединение штепсельной вилки.*

Освещение духовки не работает.

- Лампочка освещения духового шкафа неисправна. >>> *Замените лампочку освещения шкафа.*
- Нет электропитания. >>> *Проверьте наличие электропитания. Проверьте предохранители в блоке предохранителей. При необходимости замените или включите предохранители.*

Духовка не нагревается.

- Не задана функция или температура. >>> *Выберите функцию и установите температуру с помощью переключателя функций и (или) регулятора температуры.*
- В моделях, оснащенных таймером, таймер не установлен. >>> *Установите время.* (В моделях с микроволновой печью управление по таймеру действует только для микроволновой печи).
- Нет электропитания. >>> *Проверьте наличие электропитания. Проверьте предохранители в блоке предохранителей. При необходимости замените или включите предохранители.*

(В моделях с таймером) Цифровой индикатор времени мигает, или светится символ часов.

- Ранее произошло отключение электроэнергии. >>> *Установите время / Выключите духовой шкаф и включите снова.*



Если вы не можете устранить неполадки, несмотря на выполнение инструкций, приведенных в данном разделе, обратитесь к представителю авторизованной сервисной службы. Не пытайтесь самостоятельно отремонтировать неисправный электроприбор.

Изготовитель: «Arcelik A.S.»
Юридический адрес: Караач Джаддеси № 2-6 34445 Сютлюдже Стамбул, Турция
(Karaağaç Caddesi No:2-6 Sütlüce, 34445, Turkey)

Произведено в Турции

Импортер на территории РФ: ООО «БЕКО»
Юридический адрес: 601010, Владимирская область, Киржачский район, завод «БЕКО»
Информацию о сертификации продукта Вы можете уточнить, позвонив на горячую линию
8-800-200-23-56.

Дата производства включена в серийный номер продукта, указанный на этикетке, расположенной на продукте, а именно: первые две цифры серийного номера обозначают год производства, а последние две – месяц. Например, "10-100001-05" обозначает, что продукт произведен в мае 2010 года.

