

BEKO



DS 325000
DS 325000 S

GB

Instruction for use

RUS

Инструкция по эксплуатации

УКР

Інструкція з експлуатації

ҚҚ

Пайдалану нұсқаулығы





WARNING!

In order to ensure a normal operation of your refrigerating appliance, which uses a completely environmentally friendly refrigerant the R600a (flammable only under certain conditions) you must observe the following rules:

- ♦ Do not hinder the free circulation of the air around the appliance.
- ♦ Do not use mechanic devices in order to accelerate the defrosting, others than the ones recommended by the manufacturer.
- ♦ Do not destroy the refrigerating circuit.
- ♦ Do not use electric appliances inside the food cheeping compartment, others than those that might have been recommended by the manufacturer.

ВНИМАНИЕ

Для того, чтобы обеспечить нормальную работу Вашего холодильника в котором используется охлаждающий реагент R600a, совершенно безвредный для окружающей среды (воспламеняющийся только в определенных условиях), Вам следует соблюдать следующие правила.

- ♦ Не создавайте препятствий для свободной циркуляции воздуха вокруг холодильника.
- ♦ Не пользуйтесь никакими механическими приспособлениями и инструментами для удаления льда при размораживании холодильника, кроме тех, которые рекомендованы изготовителем.
- ♦ Не допускайте повреждения охлаждающего контура.
- ♦ Не устанавливайте внутрь холодильного отделения, где хранятся продукты, никакие электрические устройства, кроме тех, которые рекомендованы изготовителем.

УВАГА!

Для того, щоб забезпечити нормальну роботу Вашого холодильника, в якому використовується охолоджуючий реагент R600a, абсолютно нешкідливий для навколишнього середовища (займається лише за певних умов), Вам необхідно дотримуватися наступних правил..

- ♦ Не створюйте перепон для вільної циркуляції повітря навколо холодильника.
- ♦ Не користуйтеся жодними механічними пристроями та інструментами для видалення льоду під час розморожування холодильника, окрім тих, що рекомендовані виробником.
- ♦ Не допускайте пошкодження охолоджуючого контура.
- ♦ Не встановлюйте всередину холодильного відділення, де зберігаються продукти, жодних електричних пристроїв, окрім тих, що рекомендовані виробником.

ЕСКЕРТУ!

Қоршаған орта үшін толығымен зиянсыз R600a тоңазыту затын (белгілі бір жағдайларда ғана тұтанады) пайдаланатын тоңазыту аппаратының қалыпты жұмысын қамтамасыз ету үшін келесі ережелерді сақтау керек:

- ♦ Аппарат айналасында ауаның еркін айналымына кедергі жасамаңыз.
- ♦ Еріту процесін тездету үшін өндіруші ұсынғаннан басқа механикалық құрылғыларды пайдаланбаңыз.
- ♦ Тоңазыту тізбегін бұзбаңыз.
- ♦ Тамақ бөлімінде өндіруші ұсынғаннан басқа электр аппараттарды пайдаланбаңыз.

GB Index

Safety first /1
Electrical requirements /2
Transportation instructions /2
Installation instructions /2
Getting to know your appliance /3
Suggested arrangement of food in the appliance /3
Temperature control and adjustment /4
Before operating /4
Storing frozen food /4
Freezing fresh food /4
Making ice cubes /5
Defrosting /5
Replacing the interior light bulb /6
Cleaning and care /6
Repositioning the door /6
Do's and don'ts /7
Trouble – shooting /8
Technical data /8

УКР Зміст

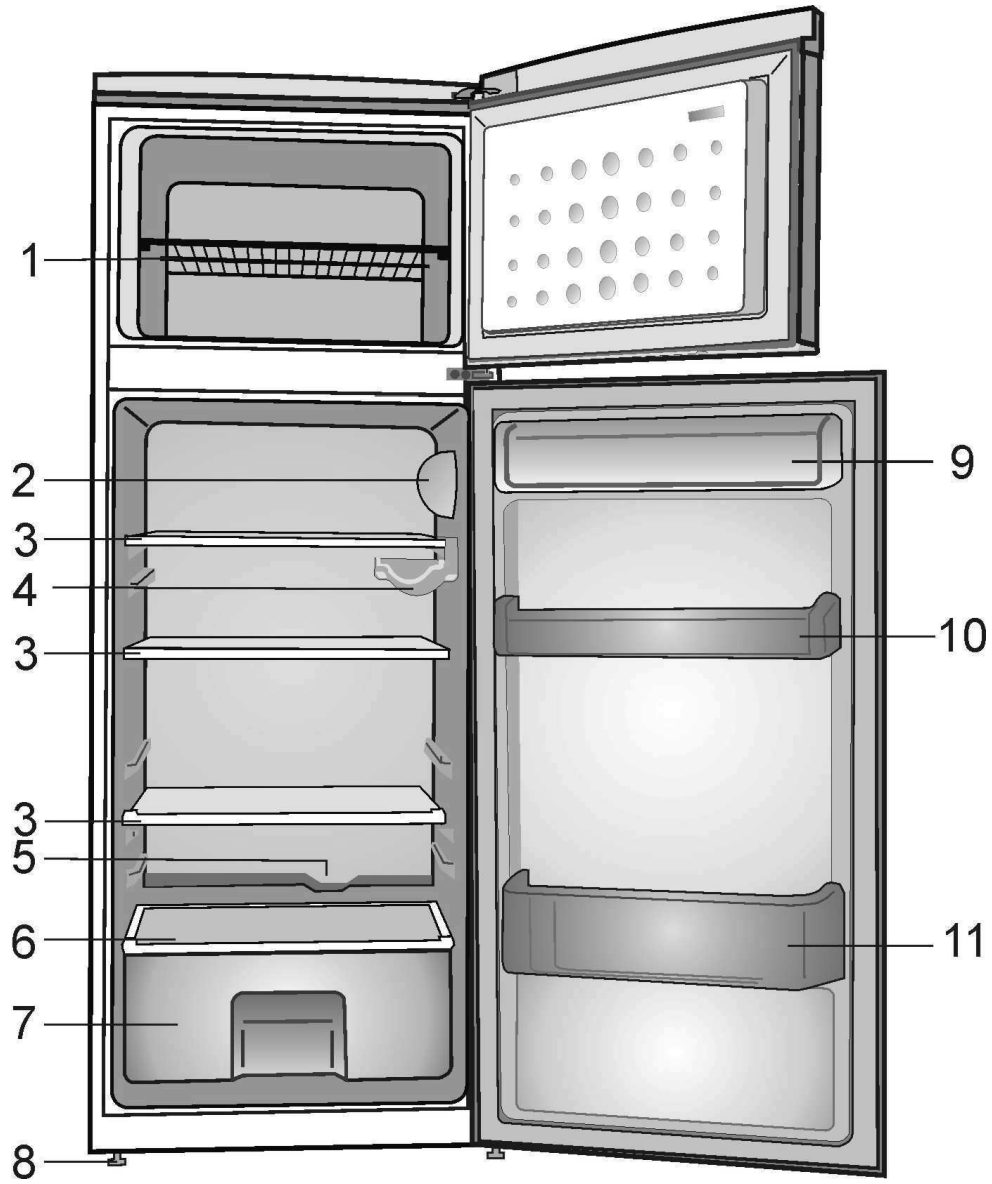
Безпека перш за все! /21
Вимоги до електропостачання /21
Інструкція з транспортування /21
Інструкція зі встановлення /21
Загальні відомості про холодильник /22
Рекомендований спосіб розміщення продуктів у
холодильнику /22
Регулювання температури /23
Перед початком роботи /23
Зберігання заморожених продуктів /23
Заморожування свіжих продуктів /23
Заморожування льоду /24
Розморожування /25
Заміна лампочки всередині холодильника /25
Чищення холодильника і догляд за ним /25
Перенавішування дверцят /25
Що слід і чого не можна робити /26
Усунення несправностей /26
Технічні характеристики /26

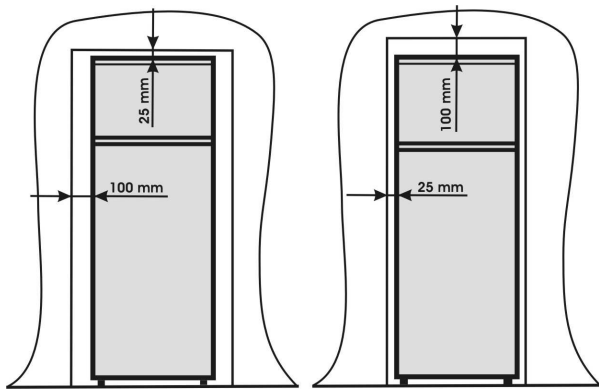
RUS Содержание

Безопасность прежде всего /9
Требования к электропитанию /10
Инструкция по транспортировке /10
Инструкция по установке /10
Общие сведения о холодильнике /11
Рекомендуемый способ размещения продуктов
в холодильнике /11
Регулировка температуры /11-12
Перед началом работы /12
Хранение замороженных продуктов /12
Замораживание свежих продуктов /12
Замораживание льда /13
Размораживание /13
Замена лампочки внутри холодильника /14
Чистка холодильника и уход за ним /14
Перевешивание двери /14
Что следует и чего нельзя делать /15
Устранение неисправностей /16
Технические характеристики /16

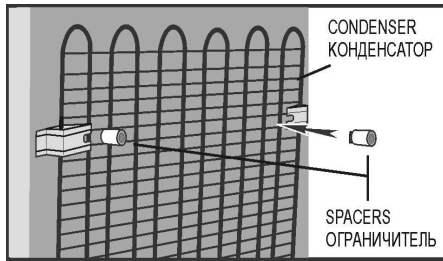
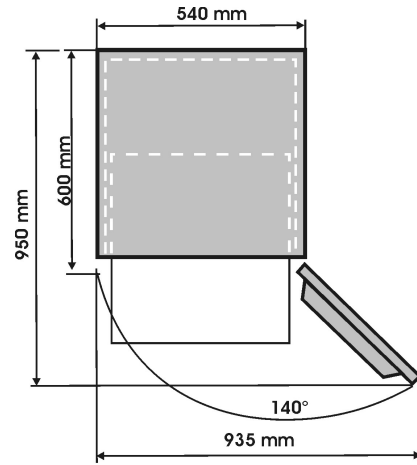
ҚҚ Индекс

Ең алдымен қауіпсіздік /34
Электр талаптары /35
Тасымалдау туралы нұсқаулар /35
Орнату туралы нұсқаулар /35
Аппаратпен танысу /36
Аппараттағы тамақты ұсынылған орналастыру /36
Температураны басқару және реттеу /37
Пайдалану алдында /37
Мұздатылған тамақты сақтау /37
Балғын тамақты мұздату /37
Мұз текшелерін жасау /37
Еріту /38
Ішкі жарық шамын ауыстыру /38
Тазарту және күтім жасау /38
Есікті қайта орналастыру /39
Істеуге болатын және болмайтын нәрселер /39
Information about operating noises /40
Ақаулықтарды жою /41
Техникалық деректер /41

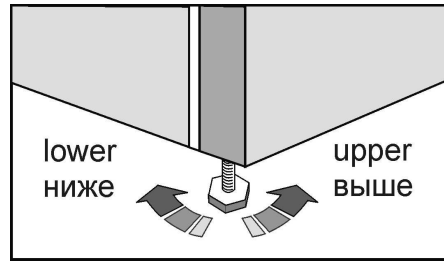




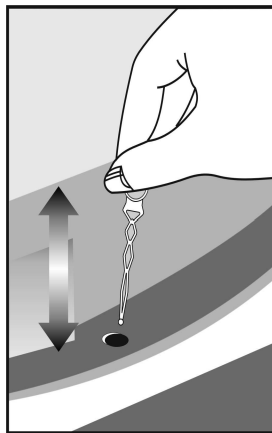
2



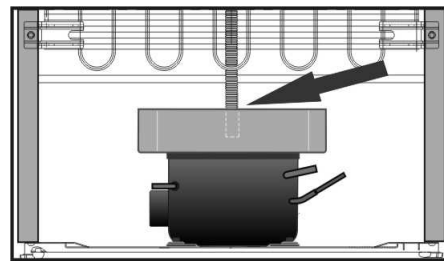
3



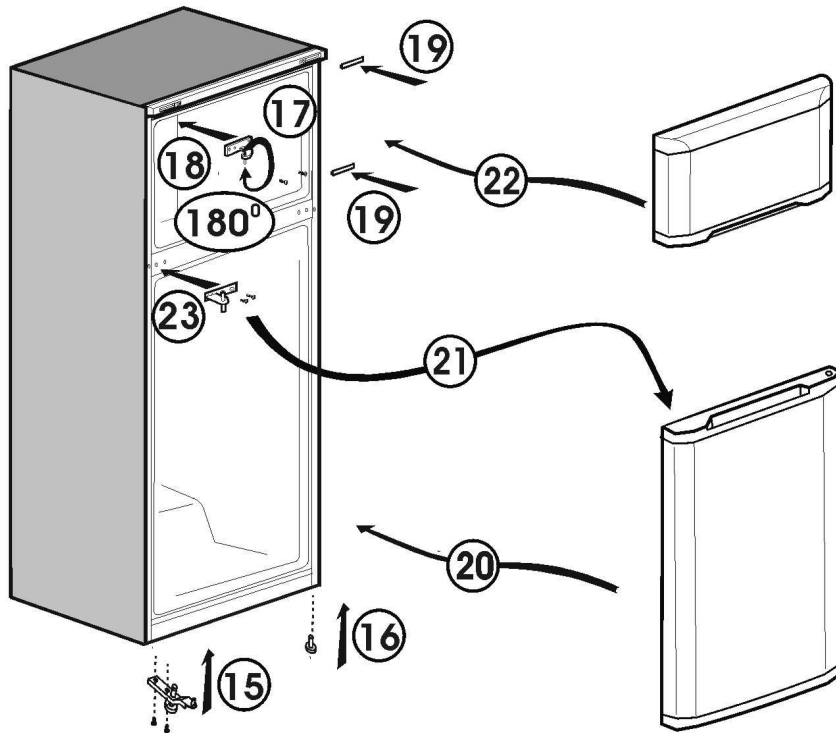
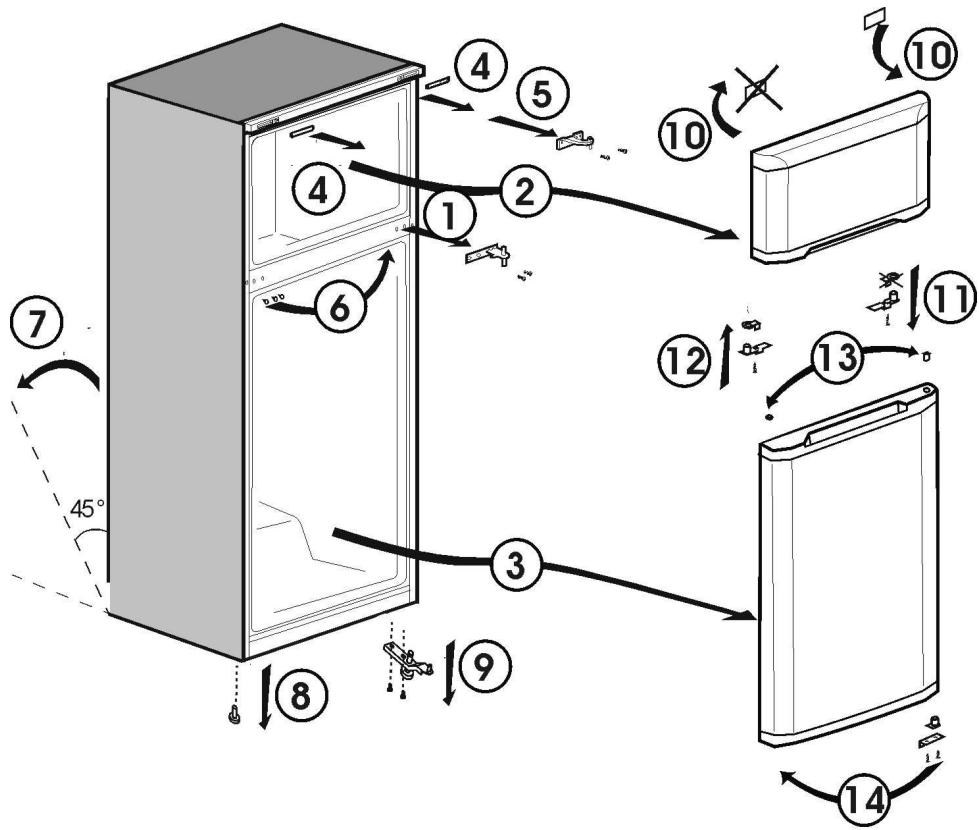
4



5



6



Congratulations on your choice of a **BEKO** Quality Appliance, designed to give you many years of service.

Safety first!

Do not connect your appliance to the electricity supply until all packing and transit protectors have been removed.

- Leave to stand for at least 4 hours before switching on, to allow compressor oil to settle, if transported horizontally.
- If you are discarding an old appliance with a lock or latch fitted to the door, ensure that it is left in a safe condition to prevent the entrapment of children.
- This appliance must only be used for its intended purpose.
- Do not dispose of the appliance on a fire. Your appliance contains non CFC substances in the insulation which are flammable. We suggest you contact your local authority for information on disposal and available facilities.
- We do not recommend use of this appliance in an unheated, cold room. (e.g. garage, conservatory, annex, shed, out-house etc.)

To obtain the best possible performance and trouble free operation from your appliance it is very important to read these instructions carefully. Failure to observe these instructions may invalidate your right to free service during the guarantee period.

Please keep these instructions in a safe place for easy reference.

This appliance is not intended for use by person with reduced physical, sensory or mental capabilities or lack of experience and knowledge unless they have been given supervision or instruction concerning use of the appliance by a person responsible for their safety.

Children should be supervised to ensure that they do not play with the appliance.

Electrical requirements

Before inserting the plug into the wall socket make sure that the voltage and the frequency shown in the rating plate inside the appliance corresponds to your electricity supply. We recommend that this appliance is connected to the mains supply via a suitably switched and fused socket in a readily accessible position.

Warning! This appliance must be earthed.

Repairs to electrical equipment should only be performed by a qualified technician. Incorrect repairs carried out by an unqualified person are carry risks that may have critical consequences for the user of the appliance.

ATTENTION!

This appliance operates with R 600a which is an environmental friendly but flammable gas. During the transportation and fixing of the product, care must be taken not to damage the cooling system. If the cooling system is damaged and there is a gas leakage from the system, keep the product away from open flame sources and ventilate the room for a while.

WARNING - Do not use mechanical devices or other means to accelerate the defrosting process, others than those recommended by the manufacturer.

WARNING - Do not damage the refrigerant circuit.

WARNING - Do not use electrical appliances inside the food storage compartments of the appliance, unless they are of the type recommended by the manufacturer.

Transportation instructions

1. The appliance should be transported only in an upright position. The packing as supplied must be intact during transportation.
2. If during the transport the appliance, has been positioned horizontally, it must not be operated for at least 4 hours, to allow the system to settle.
3. Failure to comply with the above instructions could result in damage to the appliance, for which the manufacturer will not be held liable.

4. The appliance must be protected against rain, moisture and other atmospheric influences.

Important!

- Care must be taken while cleaning/carrying the appliance not to touch the bottom of the condenser metal wires at the back of the appliance, as this could cause injury to finger and hands.
- Do not attempt to sit or stand on top of your appliance as it is not designed for such use. You could injure yourself or damage the appliance.
- Make sure that the mains cable is not caught under the appliance during and after moving, as this could damage the cable.
- Do not allow children to play with the appliance or tamper with the controls.

Installation instructions

- Never switch on rigeratoron in the network with no or not exactly set the tray to collect water at the compressor (see Fig. 7), in order to avoid direct contact with the electrical parts the compressor.

1. Do not keep your appliance in a room where the temperature is likely to fall below 10 degrees C (50 degrees F) at night and/or especially in winter, as it is designed to operate in ambient temperatures between +10 and +32 degrees C (50 and 90 degrees F). At lower temperatures the appliance may not operate, resulting in a reduction in the storage life of the food.

2. Do not place the appliance near cookers or radiators or in direct sunlight, as this will cause extra strain on the appliance's functions. If installed next to a source of heat or freezer, maintain the following minimum side clearances:

From Cookers 30 mm

From Radiators 300 mm

From Freezers 25 mm

3. Make sure that sufficient room is provided around the appliance to ensure free air circulation (**Item 2**).

- ï Put the back airing lid to the back of your refrigerator to set the distance between the refrigerator and the wall (**Item 3**).



4. The appliance should be positioned on a smooth surface. The two front feet can be adjusted as required. To ensure that your appliance is standing upright adjust the two front feet by turning clockwise or anti-clockwise, until firm contact is secured with the floor. Correct adjustment of feet prevents excessive vibration and noise **(Item 4)**.
5. Refer to "Cleaning and Care" section to prepare your appliance for use.

Getting to know your appliance (Item 1)

- 1 - Freezer shelf
- 2 - Thermostat and lamp housing
- 3 - Adjustable Cabinet shelves
- 4 - Wine bottles support
- 5 - Defrost water collection channel - Drain tube
- 6 - Crisper cover
- 7 - Crisper
- 8 - Adjustable front feet
- 9 - Dairy Compartment
- 10 - Jars shelf
- 11 - Bottle shelf

Suggested arrangement of food in the appliance

Guidelines for obtaining optimum storage and hygiene:

1. The fridge compartment is for the short-term storage of fresh food and drinks.
2. The freezer compartment is  rated and suitable for the freezing and storage of pre-frozen food. The recommendation for  storage as stated on the food packaging should be observed at all times.
3. Dairy products should be stored in the special compartment provided in the door liner.
4. Cooked dishes should be stored in airtight containers.

5. Fresh wrapped produce can be kept on the shelf. Fresh fruit and vegetables should be cleaned and stored in the crispers.

6. Bottles can be kept in the door section.

7. To store raw meat, wrap in polythene bags and place on the lowest shelf. Do not allow to come into contact with cooked food, to avoid contamination. For safety, only store raw meat for two to three days.

8. For maximum efficiency, the removable shelves should not be covered with paper or other materials to allow free circulation of cool air.

9. Do not keep vegetable oil on door shelves. Keep the food packed, wrapped or covered. Allow hot food and beverages to cool before refrigerating. Leftover canned food should not be stored in the can.

10. Fizzy drinks should not be frozen and products such as flavoured water ices should not be consumed too cold.

11. Some fruit and vegetables suffer damage if kept at temperatures near 0°C. Therefore wrap pineapples, melons, cucumbers, tomatoes and similar produce in polythene bags.

12. High-proof alcohol must be stored upright in tightly closed containers. Never store products that contain an inflammable propellant gas (e.g. cream dispensers, spray cans, etc.) or explosive substances. These are an explosion hazard.

Temperature control and adjustment

Operating temperatures are controlled by the thermostat knob and may be set at any position between 1 and 5 (the coldest position).

If the thermostat knob is in position "0" the appliance is off. In this case neither the lamp for inside lighting will light.

The average temperature inside the fridge should be around +5 C° (+41 F°).

Therefore adjust the thermostat to obtain the desired temperature. Some sections of the fridge may be cooler or warmer (such as salad crisper and top part of the cabinet) which is quite normal. We recommend that you check the temperature periodically with a thermometer to ensure that the cabinet is kept to this temperature. Frequent door openings cause internal temperatures to rise, so it is advisable to close the door as soon as possible after use.

Before operating

Final Check

Before you start using the appliance check that:

1. The feet have been adjusted for perfect levelling.
2. The interior is dry and air can circulate freely at the rear.
3. The interior is clean as recommended under "Cleaning and care."
4. The plug has been inserted into the wall socket and the electricity is switched on. When the door is open the interior light will come on.

And note that:

5. You will hear a noise as the compressor starts up. The liquid and gases sealed within the refrigeration system may also make some (noise), whether the compressor is running or not. This is quite normal.
6. Slight undulation of the top of the cabinet is quite normal due to the manufacturing process used; it is not a defect.

7. We recommend setting the thermostat knob midway and monitor the temperature to ensure the appliance maintains desired storage temperatures (See section Temperature Control and Adjustment).

8. Do not load the appliance immediately it is switched on. Wait until the correct storage temperature has been reached. We recommend checking the temperature with an accurate thermometer (see; Temperature Control and Adjustment).

Storing frozen food

Your freezer is suitable for the long-term storage of commercially frozen foods and also can be used to freeze and store fresh food. If there is a power failure, do not open the door. Frozen food should not be affected if the failure lasts for less than 12 hrs. If the failure is longer, then the food should be checked and either eaten immediately or cooked and then re-frozen.

Freezing fresh food

Please observe the following instructions to obtain the best results.

Do not freeze too large a quantity at any one time. The quality of the food is best preserved when it is frozen right through to the core as quickly as possible.

Do not exceed the freezing capacity of your appliance in 24 h.

Placing warm food into the freezer compartment causes the refrigeration machine to operate continuously until the food is frozen solid. This can temporarily lead to excessive cooling of the refrigeration compartment.

When freezing fresh food, keep the thermostat knob at medium position. Small quantities of food up to 1/2 kg. (1 lb) can be frozen without adjusting the temperature control knob.

Take special care not to mix already frozen food and fresh food.

Making ice cubes

Fill the ice - cube tray 3/4 full with water and place it in the freezer. Loosen frozen trays with a spoon handle or a similar implement; never use sharp-edged objects such as knives or forks.

Defrosting

A) Fridge compartment

The fridge compartment defrosts automatically. The defrost water runs to the drain tube via a collection container at the back of the appliance **(Item 5)**.

During defrosting, water droplets may form at the back of the fridge compartment where a concealed evaporator is located. Some droplets may remain on the liner and refreeze when defrosting is completed. Do not use pointed or sharp-edged objects such as knives or forks to remove the droplets which have refrozen.

If, at any time, the defrost water does not drain from the collection channel, check that no food particles have blocked the drain tube. The drain tube can be cleared with a pipe-cleaner or similar implement.

Check that the tube is permanently placed with its end in the collecting tray on the compressor to prevent the water spilling on the electric installation or on the floor **(Item 6)**.

B) Freezer compartment

Defrosting is very straightforward and without mess, thanks to a special defrost collection basin.

Defrost twice a year or when a frost layer of around 7 (1/4") mm has formed. To start the defrosting procedure, switch off the appliance at the socket outlet and pull out the mains plug.

All food should be wrapped in several layers of newspaper and stored in a cool place (e.g. fridge or larder).

Containers of warm water may be placed carefully in the freezer to speed up the defrosting.

Do not use pointed or sharp-edged objects, such as knives or forks to remove the frost. Never use hairdryers, electrical heaters or other such electrical appliances for defrosting. Sponge out the defrost water collected in the bottom of the freezer compartment. After defrosting, dry the interior thoroughly. Insert the plug into the wall socket and switch on the electricity supply.

Replacing the interior light bulb

Should the light fail, switch off at the socket outlet and pull out the mains plug. Then ensure the bulb is screwed securely in the bulb holder. Replace the plug and switch on.

If the light still fails, obtain a replacement E14 screw-cap type 15 Watt (Max) bulb from your local electrical store and then fit it. Carefully dispose of the burnt-out light bulb immediately.

Cleaning and care

1. We recommend that you switch off the appliance at the socket outlet and pull out the mains plug before cleaning.
2. Never use any sharp instruments or abrasive substances, soap, household cleaner, detergent or wax polish for cleaning.
3. Use luke warm water to clean the cabinet of the appliance and wipe it dry.
4. Use a damp cloth wrung out in a solution of one teaspoon of bicarbonate of soda to one pint of water to clean the interior and wipe it dry.
5. Make sure that no water enters the temperature control box.
6. If the appliance is not going to be used for a long period of time, switch it off, remove all food, clean it and leave the door ajar.
7. We recommend that you polish the metal parts of the product (i.e. door exterior, cabinet sides) with a silicone wax (car polish) to protect the high quality paint finish.
8. Any dust that gathers on the condenser, which is located at the back of the appliance, should be removed once a year with a vacuum cleaner.
9. Check door seals regularly to ensure they are clean and free from food particles.

10. Never:
 - Clean the appliance with unsuitable material; eg petroleum based products.
 - Subject it to high temperatures in any way,
 - Scour, rub etc., with abrasive material.
11. Removal of dairy cover and door tray :
 - To remove the dairy cover, first lift the cover up by about an inch and pull it off from the side where there is an opening on the cover.
 - To remove a door tray, remove all the contents and then simply push the door tray upwards from the base.
12. Make sure that the special plastic container at the back of the appliance which collects defrost water is clean at all times. If you want to remove the tray to clean it, follow the instructions below:
 - Switch off at the socket outlet and pull out the mains plug
 - Gently uncrimp the stud on the compressor, using a pair of pliers, so that the tray can be removed
 - Lift it up.
 - Clean and wipe it dry
 - Reassemble, reversing the sequence and operations
13. Large accumulation of ice will impair the performance of the appliance.
14. If oil or oily liquid is poured to the inside of the refrigerator please clean the plastic parts and the inner liner properly according to instructions given above.

Repositioning the door

Proceed in numerical order **(Item 7)**.

Doís and doníts

- Do-** Clean and defrost your appliance regularly (See "Defrosting")
- Do-** Keep raw meat and poultry below cooked food and dairy products.
- Do-** Take off any unusable leaves on vegetables and wipe off any soil.
- Do-** Leave lettuce, cabbage, parsley and cauliflower on the stem.
- Do-** Wrap cheese firstly in greaseproof paper and then in a polythene bag, excluding as much air as possible. For best results, take out of the fridge compartment an hour before eating.
- Do-** Wrap raw meat and poultry loosely in polythene or aluminium foil. This prevents drying.
- Do-** Wrap fish and offal in polythene bags.
- Do-** Wrap food with a strong odour or which may dry out, in polythene bags, or aluminium foil or place in airtight container.
- Do-** Wrap bread well to keep it fresh.
- Do-** Chill white wines, beer, lager and mineral water before serving.
- Do-** Check contents of the freezer every so often.
- Do-** Keep food for as short a time as possible and adhere to "Best Before" and "Use by" etc. dates.
- Do-** Store commercially frozen food in accordance with the instructions given on the packets.
- Do-** Always choose high quality fresh food and be sure it is thoroughly clean before you freeze it.
- Do-** Prepare fresh food for freezing in small portions to ensure rapid freezing.
- Do-** Wrap all food in aluminium foil or freezer quality polythene bags and make sure any air is excluded.
- Do-** Wrap frozen food immediately after purchasing and put it in to the freezer as soon as possible.
- Do-** Defrost food in the fridge compartment.
- Don t-** Store bananas in your fridge compartment.
- Don t-** Store melon in your fridge. It can be chilled for short periods as long as it is wrapped to prevent it flavouring other food.
- Don t-** Cover the shelves with any protective materials which may obstruct air circulation.
- Don t-** Store poisonous or any dangerous substances in your appliance. It has been designed for the storage of edible foodstuffs only.
- Don t-** Consume food which has been refrigerated for an excessive length of time.
- Don t-** Store cooked and fresh food together in the same container. They should be packaged and stored separately.
- Don t-** Let defrosting food or food juices drip onto food.
- Don t-** Leave the door open for long periods, as this will make the appliance more costly to run and cause excessive ice formation.
- Don t-** Use sharp edged objects such as knives or forks to remove the ice.
- Don t-** Put hot food into the appliance. Let it cool down first.
- Don t-** Put liquid-filled bottles or sealed cans containing carbonated liquids into the freezer, as they may burst.
- Don t-** Exceed the maximum freezing loads when freezing fresh food.
- Don t-** Give children ice-cream and water ices direct from the freezer. The low temperature may cause 'freezer burns' on lips.
- Don t-** Freeze fizzy drinks.
- Don t-** Try to keep frozen food which has thawed; it should be eaten within 24 hours or cooked and refrozen.
- Don t-** Remove items from the freezer with wet hands.

Trouble - shooting

If the appliance does not operate when switched on, check;

- That the plug is inserted properly in the socket and that the power supply is on. (To check the power supply to the socket, plug in another appliance).
- Whether the fuse has blown/circuit breaker has tripped/main distribution switch has been turned off.

- That the temperature control has been set correctly.
- That the new plug is wired correctly, if you have changed the fitted, moulded plug.

If the appliance is still not operating at all after above checks, contact the dealer from whom you purchased the unit.


Please ensure that above checks have been done, as a charge will be made if no fault is found.

Technical data

Energy declaration is shown on the product

Brand	BEKO
Appliance type	FRIDGE - FREEZER
Total gross volume (l.)	233
Total usable volume (l.)	228
Freezer usable volume (l.)	49
Refrigerator useful volume	179
Freezing capacity (kg/24 h)	4
Energy class (1)	A
Power consumption (kWh/year) (2)	288
Autonomy (h)	12
Noise [dB(A) re 1 pW]	41
Ecological refrigerating agent R600a	
(1) Energy class : A++ . . . G (A++= economical . . . G = less economical)	
(2) The real power consumption depends on using conditions and appliance location.	



The symbol  on the product or on packaging indicates that this product may not be treated as household waste. Instead it shall be handed over to the applicable collection point for the recycling of electrical and electronic equipment. By ensuring this product is disposed of correctly, you will help prevent potential negative consequences for the environment and human health, which could otherwise be caused by inappropriate waste handling of this product. For more detailed information about recycling of this product, please contact your local city office, your household waste disposal service or the shop where you purchased the product.

Поздравляем Вас с покупкой высококачественного холодильника **BEKO**, который будет служить Вам долгое время.

Безопасность прежде всего!

Не включайте холодильник в электросеть до тех пор, пока не удалите всю упаковку и транспортировочные крепления.

- Если Вы перевозили холодильник в горизонтальном положении, не включайте его после распаковки по крайней мере 4 часа для того, чтобы все системы пришли в норму.
- Если Вы выбрасываете старый холодильник, и у него на двери есть замок или задвижка, убедитесь, что они в исправном состоянии, чтобы дети, играя, случайно не оказались в нем запертыми.
- Холодильник должен использоваться только по назначению.
- Избавляясь от старого холодильника, не пытайтесь его сжечь. В теплоизоляции холодильника используются горючие материалы. Мы советуем Вам связаться с местными органами власти для получения информации относительно того, куда можно выбросить старый холодильник.
- Мы не рекомендуем пользоваться холодильником в неотапливаемом, холодном месте (например, в гараже, на складе, в пристройке, под навесом, в надворной постройке и т.п.).

Чтобы обеспечить максимально эффективную и бесперебойную работу холодильника, очень важно внимательно прочесть эту инструкцию. Поломка холодильника в результате несоблюдения наших рекомендаций может лишить Вас права на бесплатное обслуживание в течение гарантийного периода.

Пожалуйста, храните эту инструкцию в надежном месте, чтобы ее легко можно было найти в случае необходимости.

Устройство не предназначено для использования людьми со сниженными физическими или умственными способностями, а также нарушениями чувствительности. Люди, не имеющие опыта обращения с данным устройством, могут использовать его только под наблюдением опытных лиц, ответственных за безопасность.

Использование устройства детьми также должно происходить под контролем взрослых.

“Уважаемый Покупатель,

Благодарим Вас за выбор продукта БЕКО, произведенного на современном предприятии, соответствующем международным стандартам ИСО 9001 и ИСО 14001, из высококачественных и экологически чистых материалов.

При соблюдении условий эксплуатации и утилизации наш продукт является экологически безопасным.»



Требования к электропитанию

Перед тем, как вставить штепсель в электрическую розетку убедитесь, что напряжение и частота тока, указанные на заводской марке внутри холодильника, соответствуют напряжению и частоте тока в электросети вашего дома.

Мы рекомендуем подключать холодильник к электросети через розетку, должным образом установленную в легко доступном месте.

Внимание! Холодильник должен быть заземлен

Ремонт электрического оборудования должен выполняться только квалифицированным специалистом. Неправильный ремонт, выполненный неквалифицированным человеком, сопряжен с риском, и холодильник может стать опасным в эксплуатации.

ВНИМАНИЕ!

В системе охлаждения холодильника циркулирует газ R600a, который не оказывает вредного воздействия на окружающую среду, но легко воспламеняется. Во время транспортировки и установки холодильника старайтесь не повредить систему охлаждения. Если все же повреждение произошло и имеет место утечка газа из системы охлаждения, следите за тем, чтобы рядом с холодильником не было источника открытого огня, и хорошенько проветрите помещение.

ВНИМАНИЕ ñ Не пользуйтесь никакими механическими приспособлениями, кроме тех, что рекомендуются в настоящей инструкции, для ускорения размораживания холодильника и очистки морозильной камеры от льда.

ВНИМАНИЕ ñ Не допускайте повреждения системы охлаждения.

ВНИМАНИЕ ñ Не устанавливайте внутри холодильника электрические приспособления кроме тех, которые рекомендованы изготовителем холодильника.

Инструкция по транспортировке

1. Холодильник должен транспортироваться только в вертикальном положении. Заводская упаковка при транспортировке не должна быть повреждена.

2. Если во время транспортировки холодильник был помещен горизонтально, им не

следует пользоваться по крайней мере 4 часа для того, чтобы все его системы пришли в норму.

3. Изготовитель не несет ответственности за повреждение холодильника, если нарушаются вышеупомянутые рекомендации.

4. Холодильник должен быть защищен от дождя, влажности и других атмосферных воздействий.

Важное замечание!

- Следует соблюдать осторожность при чистке или перемещении холодильника и не касаться металлических частей конденсатора в задней части холодильника, поскольку в результате можно повредить пальцы и руки.
- Не садитесь и не вставайте на холодильник. Он для этого не предназначен. Вы можете получить травму или повредить холодильник.
- Убедитесь, что электрический провод не попал под холодильник во время и после перемещения холодильника, иначе его можно повредить.
- Не позволяйте детям играть с холодильником или баловаться с ручками и кнопками управления.

Инструкция по установке

- Запрещается включать холодильник в сеть при отсутствии или не ровно установленном лотке для сбора воды на компрессоре (см. рис. 7), во избежание попадания воды на электрические части компрессора

1. Не ставьте холодильник в помещение, в котором температура может опускаться ниже 10 °С ночью или, в особенности, зимой, поскольку холодильник рассчитан на работу при температуре окружающей среды в пределах от +10 до +32 °С. При более низкой температуре холодильник может не работать, и срок хранения продуктов в нем должен быть сокращен.

2. Не устанавливайте холодильник вблизи кухонных плит или радиаторов отопления или в прямом солнечном свете, поскольку это вызовет дополнительную нагрузку на агрегаты холодильника. Если Вы вынуждены устанавливать холодильник рядом с источником тепла или морозильником, обеспечьте следующее минимальное расстояние:

от кухонных плит 30 мм

от радиаторов отопления 300 мм

от морозильников 25 мм

3. Постарайтесь, чтобы вокруг холодильника было достаточно свободного места, и воздух циркулировал свободно (см. рис. 2).

- Установите вентиляционную крышку на задней стороне холодильника для того, чтобы обеспечить необходимое расстояние между холодильником и стеной (см. рис. 3).

4. Холодильник должен стоять на гладкой поверхности. Две передние ножки должны быть соответствующим образом отрегулированы. Чтобы добиться строго вертикального положения холодильника, отрегулируйте ножки, вращая их по часовой или против часовой стрелки, пока они не будут устойчиво стоять на полу. Правильная регулировка ножек холодильника предотвращает чрезмерную вибрацию и шум (см. рис. 4).

5. Обратитесь к разделу “Чистка холодильника и уход за ним”, чтобы подготовить холодильник к эксплуатации.

Общие сведения о холодильнике (Рис. 1)

1. Полка морозильной камеры
2. Коробка термостата и лампочки внутреннего освещения
3. Съёмные полки
4. Дренажная трубка для сбора талой воды
5. Крышка ящика для овощей
6. Ящик для овощей
7. Регулируемые ножки
8. Отделение для молочных продуктов
9. Полка для банок
10. Полки для бутылок

Рекомендуемый способ размещения продуктов в холодильнике

Рекомендации по оптимальному хранению и соблюдению санитарных норм:

1. Холодильное отделение предназначено для непродолжительного хранения свежих продуктов и напитков.
2. Морозильная камера имеет замораживающую способность в три звездочки и предназначена для хранения

3. Молочные продукты должны храниться в специальном отделении на внутренней стороне двери.

4. Приготовленные блюда должны храниться в плотно закрытой посуде.

5. Свежие продукты в упаковке можно хранить на полке. Свежие фрукты и овощи должны быть чистыми и храниться в ящике для овощей.

6. Бутылки можно хранить в специальном отделении на двери.

7. Сырое мясо храните в полиэтиленовых пакетах и на самой низкой полке. Не допускайте контакта сырого мяса с готовыми блюдами, чтобы избежать заражения. В целях безопасности храните сырое мясо только два-три дня.

8. Для максимально эффективной работы холодильника, съёмные полки не должны быть накрыты бумагой или другими материалами, препятствующими свободной циркуляции холодного воздуха.

9. Не держите растительное масло на полках с внутренней стороны двери. Храните продукты, упакованными, завернутыми или под крышкой. Охладите горячие продукты и напитки прежде, чем ставить их в холодильник. Открытые консервы не должны храниться в консервных банках.

10. Нельзя замораживать газированные напитки, а лед из ароматизированной воды не следует употреблять слишком холодным.

11. Некоторые фрукты и овощи портятся от температуры, близкой к 0° С. Поэтому держите ананасы, дыню, огурцы, помидоры и другие подобные продукты в полиэтиленовых пакетах.

12. Крепкие спиртные напитки должны храниться в вертикальных, плотно закрытых сосудах. Никогда не храните в холодильнике продукты, содержащие легко воспламеняющийся газ (например, сливки с распылителем, консервы в аэрозольной упаковке и т.п.) или взрывчатые вещества. Это может быть опасно.

Регулировка температуры

Управление температурой осуществляется при помощи ручки-регулятора (рис. 5), находящейся внутри холодильного отделения. Может быть задано значение от min 1 до max 6, где max – положение самой холодной температуры

При первом включении холодильника мы рекомендуем установить ручку регулировки в среднее положение, между минимальным и максимальным значением, и контролировать достижение желаемой температуры, т. е. по направлению к max (максимум) температура в холодильнике будет более холодной, и наоборот. Температура в некоторых отделениях холодильника может быть выше или ниже (например, в отделении для фруктов и овощей или в верхней части корпуса), что вполне нормально.

Нормальная температура хранения продуктов в морозильной камере должна составлять -18°C . Для настройки более низкой температуры ручку-регулятор необходимо поворачивать в направлении положения max (максимально низкой температуры).

Мы советуем проверять температуру при помощи точного термометра, чтобы убедиться, что в отделениях для хранения продуктов она соответствует нужному значению.

Помните, что снимать показания термометра необходимо очень быстро, так как его температура после извлечения из морозильного отделения будет стремительно меняться.

Помните, что каждое открытие дверцы приводит к потере холодного воздуха и, следовательно, к повышению внутренней температуры. Поэтому никогда не оставляйте дверцу открытой и следите за тем, чтобы она была плотно закрыта сразу после помещения продуктов в холодильник или их извлечения из него.

Перед началом работы

Последняя проверка

Перед началом эксплуатации холодильника проверьте следующее:

1. Передние ножки должны быть отрегулированы так, чтобы обеспечивать устойчивое положение холодильника.
2. Внутри холодильника должно быть сухо, и воздух за ним должен циркулировать свободно.
3. Холодильник внутри должен быть чисто вымыт, как рекомендуется в разделе "Чистка холодильника и уход за ним".

4. Штепсель должен быть вставлен в розетку и электричество включено. Когда открывается дверца холодильного отделения, должна загораться лампочка внутреннего освещения

И обратите внимание на то, что:

5. Вы будете слышать шум при включении компрессора. Жидкость и газ внутри системы охлаждения также могут создавать некоторый шум, независимо от того, работает компрессор или нет. Это вполне нормально.
6. Верхняя часть будет слегка вибрировать. Это нормально и не является дефектом.
7. Мы советуем установить термостат в среднее положение и некоторое время следить за температурой, чтобы убедиться, что холодильник поддерживает нужную температуру хранения (см. раздел "Регулировка температуры").
8. Не загружайте холодильник сразу же после включения. Подождите пока внутри не установится нужная температура. Мы советуем проверять температуру точным термометром (см. раздел "Регулировка температуры").

Хранение замороженных продуктов

Холодильник рассчитан на длительное хранение пищевых продуктов, замороженных промышленным способом, а также может Рекомендации по хранению свежих продуктов, замороженных в домашних условиях, указаны на внутренней стороне двери.

В случае перебоев с электропитанием, не открывайте дверь холодильника. Замороженные продукты не пострадают, если электропитание прервано менее чем на 12 часов. Если электричества нет более длительное время, то следует проверить хранимые продукты и немедленно использовать их или проварить и заморозить заново.

Замораживание свежих продуктов

Пожалуйста, соблюдайте следующие рекомендации для получения наилучших результатов.

Не замораживайте продукты сразу в слишком большом количестве за один раз. Продукты лучше сохраняются, если они заморожены насквозь максимально быстро.

Не перегружайте морозильную камеру более, чем на сутки.

Если поместить в морозильную камеру теплые продукты, то агрегаты холодильника должны будут работать непрерывно, пока продукты не заморозятся. На какое-то время это приведет к чрезмерному понижению температуры в холодильном отделении. Замораживая свежие продукты, устанавливайте термостат в среднее положение. Небольшие порции продуктов (до 0,5 кг) можно замораживать без изменения положения термостата.

Особенно тщательно следите за тем, чтобы не хранить вместе замороженные и свежие продукты.

Замораживание льда

Заполните лоток для льда водой на 3/4 и поместите его в морозильное отделение. Вытаскивайте кубики льда ручкой ложки или другим подобным инструментом; никогда не пользуйтесь острыми или режущими предметами вроде ножей или вилок.

Размораживание

А) Холодильное отделение

Холодильное отделение размораживается автоматически. Талая вода стекает к дренажной трубке через накопительный контейнер в задней части холодильника (см. рис. 5).

При размораживании капли воды могут скапливаться в задней части холодильного отделения, где размещен скрытый испаритель. Они могут остаться на стенке испарителя и повторно замерзнуть, когда закончится размораживание. Не удаляйте замерзшие капли острыми или режущими предметами типа ножей или вилок.

Если в какой-то момент Вы обнаружите, что талая вода не вытекает из накопительного контейнера, проверьте, не засорилась ли дренажная трубка в результате попадания частиц продуктов. Дренажную трубку можно продуть каким-либо приспособлением для прочистки (см. рис.).

В) Морозильная камера

Морозильная камера размораживается крайне просто и без всяких хлопот, благодаря наличию специального поддона для сбора талой воды.

Размораживайте камеру два раза в год или тогда, когда накопится слой инея толщиной до 7 мм. Чтобы начать размораживание, выключите холодильник из сети, вытащив штепсель из электрической розетки.

Все продукты следует завернуть в несколько слоев бумаги и сложить в прохладном месте (например в холодильнике или кладовке).

Для того, чтобы ускорить размораживание, Вы можете осторожно поставить в морозильную камеру емкость с теплой водой.

Не пользуйтесь острыми или режущими предметами вроде ножей или вилок для того, чтобы удалить иней.

Никогда не пользуйтесь феном, электрическим нагревателем или каким-либо другим аналогичным электрическим прибором для размораживания.

Удалите губкой талую воду, собравшуюся на дне морозильной камеры. После размораживания насухо вытрите внутреннюю поверхность камеры. Вставьте штепсель в розетку и включите холодильник.

Замена лампочки внутри холодильника

Если свет внутри холодильника не горит, выключите выключатель, расположенный около лампочки и отключите холодильник от сети.

Затем проверьте, надежно ли завинчена в патроне лампочка. Подключите холодильник к электросети и включите его.

Если свет внутри холодильника попрежнему не горит, купите в магазине новую лампочку типа E14 (завинчивающуюся) мощностью 15 Вт и установите ее на место.

Перегоревшую лампочку незамедлительно выбросите, соблюдая меры предосторожности.

Чистка холодильника и уход за ним

1. Мы советуем Вам выключать холодильник выключателем и вытаскивать штепсель из электрической розетки перед чисткой.

2. Никогда не пользуйтесь для чистки холодильника острыми инструментами или абразивными материалами, мылом, бытовыми чистящими средствами, моющими или полирующими средствами.

3. Для чистки корпуса холодильника пользуйтесь теплой водой и вытирайте его насухо.

4. Смочите тряпку в растворе пищевой соды (одна чайная ложка на поллитра воды) для того, чтобы вымыть холодильник внутри, и протрите все поверхности насухо.

5. Следите за тем, чтобы вода не попадала в коробку регулятора температуры.

6. Если Вы не собираетесь пользоваться холодильником в течение длительного времени, выключите его, уберите из него все продукты, вымойте внутри и оставьте дверцу приоткрытой.

7. Мы советуем Вам полировать металлические части корпуса (т.е. внешнюю поверхность двери, боковые стенки) силиконовой мастикой (автомобильная полироль) для того, чтобы сохранить высокое качество окраски.

8. Пыль, которая собирается на конденсаторе, расположенном в задней части холодильника, следует раз в год удалять пылесосом.

9. Регулярно проверяйте уплотнение двери, чтобы убедиться, что оно чистое, и на нем нет остатков продуктов.

10. Никогда:

- не чистите холодильник не предназначенными для этого средствами такими как, например, веществами, содержащими бензин;
- не подвергайте холодильник воздействию высокой температуры;
- не мойте, не протирайте и т.д. холодильник, используя абразивные материалы.

11. Как снять крышку отделения для молочных продуктов и лоток на двери.

- Для того, чтобы снять крышку отделения для молочных продуктов, сначала поднимите ее на пару сантиметров и вытащите ее с той стороны, где на крышке имеется отверстие.
- Для того, чтобы снять лоток, расположенный на двери, удалите все, что на нем лежит, и затем просто поднимите его и снимите с основания.

12. Следите за тем, чтобы специальный пластмассовый лоток, расположенный в задней части холодильника и служащий для сбора талой воды, был всегда чистый. Если Вам надо вытащить его для того, чтобы вымыть, следуйте приведенным ниже рекомендациям:

- выключите выключатель около лампочки и вытащите штепсель из розетки;
- осторожно разогните плоскогубцами защелку на компрессоре, чтобы освободить лоток, и вытащите его резким движением;
- вымойте лоток и просушите;
- поставьте лоток на место, выполнив описанные выше действия в обратном порядке.

13. Большой слой льда мешает нормальной работе холодильника, ухудшая его характеристики.

14. В случае протечки масла или маслосодержащих жидкостей внутри холодильника, тщательно удалите его, воспользовавшись советами, приведенными выше.

Перевешивание двери

Выполните действия в порядке, указанном на схеме (рис. 7).

Что следует и чего нельзя делать

- Следует** - регулярно чистить и размораживать холодильник (см. раздел Размораживание).
- Следует** - хранить сырое мясо и птицу на нижних полках, под полками, на которых стоят готовые блюда и молочные продукты.
- Следует** - очищать овощи от земли и удалять неиспользуемые листья.
- Следует** - не отрезать листья салата и петрушки от корней, а обычную и цветную капусту от кочерыжки.
- Следует** - сыр сначала заворачивать в пергаментную бумагу, а затем класть в полиэтиленовый пакет, удаляя из пакета весь воздух. Для улучшения вкусовых качеств сыра, рекомендуется доставать его из холодильника за час до употребления.
- Следует** - класть сырое мясо и птицу в полиэтиленовый пакет или алюминиевую фольгу, не заворачивая туго. Это препятствует высушиванию.
- Следует** - класть рыбу и треску в полиэтиленовые пакеты.
- Следует** - заворачивать сильно пахнущие продукты или продукты, который могут высохнуть, в полиэтиленовые пакеты или алюминиевую фольгу, или хранить их в плотно закрытой посуде.
- Следует** - тщательно упаковывать хлеб, чтобы сохранить его свежим.
- Следует** - охлаждать белые вина, пиво и минеральную воду перед употреблением.
- Следует** - почаще проверять продукты, хранящиеся в морозильной камере.
- Следует** - хранить продукты в течение как можно меньшего времени и строго соблюдать сроки хранения.
- Следует** - хранить готовые замороженные продукты в соответствии с инструкциями, указанными на упаковке.
- Следует** - всегда выбирать свежие продукты высокого качества и тщательно мыть их перед замораживанием.
- Следует** - делить свежие продукты на маленькие порции, чтобы они быстрее замораживались.
- Следует** - заворачивать все продукты в алюминиевую фольгу или специальные полиэтиленовые пакеты для морозильника и удалять из упаковки весь воздух.

- Следует** - как можно скорее заворачивать только что купленные замороженные продукты и класть в морозильную камеру.
- Следует** - размораживать замороженные продукты в холодильном отделении.
- Не следует** - хранить в холодильнике бананы.
- Не следует** - хранить в холодильнике дыню. Ее можно охладить в течение короткого времени, если она завернута так, чтобы ее запахом не пропахли другие продукты.
- Не следует** - закрывать полки любыми защитными материалами, которые могут препятствовать циркуляции воздуха.
- Не следует** - хранить в холодильнике ядовитые или опасные вещества. Холодильник предназначен для хранения только пищевых продуктов.
- Не следует** - употреблять в пищу продукты, которые хранились в холодильнике сверх допустимого времени.
- Не следует** - хранить вместе в одной и той же посуде готовые блюда и свежие продукты. Они должны быть уложены в разные контейнеры и храниться отдельно.
- Не следует** - допускать, чтобы жидкость из размораживаемых продуктов капала на другие продукты, хранящиеся в холодильнике.
- Не следует** - оставлять дверь холодильника открытой в течение длительного времени, поскольку это приведет к дополнительным расходам по его эксплуатации.
- Не следует** - использовать острые предметы, типа ножей или вилок, для удаления инея.
- Не следует** - ставить в холодильник горячие продукты. Надо дать им сначала остыть.
- Не следует** - помещать в морозильную камеру наполненные жидкостью бутылки или нераспечатанные банки с газированными напитками, так как они могут разорваться.
- Не следует** - переполнять сверх всякой меры морозильную камеру при замораживании свежих продуктов.
- Не следует** - давать детям мороженое или замороженную фруктовую воду прямо из морозильной камеры. Они могут обморозить губы.
- Не следует** - замораживать газированные напитки.

Почему холодильник шумит?

При эксплуатации холодильника Вы можете слышать различные шумы, вызванные нормальной работой системы охлаждения

- Охлаждающий реагент, циркулирующий в системе, может создавать шум, как-будто переливается вода по трубам. Эти звуки слышны и некоторое время после того, как компрессор выключится.
- Различные щелчки вызываются при температурном расширении и сжатии стенок и различных деталей внутри холодильника
- Шумы издает работающий компрессор. При включении мотора шум может слегка усиливаться и понижаться в дальнейшем при достижении заданной температуры внутри холодильника

Для снижения уровня шума и вибрации проверьте следующее:

- Устойчиво ли стоит холодильник на всех четырех ножках
- Не касается ли холодильник каких-либо предметов. Отодвиньте его подальше от стен, шкафов и другого кухонного оборудования.
- Хорошо ли закреплены полки внутри холодильника, не соприкасаются ли друг с другом банки и бутылки

Устранение неисправностей

Если холодильник не работает, когда он включен, убедитесь:


- что штепсель вставлен в электрическую розетку правильно и что электричество не отключено. (Для проверки наличия тока в розетке, включите в нее другой электроприбор);
- что не сгорел плавкий предохранитель, не отключился выключатель или не отключен главный выключатель на распределительном щите;
- что регулятор температуры установлен правильно;
- что новый штепсель, используемый вместо заводского, поставлен правильно.

Если холодильник все еще не работает после того, как Вы выполнили описанные выше проверочные действия, обратитесь за помощью к специалисту Авторизованного Сервисного Центра **BEKO**

Технические характеристики

Марка	BEKO
Тип холодильника	Холодильник – Морозильник ✱***
Общий объем (л)	233
Полезный объем (л)	228
Полезный объем морозильной камеры (л)	49
Полезный объем холодильного отделения (л)	179
Производительность морозильной камеры (кг/сутки)	4
Класс энергетической эффективности (1)	A
Потребление электроэнергии (кВт/год) (2)	288
Допустимый перерыв в подаче электроэнергии (час)	12
Шум (Дб(А))	41
Класс электрозащиты	1
Потребляемый ток (А)	0,6
Электропитание (В)	207-253
Вес нетто (кг)	44
Высота (см)	146
Ширина (см)	54
Глубина (см)	60
Мощность (Вт)	85
Экологически безопасный охлаждающий реагент R600a	
(1) Класс энергопотребления: A++ ... G (A++ = экономичный, G = наименее экономичный)	
(2) Реальное потребление электроэнергии зависит от конкретных условий эксплуатации	



Символ  на изделии или на упаковке указывает, что изделие не должно утилизироваться с бытовыми отходами. Вместо этого его следует сдать на соответствующий пункт сбора отходов по утилизации электрического и электронного оборудования. Обеспечивая надлежащую утилизацию данного изделия, вы способствуете предотвращению потенциальных негативных последствий для окружающей среды и здоровья людей, которые в противном случае могут наступить вследствие неправильного обращения с его отходами. За более подробной информацией по утилизации данного изделия обратитесь в местную городскую администрацию, службу утилизации бытовых отходов или в магазин, в котором вы приобрели изделие.

Уважаемый Покупатель!

Благодарим Вас за выбор изделия торговой марки **BEKO**.
Настоящие условия гарантии действительны на территории России, **если иные условия не установлены действующим законодательством.**

1. Изготовитель устанавливает на изделие гарантийный срок 2 (два) года со дня передачи Потребителю. Срок службы бытовой техники “БЕКО” при соблюдении правил эксплуатации и применения ее в бытовых целях составляет 10 (десять) лет.
2. Гарантия распространяется на изделия, используемые только для личных, семейных, домашних нужд, а также нужд, не связанных с осуществлением предпринимательской деятельности.
3. Проследите, чтобы гарантийный документ был правильно заполнен, не имел исправлений и в нем были указаны: дата продажи, штамп торговой организации и подпись продавца, модель и серийный номер изделия, дата установки, название и штамп фирмы-установщика.
4. Сохраняйте гарантийный документ, чек на проданное изделие и квитанцию на услуги по его установке (доставке), доработке водяных и электрических внутриквартирных коммуникаций, а также любые другие документы, относящиеся к гарантийному или техническому обслуживанию изделия.
5. Гарантийный срок на запчасти, замененные в течении гарантийного срока, составляет 6 (шесть) месяцев.
6. Прежде чем вызвать специалиста сервисного центра “БЕКО”, внимательно прочитайте инструкцию по эксплуатации изделия. Если изделие исправно, то за сервисным центром “БЕКО” остается право требовать от Потребителя оплаты ложного вызова.
7. Любые претензии по качеству изделия рассматриваются только после предварительной проверки качества изделия представителем сервисного центра “БЕКО”.
8. Изготовитель не несет какой-либо ответственности за любой возможный ущерб, нанесенный потребителю, в случае не соблюдения последним требований Изготовителя, указанных в данном гарантийном документе и инструкции по эксплуатации.



Установка и подключение

1. Производитель рекомендует Вам доверить установку и подключение изделия “БЕКО” специалистам сервисного центра “БЕКО”. Вы можете также обращаться в любую другую организацию, имеющую сертификат на оказание подобных услуг.
2. Оплата работ по установке и подключению изделия происходит по прейскуранту сервисного центра. Условия оплаты работ по установке и подключению регулируются действующим законодательством. Изготовитель не несет какой-либо ответственности за любой ущерб, нанесенный имуществу граждан вследствие установки и подключения, не соответствующих требованиям, указанным в инструкции по эксплуатации, и/или произведенных не уполномоченными на это лицами.
3. В случае нарушения требований Изготовителя по установке и подключению, ответственность за причиненный ущерб несет лицо, проводившее эту работу.



ВНИМАНИЕ !

Изделие, имеющее трех-контактную сетевую вилку, обязательно должно быть заземлено!



Гарантия не распространяется на изделия, недостатки в которых возникли вследствие:

1. Не соблюдения требований Изготовителя, указанных в гарантийном документе;
2. Не соблюдения Потребителем правил установки, подключения, эксплуатации, хранения или транспортировки изделия, указанных в инструкции по эксплуатации;
3. Ремонта не уполномоченными на то лицами, если такой ремонт повлек за собой отказ изделия;
4. Разборки изделия, изменения конструкции и других вмешательств, непредусмотренных инструкцией по эксплуатации;
5. Неисправностей и повреждений, вызванных экстремальными условиями и действием непреодолимой силы (пожар, стихийные бедствия, и т.д.);
6. Повреждений техники или нарушений ее нормальной работы, вызванных животными или насекомыми;
7. Повреждений техники или нарушений ее нормальной работы, вызванных сверхнормативными отклонениями параметров сети электро-, газо-, или водоснабжения от номинальных значений;
8. Использования изделия для предпринимательской деятельности и/или в непредусмотренных целях;
9. Образования на нагревательных элементах избыточного слоя накипи (при повышенной жесткости воды необходима обработка соответствующими составами);
10. Попадания во внутренние рабочие объемы изделия посторонних предметов, мелких деталей одежды или остатков пищи;
11. Механических повреждениях изделия Потребителем (царапины, трещины, сколы и т.п.);
12. Потери товарного вида вследствие воздействия на изделие химических веществ;
13. Термических и других подобных повреждениях, которые возникли в процессе эксплуатации.



Изготовитель не принимает претензии в следующих случаях:

1. Не соблюдения правил установки;
2. Отсутствия оригинального гарантийного талона;
3. При отсутствии в гарантийном документе следующих сведений: даты продажи, штампа торгующей организации, подписи продавца, модели и серийного номера изделия;
4. Внесения любых исправлений (изменений) в текст гарантийного документа.

Вітаємо вас з придбанням високоякісного холодильника **BEKO**. Вам служити тривалий час.

Безпека перш за все!

Не вмикайте холодильник до електромережі, доки не приберете всю упаковку і транспортувальні кріплення.

- Якщо ви перевозили холодильник у горизонтальному положенні,

Не вмикайте його після розпакування принаймні 4 години, для того, щоб всі системи прийшли до норми.

- Якщо ви викидаєте старий холодильник, і в нього на дверях є замок чи засув, впевніться, що вони в робочому стані, щоб діти граючись, випадково не опинилися в ньому зачиненими.

- Холодильник має використовуватись лише за призначенням.

- Позбуваючись старого холодильника, не намагайтесь його спалити. В теплоізоляції холодильника використовуються займісті матеріали. Ми радимо вам зв'язатися з місцевими органами влади для отримання інформації стосовно того, куди можна викинути старий холодильник.

- Ми не рекомендуємо користуватися холодильником в неопалюваному, холодному місці (наприклад, гаражі, на складі, в прибудові, під навісом, у надвірній прибудові і т.н.)

Щоб забезпечити максимально ефективну і безперебійну роботу холодильника, дуже важливо уважно прочитати цю інструкцію. Поламка холодильника в результаті недотримання наших рекомендацій може позбавити Вас права на безкоштовне обслуговування впродовж гарантійного періоду.

Будь ласка, зберігайте цю інструкцію в надійному місці, щоб її можна було легко знайти в разі необхідності.

Пристрій не призначений для використання людьми зі зниженими фізичними або розумовими здібностями, а також порушеннями чутливості. Люди, що не мають досвіду поводження з даними пристроєм, можуть використовувати його лише під наглядом досвідчених осіб, відповідальних за безпеку. Використання пристрою дітьми також має відбуватися під контролем дорослих.

Вимоги до електропостачання

Перед тим, як вставити штепсель до електричної розетки, впевніться, що напруга і частота струму, вказані на заводській марці всередині холодильника, відповідають напрузі та частоті струму у Вашому будинку. Ми рекомендуємо підключати холодильник до електромережі через розетку, належним чином встановлену у легкодоступному місці.

Увага! Холодильник має бути заземлений. Ремонт електричного обладнання має виконуватися лише кваліфікованим спеціалістом. Неправильний ремонт, виконаний некваліфікованою людиною, пов'язаний з ризиком і холодильник може стати небезпечним в експлуатації.

Увага!

В системі охолодження холодильника циркулює газ R600a, що не має шкідливого впливу на навколишнє середовище, але легко займається. Під час транспортування та встановлення холодильника намагайтесь не пошкодити систему охолодження. Якщо пошкодження таки сталося і має місце витік газу з системи охолодження, слідкуйте за тим, щоб поряд із холодильником не було джерел відкритого вогню добре провітріть приміщення.

УВАГА - Не користуйтесь жодними механічними пристосуваннями окрім тих, що рекомендуються в цій інструкції для прискорення розморожування холодильника та очищення морозильної камери від льоду.

УВАГА - Не допускайте пошкоджень системи охолодження.

УВАГА - Не встановлюйте всередині холодильника електричних пристосувань, окрім тих, що рекомендовані виробником холодильника.

Інструкція з транспортування

1. Холодильник має транспортуватися лише у вертикальному стані. Заводська упаковка під час транспортування має залишитись непошкодженою.

2. Якщо холодильник під час транспортування був розміщений горизонтально, ним не слід користуватися принаймні 4 години, щоб всі його системи прийшли до норми.

3. Виробник не несе відповідальності за пошкодження холодильника, якщо порушуються вищезгадані рекомендації.

4. Холодильник має бути захищений від дощу, вологи та інших атмосферних впливів.

Важливе зауваження!

- Слід бути обережними під час чистки або переміщення холодильника і не торкатися металічних частин конденсатора в задній частині холодильника, бо в результаті можна пошкодити пальці та руки.

- Не сідайте і не ставайте на холодильник. Він для цього не призначений. Ви можете отримати травму чи пошкодити холодильник.

- Впевніться, що електричний провід не потрапив під холодильник під час і після переміщення холодильника, інакше його можна пошкодити.

- Не дозволяйте дітям гратися з холодильником або гратися з ручками чи кнопками керування.

Інструкція зі встановлення

1. Не ставте холодильник в приміщенні, де температура може опускатися нижче 10 °C вночі або, особливо, взимку, оскільки холодильник розрахований на роботу за температури навколишнього середовища в межах від +10 до +32 °C. За більш низької температури холодильник може не працювати і термін зберігання продуктів в ньому має бути скорочений.

2. Не встановлюйте холодильник поблизу від кухонних плит або радіаторів опалення чи на прямому сонячному світлі, оскільки це викличе додаткове навантаження на агрегати холодильника. Якщо ви змушені встановлювати холодильник поряд із джерелом тепла або морозильником, забезпечте наступну мінімальну відстань: від кухонних плит 30 мм від радіаторів опалення 300 мм від морозильників 25 мм

3. Намагайтесь, щоб навколо холодильника було достатньо вільного місця і повітря вільно циркулювало (**див. мал. 2**).

• Встановіть вентиляційну кришку на задньому боці холодильника для того, Щоб забезпечити необхідну відстань між холодильником і стіною (**див. мал. 3**).

4. Холодильник має стояти на рівній поверхні. Дві передні ніжки мають бути відповідним чином відрегульовані. Щоб досягти суворо вертикального положення холодильника, відрегулюйте ніжки, обертючи їх за або проти годинникової стрілки, доки вони не будуть стійко стояти на підлозі.

Правильне регулювання ніжок холодильника попереджує надмірну вібрацію та шум (**див. мал. 4**).

5. Зверніться до розділу “Чищення холодильника і догляд за ним”, щоб підготувати холодильник до експлуатації.

Загальні відомості про

холодильник:

(Мал. 1)

- 1 - Поличка морозильної камери
- 2 - Коробка термостату та лампочка внутрішнього освітлення
- 3 - Знімні полички
- 4 - Полиця для вин
- 5 - Кришка ящика для овочів
- 6 - Ящики для овочів
- 7 - Регульовані ніжки
- 8 - Відділення для молочних продуктів
- 9 - Зсувні ящики
- 10- Поличка для банок
- 11 - Поличка для пляшок

Рекомендований спосіб розміщення продуктів у холодильнику.

Рекомендації з оптимального зберігання та дотримання санітарних норм:

1. Холодильне відділення призначене для нетривалого зберігання свіжих продуктів та напоїв.

2. Морозильна камера має заморожувальну здатність в три зірочки і призначена для зберігання заморожених продуктів.

Рекомендації зі зберігання заморожених продуктів вказані на їх упакуванні і їх слід дотримуватися в усіх випадках.

3. Приготовані страви мають зберігатися в щільно закритому посуді.

4. Свіжі продукти в упаковці можна зберігати на полиці. Свіжі фрукти та овочі мають бути чистими та зберігатися в ящику для овочів.

5. Пляшки можна зберігати у спеціальному відділенні на дверях.

6. Сире м'ясо зберігайте у поліетиленових пакетах на найнижчій полиці. Не допускайте контакту сирого м'яса з готовими стравами, щоб уникнути зараження з метою безпеки зберігайте сире м'ясо лише два-три дні.,

7. Для максимально ефективної роботи холодильника, знімні полиці не повинні бути накриті папером або іншим матеріалом, що перешкоджає вільній циркуляції холодного повітря.

8. Не тримайте рослинну олію на полицях з внутрішньої сторони дверцят.

Зберігайте продукти загорнутими, упакованими або під кришкою.

Охолодіть гарячі продукти або напої перш ніж ставити їх в холодильник. Відкриті консерви не повинні зберігатися у консервних банках.

9. Не можна заморожувати газовані напої, а лід з ароматизованої води не варто вживати надто холодним.

10. Деякі овочі та фрукти псуються від температури, близької до 0° С. Тому тримайте ананаси, диню, огірки, томати та інші подібні продукти у поліетиленових пакетах.

11. Міцні спиртні напої повинні зберігатися у вертикальних, щільно закритих ємкостях. Ніколи не зберігайте у холодильнику продукти, що містять легкозаймистий газ (наприклад, вершки з розпилювачем, консерви в аерозольному упакуванні і т.п.) або вибухові речовини.

Це може бути небезпечно.

Регулювання температури.

Температура всередині холодильника регулюється ручкою термостату, що може бути встановлена в будь-яке положення між 1 і 5 (максимально низька температура).

Середня температура всередині холодильного відділення має бути +5 °С. Тому встановіть термостат в положення, що забезпечить потрібну температуру. В різних місцях всередині холодильного відділення (наприклад, ящика для овочів або у верхній частині відділення) температура може бути вище або нижче, що цілком нормально.

Ми радимо періодично перевіряти точним термометром чи зберігається всередині холодильника потрібна температура. В разі частого відчинення дверцят холодне повітря виходить з холодильника і температура всередині підвищується, тому не залишайте дверцята відчиненими і намагайтеся зачиняти їх якомога швидше.

Перед початком роботи

Остання перевірка

Перед початком експлуатації холодильника перевірте наступне:

1. Передні ніжки мають бути відрегульовані так, щоб забезпечувати стійке положення холодильника.
2. Всередині холодильника має бути сухо, повітря за ним повинно циркулювати вільно.
3. Холодильник всередині має бути чисто вимитим, як рекомендується у розділі, "Чищення холодильника і догляд за ним".
4. Штепсель повинен бути вставлений у розетку та електричний струм ввімкнутий. Коли відчиняються дверцята холодильного відділення, має загорятись лампочка внутрішнього освітлення.

Зверніть увагу на те, що:

5. Ви будете чути шум при ввімкненні компресора. Рідина та газ всередині системи охолодження також можуть створювати деякий шум, незалежно від того, працює компресор чи ні. Це цілком нормально.
6. Верхня частина буде трохи вібрувати. Це нормально і не є дефектом.

7. Ми радимо встановити термостат в середнє положення і деякий час спостерігати за температурою, щоб пересвідчитись, що холодильник підтримує потрібну температуру зберігання (див. розділ «Регулювання температури»).

8. Не завантажуйте холодильник одразу після ввімкнення. Зачекайте, доки всередині не встановиться потрібна температура. Ми радимо перевіряти температуру точним термометром(див. розділ «Регулювання температури»).

Зберігання заморожених продуктів

Холодильник розрахований на тривале збереження харчових продуктів, заморожених промисловим способом, а також може бути використаний для замороження і зберігання свіжих продуктів. В разі перебоїв із електропостачанням не відкривайте дверцята холодильника. Заморожені продукти не постраждають, якщо електропостачання перервано менше, ніж на 19 годин.

Якщо струму немає більш тривалий час, то слід перевірити продукти, що зберігаються і негайно використати їх або проварити і заморозити знову.

Заморожування свіжих продуктів

Не заморожуйте продукти одразу в надто великій кількості за один раз.

Продукти краще зберігаються, якщо вони проморожені наскрізь максимально швидко. Не перевантажуйте морозильну камеру більше, ніж на добу.

Якщо покласти до морозильної камери теплі продукти, то агрегати холодильника повинні будуть працювати безперервно, поки продукти не заморозяться. На якийсь час це призведе до надмірного зниження температури в холодильному відділенні. Заморожуючи свіжі продукти, встановлюйте термостат в середнє положення. Невеликі порції продуктів (до 0,5 кг) можна заморожувати без зміни положення термостату.

Особливо ретельно слідкуйте за тим, щоб не зберігати разом заморожені та свіжі продукти.

Заморожування льоду

Заповніть лоток для льоду водою на 3/4 і помістіть його у морозильне відділення. Діставайте кубики льоду ручкою ложки або іншим подібним інструментом; ніколи не користуйтеся гострими або ріжучими предметами.

Розморозування:

А) Холодильне відділення

Холодильне відділення розморозується автоматично. Тала вода стікає до дренажної трубки через накопичувальний контейнер в задній частині холодильника. (див. мал. 5).

Під час розморозування краплі води можуть накопичуватися у задній частині холодильного відділення, де розміщений прихований випаровувач. Вони можуть залишитися на стінці випаровувача, де повторно замерзнуть, коли закінчиться розморозування. Не видаляйте замерзлі краплі гострими або ріжучими предметами на зразок ножів або виделок. Якщо в якусь мить ви побачите, що тала вода не витікає з накопичувального контейнера, перевірте, чи не забила дренажна трубка в результаті потрапляння частинок продуктів. Дренажну трубку можна продути будь-яким пристроєм для прочистки.

В) Морозильна камера

Морозильна камера розморозується дуже просто і без зайвого клопоту завдяки наявності спеціального піддону для збирання талої води.

Розморозуйте камеру двічі на рік або коли накопичиться шар наморозі товщиною до 7 мм. Щоб розпочати розморозування, вимкніть холодильник з мережі, витягнувши штепсель з електричної розетки.

Всі продукти слід загорнути в кілька шарів паперу і скласти в прохолодному місці (наприклад, холодильнику або коморі). Для того, щоб прискорити розморозування, можна поставити до морозильної камери ємність з теплою водою.

Не користуйтеся гострими або ріжучими предметами, на зразок ножів або виделок для того, щоб видалити наморозь.

Ніколи не користуйтеся феном, електричним обігрівачем або будь-яким іншим електричним приладом для розмороження.

Видаліть губкою талу воду, що зібралась на дні морозильної камери. Після розморозування витріть насухо внутрішню поверхню камери.

Вставте штепсель в розетку і ввімкніть холодильник.

Заміна лампочки всередині холодильника

Якщо світло всередині холодильника не горить, вимкніть вимикач, розташований біля лампочки і вимкніть холодильник з мережі. Потім перевірте, чи надійно закручена в патроні лампочка. Під'єднайте холодильник до електромережі та ввімкніть його.

Якщо світло всередині холодильника все ще не горить, придбайте нову лампочку типу E14 (що закручується) потужністю 15 Вт і встановіть її на місце.

Перегорілу лампочку негайно викиньте, дотримуючись запобіжних заходів.

Чищення холодильника і догляд за ним

1. Ми радимо вам вимикати холодильник вимикачем і витягувати штепсель з електричної розетки перед чищенням.
2. Ніколи не користуйтеся для чищення холодильника гострими інструментами або абразивними матеріалами, милом, побутовими засобами для чищення, миючими або поліруючими засобами.
3. Для чищення корпусу холодильника користуйтеся теплою водою і витирайте його насухо.
4. Змочіть ганчірку у розчині харчової соди (одна чайна ложка на півлітра води) для того, щоб вимити холодильник всередині, і протріть всі поверхні насухо.
5. Слідкуйте за тим, щоб вода не потрапляла до коробки термостату.
6. Якщо ви не збираєтесь користуватися холодильником тривалий час, вимкніть його, заберіть з нього всі продукти, вимийте зсередини та залишіть дверцята не причиненими
7. Ми радимо Вам полірувати металеві частини корпусу (тобто зовнішню поверхню дверей, бокові стінки) силіконовою мастикою (автомобільний поліроль) для того, щоб зберегти високу якість пофарбування.
8. Пил, що збирається на конденсаторі, розташованому в задній частині холодильника, слід раз на рік видаляти пилососом.
9. Регулярно перевіряйте ущільнення дверцят, щоб пересвідчитися, що воно чисте і на ньому немає залишків продуктів.
10. Ніколи:
 - не чистіть холодильник не призначеними для цього засобами, такими, як наприклад, речовини, що містять бензин;
 - не піддавайте холодильник впливу високої температури;
 - не мийте, не протирайте і т.п. холодильник, використовуючи абразивні матеріали.
11. Слідкуйте за тим, щоб пластмасовий лоток, розташований у задній частині холодильника для збирання талої води був завжди чистим.

Якщо вам треба витягнути його, щоб помити, дотримуйтеся наведених нижче рекомендацій:

- вимкніть вимикач біля лампочки і витягніть штепсель з розетки;
 - обережно розігніть плоскогубцями заціпку на компресорі, щоб
12. Для того, щоб витягнути висувний ящик, потягніть його на себе до кінця, при підніміть і витягніть зовсім.

Перенавішування дверцят

Виконайте дії в послідовності, вказаній на схемі (Мал. 7).

Що слід і чого не можна робити

Слід - регулярно чистити і розморожувати холодильник (див. розділ «Розморожування»)

Слід - зберігати сире м'ясо і птицю на нижніх полицях, під полицями, на яких стоять готові страви та молочні продукти.

Слід - очищати овочі від землі та видаляти не використовуване листя.

Слід - не відрізати листя салату та петрушки від коренів, а звичайну та кольорову капусту від качана.

Слід - сир спершу загортати у пергаментний папір, а потім класти до поліетиленового пакету, видаляючи з пакету все повітря. Для поліпшення смакових якостей сиру, рекомендується діставати його з холодильника за годину до вживання.

Слід - класти сире м'ясо та птицю до поліетиленового пакету або алюмінієвої фольги, не загортаючи сильно. Це запобігає висушуванню.

Слід - класти рибу та тельбухи до поліетиленових пакетів.

Слід - загортати продукти, що мають сильний запах, чи продукти, що можуть висохнути, у поліетиленовий пакет або алюмінієву фольгу чи зберігати їх в щільно закритому посуді.

Слід - ретельно запаковувати хліб, щоб зберегти його свіжим.

Слід - охолоджувати білі вина, пиво та мінеральну воду перед вживанням.

Слід - частіше перевіряти продукти, що зберігаються у морозильній камері.

Слід - зберігати продукти впродовж якомога меншого часу і суворо дотримуватися термінів зберігання.

Слід - зберігати готові заморожені продукти відповідно до інструкцій, вказаних на упаковці.

Слід - завжди вибирати свіжі продукти високої якості і ретельно мити їх перед замороженням.

Слід - ділити свіжі продукти на маленькі порції, щоб вони швидше заморожувались.

Слід - загортати всі продукти в алюмінієву фольгу або спеціальні поліетиленові пакети для морозильника і видаляти з упаковки все повітря.

Слід - якомога скоріше загортати щойно куплені заморожені продукти і класти їх до морозильної камери.

Слід - розморожувати заморожені продукти у холодильному відділенні.

Не слід - зберігати у холодильнику банани.

Не слід - зберігати в холодильнику диню. Її можна охолодити впродовж короткого часу, якщо вона загорнута так, щоб її запахом не пропахли інші продукти.

Не слід - закривати полиці будь-якими захисними матеріалами, що можуть перешкоджати циркуляції повітря.

Не слід - зберігати в холодильнику отруйні або небезпечні речовини.

Холодильник призначений лише для зберігання харчових продуктів.

Не слід - вживати продукти, що зберігалися в холодильнику понад припустимий час.

Не слід - зберігати разом в одному посуді готові страви та свіжі продукти. Вони мають бути покладені до різних контейнерів і зберігатися окремо.

Не слід - допускати, щоб рідина з продуктів, що розморожуються, крапала на інші продукти, які зберігаються в холодильнику.

Не слід - залишати дверцята холодильника відчиненими впродовж тривалого часу, бо це призведе до додаткових витрат в його експлуатації.

Не слід - використовувати гострі або ріжучі предмети, на кшталт ножів або виделок для видалення наморозі.

Не слід - ставити до холодильника гарячі продукти. Треба спершу дати їм прохолонуть.

Не слід - класти до морозильної камери пляшки, наповнені водою, або не відкриті банки газованої води, бо вони можуть розірватися.

Не слід - переповнювати надміру морозильну камеру під час замороження свіжих продуктів.

Не слід - давати дітям морозиво або фруктову воду прямо з морозильної камери. Вони можуть обморозити губи.

Не слід - заморожувати газовані напої.

Не слід - тривалий час зберігати розморожені продукти, їх треба використати впродовж доби або проварити і заморозити знов.

Не слід - діставати продукти з холодильника мокрими руками

Чому холодильник шумить?

Під час експлуатації холодильника Ви можете чути різноманітні шуми, викликані нормальною роботою системи охолодження.

- Охолоджуючий реагент, що циркулює в системі, може створювати шум, наче переливається вода по трубах. Ці звуки чутно деякий час і після того, як компресор вимкнеться.

- Різноманітні клацання відбуваються під час температурного розширення і стиснення стінок холодильника та різноманітних деталей всередині холодильника.

- Шумить під час роботи компресор. При ввімкненні мотора шум може трохи посилюватись і знижуватись потім по досягненні заданої температури всередині холодильника.

Для зниження рівня шуму та вібрації перевірте наступне:

- Чи стійко стоїть холодильник на всіх чотирьох ніжках.

- Чи не торкається холодильник будь-яких предметів. Відсуньте його подалі від стін, шаф та іншого кухонного обладнання.

- Чи добре закріплені полиці всередині холодильника, чи не торкаються одне одного пляшки та банки.

Усунення несправностей

Якщо холодильник не працює, коли його ввімкнено, пересвідчіться:


- що штепсель вставлений до електричної розетки правильно і що електричний струм не вимкнений. (Для перевірки наявності струму ввімкніть до цієї розетки інший прилад);
- що не згорів запобіжник, не вимкнувся вимикач, чи не вимкнений головний вимикач на розподільчому щитку;

- що регулятор температури встановлений вірно;
 - що новий штепсель, що використовується замість заводського, поставлений вірно.
- Якщо холодильник все ще не працює після того, як Ви виконали перераховані вище перевірочні дії, порадьтесь із продавцем, в якого ви придбали холодильник.
- Будь ласка, пересвідчіться, що перевірили все, що могли, бо в іншому разі може виявитися, що Вам доведеться платити гроші, якщо пошкоджень не буде виявлено.

Технічні характеристики

Марка	BEKO
Тип холодильника	Холодильник-морозильник * ** *
Загальний об'єм (л)	233
Корисний об'єм (л)	228
Корисний об'єм морозильної камери (л)	49
Корисний об'єм холодильного відділення (л)	179
Продуктивність морозильної камери (кг/сутки)	4
Клас енергоспоживання (1)	A
Споживання електроенергії (кВт/год) (2)	288
Припустима перерва в подачі електроенергії (час)	12
Шум [dB(A) на 1 pW]	41
Екологічно безпечний охолоджуючий реагент R600a	
(1) Клас енергоспоживання: A+±..G (A+±=економічний, G = найменш економічний)	
(2) Реальне споживання електроенергії залежить від конкретних умов експлуатації.	



Символ  на виробі чи упаковці вказує, що цей прилад не слід утилізувати з побутовими відходами. Натомість його треба здати у відповідний пункт збору для утилізації електричного та електронного обладнання. Забезпечуючи належну утилізацію цього приладу, ви сприятимете запобіганню потенційним негативним наслідкам для довкілля та здоров'я людини, які можуть бути спричинені неправильним ставленням до утилізації цього виробу. За докладнішою інформацією щодо утилізації цього виробу зверніться до місцевої адміністрації, служби утилізації побутових відходів або до магазину, в якому ви придбали прилад.

Сізге көп жыл қызмет ететіндей жасалған **BEKO** сапалы жабдықты таңдағаныңызбен құттықтаймыз.

Ең алдымен қауіпсіздік!

Аппаратты бүкіл орама мен тасымалдау қорғағыштарын алып тастамағанша қуат көзіне қоспаңыз.

- Көлденең күйде тасымалданса, компрессор майы төмен түсуіне мүмкіндік беру үшін қосу алдында кемінде 4 сағат тұрғызып қойыңыз.
- Егер есікке құлып немесе ысырма бекітілген ескі аппаратты тастап жатсаңыз, балалардың тұрып қалуын болдырмау үшін оның қауіпсіз күйде қалдырғаныңызға көз жеткізіңіз.

• Бұл аппаратты тек арналған мақсатында қолдану керек.

• Аппаратты отқа тастамаңыз. Аппараттың орамасында тұтанғыш хлорфторкөміртек емес заттар бар. Тастау және қол жетімді орындар туралы ақпарат алу үшін жергілікті билік органдарына хабарласу ұсынылады.

• Бұл аппаратты жылытылмайтын, суық бөлмеде пайдалану ұсынылмайды. (мысалы, гаражда, консерваторияда, жапсыра салынған үйде, сарайда, үй сыртында, т.б.)

Аппараттан ең жақсы өнімділікті және мәселелерсіз жұмыс істеуді алу үшін осы нұсқауларды өте мұқият оқып шығу маңызды. Бұл нұсқауларды орындамау кепілдік кезеңінде тегін қызмет алу құқығыңызды жоюы мүмкін.

Оңай анықтама алу үшін осы нұсқауларды қауіпсіз орында сақтаңыз.

Бұл аппаратты физикалық, сезу және ойлау қабілеттері шектеулі (балаларды қоса), не болмаса тәжірибесі не білімі жоқ адамдар олардың қауіпсіздігіне жауапты адамның қадағалауымен және құрылғыны пайдалануға байланысты нұсқауларды бермейінше қолданбауы тиіс.

Балалардың аппаратпен ойнамауын қадағалаңыз.

Электр талаптары

Ашаны қабырға розеткасына салу алдында аппарат ішіндегі көрсеткіштер тақтасында көрсетілген кернеу мен жиілік қуат көзіне сәйкес екенін тексеріңіз.

Бұл аппаратты қуат көзіне жету оңай орындағы, оңай қосылатын және сақтандырғыштары бар розетка арқылы қосу ұсынылады.

Ескерту! Бұл аппаратты жерге қосу керек.

Электр жабдықты жөндеуді тек білікті техникалық маман орындауы керек. Білікті емес адам жасаған қате жөндеу аппарат пайдаланушысы үшін ауыр салдарларға әкелуі мүмкін.

НАЗАР АУДАРЫҢЫЗ!

Бұл аппарат R600a газымен жұмыс істейді. Бұл қоршаған орта үшін қауіпсіз, бірақ тұтанғыш газ.

Өнімді тасымалдау және орнату кезінде салқындату жүйесін зақымдап алмау үшін шаралар қолдану керек. Егер салқындату жүйесі зақымдалса және жүйеден газ ақса, өнімді ашық жалын көздерінен аулақ ұстаңыз және бөлмені біраз уақыт бойы желдетіңіз.

ЕСКЕРТУ - Еріту процесін тездету үшін өндіруші ұсынғаннан басқа механикалық құрылғыларды немесе басқа құралдарды пайдаланбаңыз.

ЕСКЕРТУ - Тоңазыту тізбегін зақымдап алмаңыз.

ЕСКЕРТУ - Өндіруші ұсынған түрге жататын болмаса, тамақ сақату бөлімдерінің ішінде электр аппараттарды пайдаланбаңыз.

Тасымалдау туралы нұсқаулар

1. Аппаратты тек тік күйде тасымалдау керек. Алынған кездегі күйдегі орамаға тасымалдау кезінде тиіспеу керек.

2. Тасымалдау кезінде аппарат көлденеңінен орнатылса, жүйенің отыруына мүмкіндік беру үшін оны кемінде 4 сағат бойы пайдаланбау керек.

3. Жоғарыдағы нұсқауларды орындамау аппараттың зақымдалуына әкелуі мүмкін. Оған өндіруші жауапты болмайды.

4. Аппаратты жаңбырдан, ылғалдан және басқа атмосфералық әсерлерден қорғау керек.

Маңызды!

• Аппаратты/тасымалдау кезінде аппараттың артындағы конденсатордың металл сымдарына тимеуге тырысу керек, өйткені бұл саусақтар мен қолдарды жарақаттауы мүмкін.

• Аппараттың үстінде отыруға немесе тұруға әрекет жасамаңыз, өйткені ол мұндай пайдалануға арналмаған. Өзіңізді жарақаттауыңыз немесе жабдықты зақымдауыңыз мүмкін.

• Жылжыту кезінде және одан кейін қуат кабелінің аппарат астында тұрып қалмауын қамтамасыз етіңіз, өйткені бұл кабельді зақымдауы мүмкін.

• Балаларға аппаратпен жұмыс істеуге немесе басқару тетіктерін бүлдіруіне жол бермеңіз.

Орнату туралы нұсқаулар

1. Температура түнде және/немесе әсіресе қыста -15 градустан С (5 F градус) төмен түсуі мүмкін бөлмеде аппаратты сақтамаңыз.

2. Аппаратты плиталар немесе радиаторлар жанында я болмаса тік түсетін күн сәулелерінің астына қоймаңыз, өйткені бұл аппарат функцияларына шамадан тыс жүктеме түсіреді. Егер жылу көзінің немесе мұздатқыштың жанында орнатылса, келесі ең аз бүйірлік аралықтарды сақтаңыз:

Плиталардан 30 мм ары

Радиаторлардан 300 мм ары

Мұздатқыштардан 25 мм ары

3. Еркін ауа айналымын қамтамасыз ету үшін аппарат айналасында жеткілікті бос орынды қамтамасыз етіңіз (**2-элемент**).

• Артқы желдету қақпағын мұздатқыштың артына қойып, тоңазытқыш пен қабырға арасында қашықтықты орнатыңыз (**3-элемент**).

4. Аппаратты тегіс бетте орналастыру керек.

Екі алдыңғы табанды қажетінше реттеуге болады. Аппараттың тік күйде тұруын қамтамасыз ету үшін екі алдыңғы табанды еденге жақсы тиіп тұрғанша сағат тілімен немесе оған кері бұрыңыз. Табанды дұрыс реттеу шамадан тыс дірілді және шуды болдырмайды (**4-элемент**).

5. Аппаратты пайдалануға дайындау үшін «Тазалау және күту» бөлімін қараңыз.

Аппаратпен танысу (1-элемент)

- 1 - Тұтқа және ішкі жарықты орнату
- 2 - Балғын тамақ желдеткіші
- 3 - Шарап бөтелкелерінің орны
- 4 - Реттелетін корпус сөрелері
- 5 - Контейнер қақпағы
- 6- Контейнерлер
- 7 - Мұз науасының тірегі және мұз науасы
- 8 - Тез тоңазытуға арналған бөлім
- 9 - Мұздатылған тамақтарды сақтауға арналған бөлімдер
- 10 - Реттелетін табан
- 11 - Сүт тағамдары бөлімі
- 12 - Саптыаяқтарға арналған сөре
- 13 - Сақтау тостағаны
- 14 - Бөтелкелерге арналған сөре
- 15 - Мұздатқыш желдеткіші

Желдеткіштердің мақсаты — бөлімде ауа айналымын қамтамасыз ету. Ол мотор-компрессорға параллель қосылады. Мотор-компрессор өшірулі кезде желдеткіштер де өшіріледі.

Аппараттағы тамақты ұсынылған орналастыру

Оңтайлы сақтау және гигиена туралы нұсқаулар

1. Тоңазыту бөлімі балғын тамақ пен сусындарды қысқа мерзімге сақтауға арналған.
2. Мұздатқыш бөлімінің деңгейі *** ** *** және алдын ала тоңазытылған тамақты мұздату және сақтау үшін қолайлы.
3. Өрқашан тамақ орамасында берілген *** ** *** сақтау ұсыныстарын орындау керек.
4. Сүт өнімдерін есікте берілген арнайы бөлімде сақтау керек.
5. Өзірленген тамақтарды ауа кірмейтін ыдыстарда сақтау керек.
6. Балғын оралған өнімдерді сөреде сақтауға болады. Балғын жемістер мен көкөністерді тазалап, ыдыстарда сақтау керек.
7. Бөтелкелерді есік бөлімінде сақтау керек.
8. Шикі етті сақтау үшін полиэтилен пакеттерге орап, ең төменгі сөреге қойыңыз. Ластануды болдырмау үшін әзірленген тамаққа тиюін болдырмаңыз. Қауіпсіздік үшін шикі етті екі-үш күн бойы сақтаңыз.

8. Ең жоғары тиімділік үшін салқын ауаның еркін айналуына мүмкіндік беру үшін алынбалы сөрелерді қағазбен немесе басқа материалдармен жаппау керек.
9. Өсімдік майын есік сөрелерінде сақтамаңыз. Тамақты пакетте, оралған немесе жабылған күйде сақтаңыз. Тоңазыту алдында ыстық тамақты және сусындарды салқындатыңыз. Қалған консервідегі тамақты консервіде сақтамау керек.
10. Газды сусындарды мұздатпау керек және хош иісті су мұзын тым суық етіп жемеу керек.
11. Кейбір жемістер мен көкөністер 0°C жақын температурада сақтағанда бүлінеді. Сондықтан ананастарды, қауындарды, қиярларды, қызанақтарды және ұқсас өнімдерді полиэтилен пакеттерде сақтаңыз.
12. Жоғары сапалы алкогольді тік күйде, жабық ыдыста сақтау керек. Тұтанғыш жарылғыш газ бар өнімдерді (мысалы, крем диспенсерлері, спрейлер, т.б.) немесе жарылғыш заттарды ешқашан сақтамаңыз. Бұлар жарылуы мүмкін.

Температураны басқару және реттеу

Жұмыс температуралары мұздатқыш бөлімінің төбесінде орналасқан орнату тұтқасымен (5-элемент) басқарылады. Параметрлерді ең аз 1 мен ең суық күй ең жоғары 6-ға дейін орнатуға болады. Аппаратты бірінші рет іске қосқанда, орнату тұтқасын 24 сағаттан кейін орташа тоңазыту температурасы +5°C (+41°F) жоғары болмайтындай реттеу керек. Тұтқаны ең аз және ең көп параметрдің арасында орнату, сөйтіп қажет температураны алуды бақылауды ұсынамыз, яғни, ең жоғары күйде суығырақ тоңазыту температурасын және керісінше аласыз. Тоңазытқыштың кейбір бөлімдері суығырақ немесе жылырақ болуы мүмкін (мысалы, салат контейнері және корпустың жоғарғы бөлігі). Бұл әбден қалыпты жағдай. Мұздатқыштың қалыпты сақтау температурасы -18°C (0°F) болуы керек. Төменірек температураларды орнату тұтқасын ең жоғары күйге қарай реттеу арқылы алуға болады. Сақтау бөлімдерінде қажет температура сақталуын қамтамасыз ету үшін температураны дәл термометрмен тексеру ұсынылады. Көрсеткішті өте тез қарау керек, өйткені термометр температурасы мұздатқыштан алғаннан кейін өте тез көтеріледі. Есікті ашқан сайын суық ауа шығады және ішкі температура көтеріледі. Сондықтан, есікті ешқашан ашық қалдырмаңыз және оны тамақты қою немесе алудан кейін бірден жабыңыз.

Пайдалану алдында

Түпкілікті тексеру

Аппаратты пайдалана бастау алдында мынаны тексеріңіз:

1. Табан тегіс етіп реттелген.
2. Аппараттың іші құрғақ және артында ауа еркін айналады.
3. «Тазалау және күту» бөлімінде ұсынылғандай аппараттың іші таза.
4. Аша қабырға розеткасына салынған және қуат көзі қосылған. Есікті ашқанда жарық жанады.

Және мынаны ескеріңіз:

5. Компрессор іске қосылғанда шуды естисіз. Тоңазыту жүйесінің ішіндегі сұйықтық пен газдар да біраз шу шығаруы мүмкін, компрессор жұмыс істеп тұрса да, істемей тұрса да. Бұл әбден қалыпты жағдай.
6. Корпустың жоғарғы жағының аздап шайқалуы әбдет қалыпты. Бұл ақаулыққа емес, өндіру процесіне байланысты.
7. Тұтқаны ортаға орнатып, температураны бақылап, аппараттың қажет сақтау температураларын сақтайтынына көз жеткізу ұсынылады («Температураны басқару және реттеу» бөлімін қараңыз).
8. Аппаратқа қосқаннан кейін бірден тамақ салмаңыз. Дұрыс сақтау температурасына жеткенше күтіңіз. Температураны дәл термометрмен тексеру ұсынылады («Температураны басқару және реттеу» бөлімін қараңыз).

Мұздатылған тамақты сақтау

Мұздатқыш коммерциялық әдіспен мұздатылған тамақтарды ұзақ мерзім сақтауға жарайды, сондай-ақ, оны балғын тамақты мұздату және сақтау үшін пайдалануға болады. Егер бұл қуат ақаулығы болса, есікті ашпаңыз. Ақаулық 19 сағаттан азырақ болса, мұздатылған тамаққа әсер етілмейді. Егер ақаулық ұзағырақ болса, онда тамақты тексеру және бірден жеу немесе әзірлеу, содан кейін қайта мұздату керек.

Балғын тамақты мұздату

Ең жақсы нәтижелерді алу үшін келесі нұсқауларды орындаңыз. Бір уақытта тым көп мөлшерді мұздатпаңыз. Тамақтың сапасы мүмкіндігінше тез өзегіне дейін мұздатылғанда ең жақсы сақталады. Аппараттың 24 сағат ішіндегі мұздаты мүмкіндігінен аспаңыз. Мұздатқыш бөлімге жылы тамақты қою тоңазытқыштың тамақ мұздатылғанша үздіксіз жұмыс істеуіне әкеледі. Бұл тоңазыту бөлімінің уақытша шамадан тыс салқындауына әкелуі мүмкін. Балғын тамақты мұздатқанда, орнату тұтқасын ортаңғы күйде ұстаңыз. 1/2 кг (1 фунт) дейінгі шағын тамақ мөлшерлерін температураны басқару тұтқасын реттеусіз мұздатуға болады. Қатырылып қойған тамақ пен балғын тамақты араластырып алмауға көңіл бөліңіз.

Мұз текшелерін жасау

Мұз текшелерін жасау науасын 3/4 дейін сумен толтырып, мұздатқышқа салыңыз. Мұздатылған науаларды қасықпен немесе ұқсас нәрсемен босатыңыз; ешқашан пышақтар немесе шанышқылар сияқты үшкір заттарды пайдаланбаңыз.

Еріту**А) Тоңазыту бөлімі**

Тоңазыту бөлімі автоматты түрде ериді. Еріген су аппараттың артындағы жинау ыдысы арқылы төгу түтігіне барады.

Судың электр бөліктерге немесе еденге төгілуін болдырмау үшін түтік соңымен компрессордағы жинау науасына тұрақты түрде қойылғанын тексеріңіз (**6-элемент**).

В) Тоңазытқыш бөлімі

NO FROST (МҰЗ ЖОҚ) түріне жататын еріту толығымен автоматты түрде өтеді. Сіздің килігуіңіз қажет емес. Су компрессор науасында жиналады. Компрессор қызуына байланысты су буланады

Мұзды кетіру үшін пышақтар немесе шанышқылар сияқты үшкір немесе өткір жиекті заттарды пайдаланбаңыз.

Ешқашан еріту үшін шаш құрғатқыштарды, электр қыздырғыштарды немесе басқа осы сияқты электр құралдарын пайдаланбаңыз.

Тоңазытқыш бөлімінің төменгі жағында жиналған суды губкамен сүртіп алыңыз. Ерітуден кейін аппарат ішін толығымен құрғатыңыз (**7 және 8 элементтер**). Ашаны қабырға розеткасына қосып, қуат көзін қосыңыз.

Ескертулер!

Тоңазытқыш және балғын тамақ бөлімдерінің ішіндегі желдеткіштер салқын ауаны айналдырады. Қорғаныс арқылы ешқашан заттарды салмаңыз. Балаларға балғын тамақ және тоңазытқыш желдеткішімен ойнауға рұқсат етпеңіз.

Тұтанғыш жарылғыш газ бар өнімдерді (мысалы, диспенсерлер, спрейлер, т.б.) немесе жарылғыш заттарды ешқашан сақтамаңыз.

Сөрелерді ауа айналымына кедергі жасауы мүмкін ешбір қорғағыш материалдармен жаппаңыз.

Балаларға аппаратпен жұмыс істеуге немесе басқару тетіктерін бұлдіруіне жол бермеңіз. Аппараттан ең жақсы мүмкін өнімділікті алу үшін желдеткіш қаптамасына кедергі келтірмеңіз. (**9-элемент және 10-элемент**)

Ескерту!

Аппарат тоңазытқыштың өнімділігі үшін өте маңызды айналдыру желдеткішімен жабдықталған. Желдеткіштердің бұғатталмағанын (тоқтамағанын) я болмаса тамақпен немесе орамамен зақымдалмағанын тексеріңіз. Желдеткішті бұғаттау (тоқтату) немесе зақымдау ішкі мұздатқыш температурасының артуына әкеледі (еру).

Ішкі жарық шамын ауыстыру (11-элемент)

Жарық шамы істен шыққан жағдайда, оны оңай ауыстыруға болады. Алдымен тоңазытқыш / мұздатқышты ашаны суыру арқылы қуат көзінен ажыратыңыз. Жалпақ бұрауышты алып, шам қақпағы мен ішкі корпус арасындағы сол жақ саңылауға күш салмай жайлап салыңыз. Содан кейін бұрауыштың тұтқасын қақпақтың сол жақ істігі босағанын байқағанша сол жаққа қарай жайлап басыңыз. Бұл процедураны оң жақ саңылауды қайталаңыз, бірақ, енді бұрауыштың тұтқасын жайлап оң жаққа қарай басыңыз. Егер екі жақта босаса, қақпақты оңай алуға болады.

Шам шам ұстағышына берік бұралғанын тексеріңіз. Аппаратты қуат көзіне қосыңыз. Егер жарық бәрібір жанбаса, Е14 бұранда басы түріндегі 15 Ваттық (ең көп) шамды жергілікті электр дүкенінде ауыстырып, орнатыңыз. Күйіп кеткен жарық шамын бірден тастаңыз.

Егер жарық шамын ауыстырсаңыз, қақпақты қайтадан алдыңғы күйіне орнатыңыз. Қақпақтың дұрыс орнатылуын қадағалаңыз.

Тазарту және күтім жасау

1. Тазалау алдында аппаратты розеткадан ешіру және ашаны суыру ұсынылады.
2. Тазалау үшін ешқашан ешбір өткір құралдарды немесе абразивті заттарды, сабында, тұрмыстық тазалағышты, жуғыш затты немесе балауызды пайдаланбаңыз.
3. Аппарат корпусын жылы сумен тазалап, құрғақ болғанша сүртіңіз.
4. Ішін су пинтасына бір шай қасық сода бикарбонаты қосылған ерітіндіге малынған ылғалды шүберекпен сүртіп, құрғақ болғанша сүртіңіз.
5. Температураны басқару қорабына су кірмеуін қамтамасыз етіңіз.
6. Егер аппарат ұзақ уақыт бойы пайдаланылмайтын болса, бүкіл тамақты алыңыз, оны тазалаңыз және есікті ашық қалдырыңыз.
7. Жоғары сапалы бояу жылтырын қорғау үшін өнімнің металл бөліктерін (мысалы, есіктің сыртын, корпус бүйірлерін) силикон балауызбен (көлік жалтыратқышы) сүрту ұсынылады.
8. Аппараттың артында орналасқан конденсаторда жиналған бүкіл шаңды жылына бір рет шаңсорғышпен тазалау керек.
9. Тұрақты түрде есік тығыздағыштарының таза және тамақ қалдықтары жоқ екенін тексеріңіз.

10. Ешқашан:

- Аппаратты жарамайтын материалмен, мысалы, бензин қосылған өнімдермен тазаламаңыз.
- Оған жоғары температуралардың әсер етуін болдырмаңыз,
- Абразивті материалмен қырмаңыз, үйкемеңіз, т.б.

11. Сүт өнімі бөлімінің қақпағын және есік науасын алу:

- Сүт өнімдері бөлімінің қақпағын алу үшін алдымен қақпақты шамамен бір дюймге көтеріп, қақпақты саңылау бар жерінен тартып алыңыз.
- Есік науасын алу үшін бүкіл өнімдерді алып, содан кейін жай есік науасын негізден жоғары қарай итеріңіз.

12. Еріген суды жинатын аппараттың артындағы арнайы пластик ыдыс әрқашан таза болуын қамтамасыз етіңіз. Науаны тазалау үшін алу керек болса, төмендегі нұсқауларды орындаңыз.

- Розетканы өшіріп, ашаны суырыңыз.
- Тістеуікті пайдаланып компрессордағы стерженьді науаны алуға болатындай жайлап босатыңыз
- Оны жоғары көтеріңіз.
- Тазалап, құрғағанша сүртіңіз
- Кері ретпен әрекеттерді орындау арқылы қайта жинаңыз

13. Науаны алу үшін мүмкіндігінше тартып шығарып, жоғары еңкейтiңiз, содан кейiн толығымен тартып шығарыңыз.

Есікті қайта орналастыру

Сандық ретпен жалғастырыңыз (12-элемент).

Істеуге болатын және болмайтын нәрселер

- Істеуге болатын нәрсе-** Аппаратты тұрақты түрде тазалау.
- Істеуге болатын нәрсе-** Шикі етті және құс етін әзірленген тамақ пен сүт өнімдерінің астында сақтау.
- Істеуге болатын нәрсе-** Көкөністердегі бүкіл пайдаланылмаған жапырақтарды алып, топырақты сүрту.
- Істеуге болатын нәрсе-** Латукты, орамжапырақты, ақжелкенді және түсті орамжапырақты тамырында қалдыру.
- Істеуге болатын нәрсе-** Ірімшікті алдымен май өткізбейтін қағазға ораңыз, содан кейін полиэтилен пакетке ораңыз, ауаны мүмкіндігінше шығарыңыз. Ең жақсы нәтижелер алу үшін жеу алдында тоңазыту бөлімінен бір сағат бұрын шығарыңыз.
- Істеуге болатын нәрсе-** Шикі етті және құс етін полиэтилен пакетке немесе алюминий фольгаға бос ораңыз. Бұл құрғауды болдырмайды.
- Істеуге болатын нәрсе-** Балық пен ішек-қарынды полиэтилен пакеттерге ораңыз.
- Істеуге болатын нәрсе-** Иісі күшті немесе құрғап кетуі мүмкін тамақты полиэтилен пакеттерге немесе алюминий фольгаға ораңыз я болмаса ауа өткізбейтін ыдысқа салыңыз.
- Істеуге болатын нәрсе-** Балғын сақтау үшін нанды жақсылап ораңыз.
- Істеуге болатын нәрсе-** Ақ шараптарды, сыраны, жеңіл сыраны және минералды суды беру алдында салқындату.
- Істеуге болатын нәрсе-** Кейде мұздатқыш ішін тексеріңіз.
- Істеуге болатын нәрсе-** Тамақты мүмкіндігінше аз уақыт сақтаңыз және «Пайдалану мерзімі», «Дейін пайдалану», т.б. күндерді сақтаңыз.
- Істеуге болатын нәрсе-** Коммерциялық әдіспен мұздатылған тамақты орамаларда берілген нұсқауларға сай сақтаңыз.
- Істеуге болатын нәрсе-** Әрқашан жоғары сапалы балғын тамақты таңдаңыз және мұздату алдында оны мұқият тазалаңыз.
- Істеуге болатын нәрсе-** Тез мұздату үшін балғын тамазқы мұздатуға шағын бөліктермен дайындаңыз.
- Істеуге болатын нәрсе-** Бүкіл тамақты алюминий фольгаға немесе мұздатқышқа арналған полиэтилен пакеттерге ораңыз және ауаны шығарыңыз.
- Істеуге болатын нәрсе-** Мұздатылған тамақты сатып алғаннан кейін бірден ораңыз және мұздатқышқа мүмкіндігінше тез салыңыз.

- Істеуге болмайтын нәрсе-** Тоңазыту бөлімінде банандарды сақтамаңыз.
- Істеуге болмайтын нәрсе-** Тоңазытқышта қауынды сақтау. Басқа тамақтың иісін алмауы үшін оны оралған күйде қысқа кезеңге салқындатуға болады.
- Істеуге болмайтын нәрсе-** Сөрелерді ауа айналымына кедергі жасауы мүмкін кез келген қорғағыш материалдармен жабу.
- Істеуге болмайтын нәрсе-** Аппаратты улы немесе кез келген қауіпті заттарды сақтау. Ол тек жеуге болатын тамақтарды сақтауға арналған.
- Істеуге болмайтын нәрсе-** Ұзақ уақыт бойы тоңазытылған тамақты жеу.
- Істеуге болмайтын нәрсе-** Әзірленген және балғын тамақты бір ыдыста сақтау. Оларды орау және бөлек сақтау керек.
- Істеуге болмайтын нәрсе-** Еріп жатқан тамақтың немесе тамақ шырынының тамаққа тамуына жол беру.
- Істеуге болмайтын нәрсе-** Есікті ұзақ кезеңдерге ашық қалдыру, өйткені бұл аппаратты пайдалануды шығынды етеді және шамадан тыс мұздың пайда болуына әкеледі.
- Істеуге болмайтын нәрсе-** Мұзды алу үшін пышақтар немесе шанышқылар сияқты өткір жиекті заттарды пайдалану.
- Істеуге болмайтын нәрсе-** Аппаратқа ыстық тамақты қою. Алдымен оны салқындатыңыз.
- Істеуге болмайтын нәрсе-** Сұйықтық толтырылған бөтелкелерді немесе карбонатты сұйықтықтарды қамтитын жабық консервілерді мұздатқышқа салу. Олар жарылуы мүмкін.
- Істеуге болмайтын нәрсе-** Балғын тамақты мұздату кезінде ең жоғары мұздату жүктемесін асыру.
- Істеуге болмайтын нәрсе-** Балаларға мұздатқыштан ала сала балмұздақты және мұзды беру. Төмен температура еріндерде «мұздатқыш күйіктерін» тудыруы мүмкін.
- Істеуге болмайтын нәрсе-** Газды сусындарды мұздату.
- Істеуге болмайтын нәрсе-** Ерітілген тамақты мұздатылған күйде сақтауға тырысыңыз; оны 24 сағат ішінде жеу немесе әзірлеп және қайта мұздату керек.
- Істеуге болмайтын нәрсе-** Мұздатқыштан тамақтарды ылғалды қолдармен алу.

Жұмыс шулары туралы ақпарат

Таңдалған температураны тұрақты етіп сақтау үшін аппарат кейде компрессорды ҚОСАДЫ. Нәтижесіндегі шулар қалыпты болып табылады.

Аппарат жұмыс температурасына жеткенде шулардың дыбыс деңгейі автоматты түрде төмендейді.

Мотор (компрессор) зыңылдайтын шу шығарады. Мотор ҚОСЫЛҒАНДЫ, шудың дыбыс деңгейі қысқа уақытқа артуы мүмкін. Таймердің орны ауысуына байланысты кейде кенет шыр еткен дыбыс естілуі мүмкін

Салқындатқыш түтіктерде аққанда көпіршіктену, сылдыраған немесе ысқырған дыбыс шығады.

Тұтқамен моторды ҚОСУ/ӨШІРУ кезінде шыр еткен дыбыс естіледі.

Шыр еткен дыбыс мына жағдайларда болуы мүмкін:

- жүйені автоматты еріту белсенді.
- аппарат салқындауда немесе қызуда (материалдың кеңеюі).

Егер бұл шулар тым қатты болса, себептер маңызды болмауы мүмкін және әдетте оларды кетіру оңай болады.

- Аппарат тегіс емес - биіктігі реттелетін табанды пайдаланыңыз немесе табан астына орама қойыңыз.
- Аппарат еркін тұрған жоқ - аппаратты асхана құралдарынан немесе басқа аппараттардан ары жылжытыңыз.
- Науалар, кәрзеңкелер немесе сөрелер бос немесе тығыз - ажыратылатын компоненттерді тексеріңіз және қажет болса, қайта орнатыңыз.
- Бөтелкелер және/немесе ыдыстар бір біріне тиіп тұр - бөтелкелерді және/немесе ыдыстарды бір бірінен ары жылжытыңыз.

Ақаулықтарды жою

Егер аппарат қосқанда жұмыс істемесе, мынаны тексеріңіз:


- Аша розеткаға тиісті түрде қосылған және қуат көзі қосулы. (Розеткадағы қуат көзін тексеру үшін басқа аппаратты қосыңыз)
- Сақтандырғыш күйіп кеткен/тізбекті ажыратқыш қосылған/негізгі тарату қосқышы өшірілген.

- Температураны басқару тетігі дұрыс орнатылған.
 - Орнатылған, құйылған ашаны ауыстырсаңыз, жаңа ашаға сым дұрыс қосылған.
- Егер жоғарыдағы тексерулердің бәрінен кейін аппарат әлі жұмыс істемей тұрса, құрылғыны сатып алған дилерге хабарласыңыз. Жоғарыдағы тексерулер орындалғанын тексеріңіз, өйткені ақаулық табылмаса, ақы алынады.

Техникалық деректер

Бренд	BEKO
Үлгі	* ** *
Аппарат түрі	КОМБИ МҰЗ ЖОҚ
Жалпы көлемі (л)	233
Жалпы пайдалануға болатын көлем (л)	228
Мұздатқыштың пайдалануға болатын көлемі (л)	49
Тоңазытқыштың пайдалы көлемі	179
Мұздату мүмкіндігі (кг/24 сағ)	4
Қуат сыныбы (1)	A
Қуатты тұтыну (кВт/жыл) (2)	288
Автономды (сағ)	12
Шу [дБ(A) re 1 pW]	41
Экологиялық тоңазыту заты R600a	
(1) Қуат сыныбы : A . . . G (A = үнемді . . . G = азырақ үнемді)	
(2) Нақты қуатты тұтыну пайдалану жағдайларына және аппараттың орнына байланысты.	



Өнімдегі немесе орамадағы  таңбасы бұл өнімге тұрмыстық қоқыс ретінде қарауға болмайтынын көрсетеді. Оны тиісті жинау орнына электр және электрондық жабдықтарды қайта өңдеу үшін тапсыру керек. Осы өнімнің дұрыс тасталуын қамтамасыз ету арқылы сіз осы өнімді тиісті түрде қоқысқа тастамау тудыруы мүмкін қоршаған орта және адамдардың денсаулығы үшін ықтимал теріс салдарларды болдырмайсыз. Осы өнімді қайта өңдеу туралы егжей-тегжейлі ақпаратты алу үшін жергілікті билік органдарына, тұрмыстық қоқысты тастау қызметіне немесе өнім



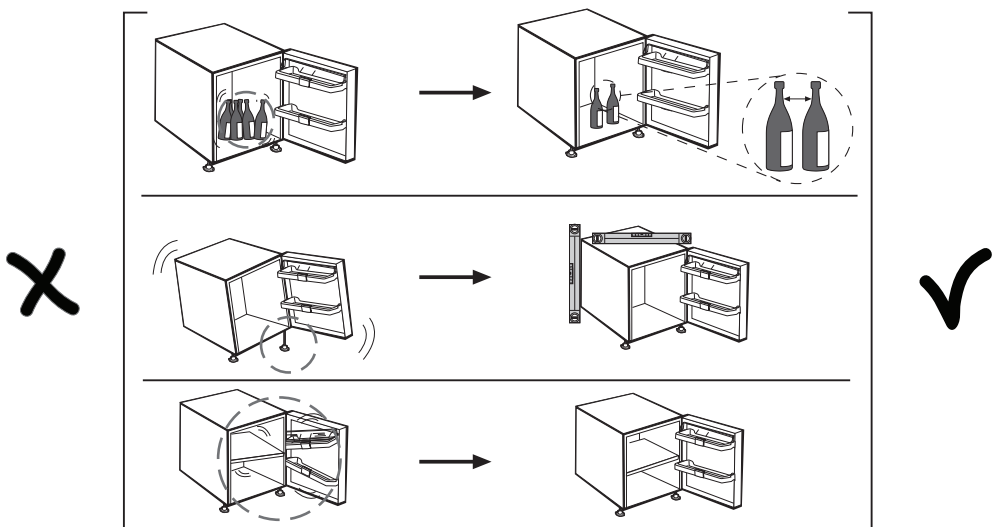
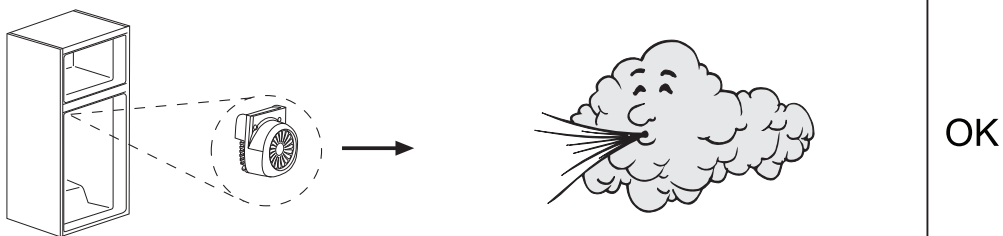
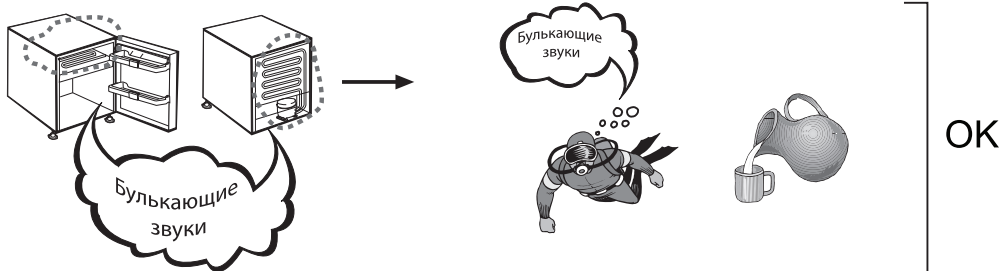
АЮ77

Продукция сертифицирована. Информация о сертификации по тел.
8-800-200-23-56 (звонок бесплатный). Произведено ООО «БЕКО» 601010
Россия, Владимирская область, Киржачский р-он, завод «БЕКО».

**Дата производства включена в серийный номер продукта,
указанный на этикетке, расположенной на продукте,
а именно: первые две цифры серийного
номера обозначают год производства,
а последние две – месяц.
Например, "10-100001-05» обозначает,
что продукт произведен в мае 2010 года.**

Изготовитель оставляет за собой право на внесение изменений в конструкцию,
дизайн и комплектацию электроприбора.

en-noises / rus-шумы



Действует только на территории РФ / Valid for Russian Federation only

ВЕКО

ГАРАНТИЯ 2 ГОДА

Адрес: ООО «БЕКО» 601010 Владимирская область Киржачский район завод «БЕКО». <http://www.beko.ru>
Телефон горячей линии **8-800-200-23-56** (Звонок бесплатный на всей территории России)

Гарантийный талон

Модель..... Серийный номер

Дата продажи

Компания

Подпись продавца

Печать

Дата установки

Компания

Подпись мастера

Печать

Покупатель Телефон

Фамилия, Имя, Отчество

Изделие проверялось в присутствии покупателя;

Покупатель с условиями гарантии ознакомлен

Подпись Покупателя



Отрывные купоны гарантийного талона являются средством отчетности о выполнении сервисным центром гарантийных работ. Купон изымается из гарантийного талона после удовлетворения Ваших претензий.

ВЕКО

Дата продажи

.....
ПЕЧАТЬ
МАГАЗИНА

3

Гарантия 2 года

ВЕКО

Дата продажи

.....
ПЕЧАТЬ
МАГАЗИНА

2

Гарантия 2 года

ВЕКО

Дата продажи

.....
ПЕЧАТЬ
МАГАЗИНА

1

Гарантия 2 года